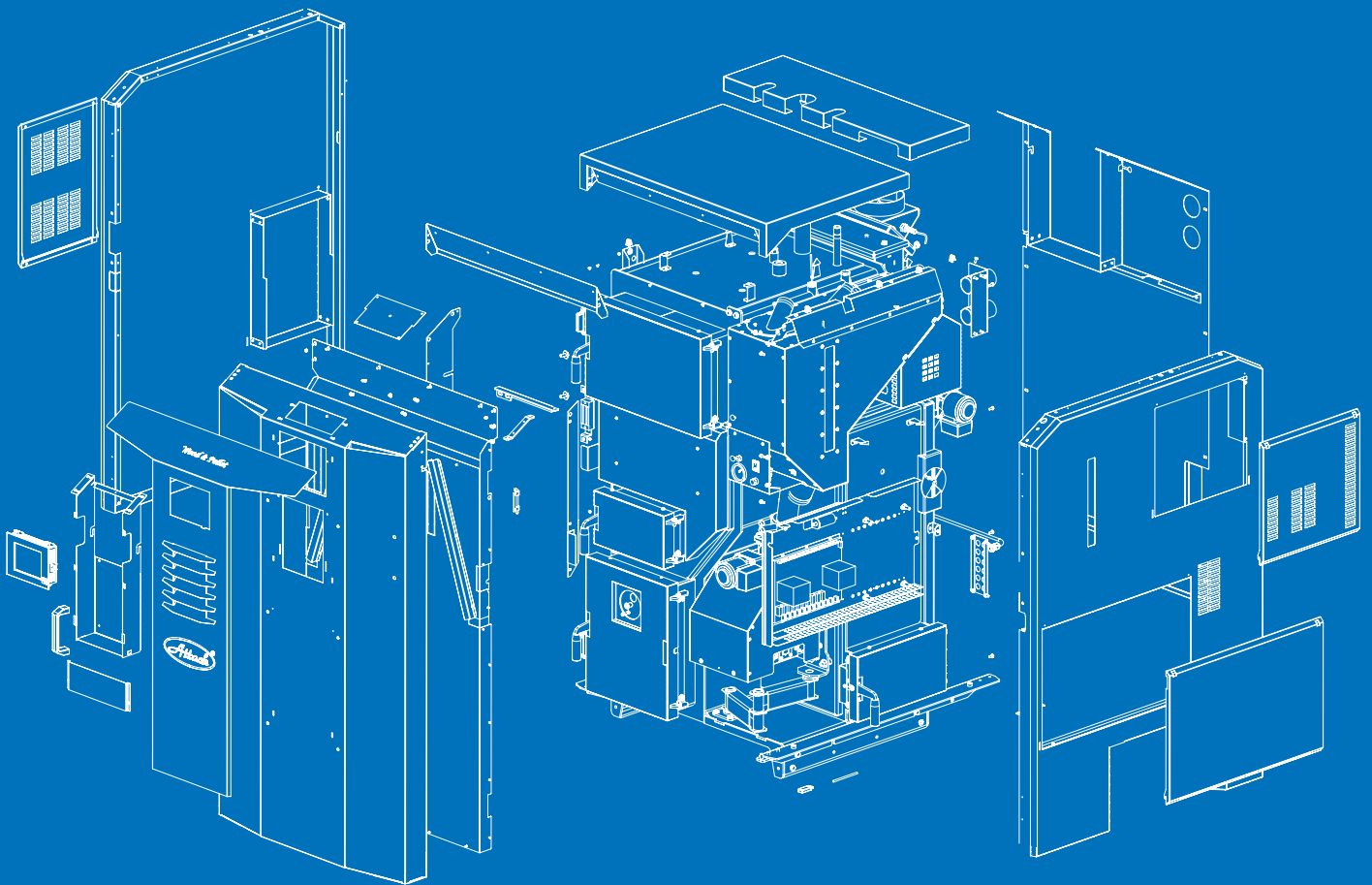




**HEAT TECHNOLOGY MANUFACTURER**



# Katalóg náhradných dielov

Katalog náhradních dílů - Spare parts catalogue - Ersatzteilkatalog  
Catalog de piese de schimb - Alkatrész katalógus

# 2019



[www.attack.sk](http://www.attack.sk)



ATTACK FD, FD AUTOMAT  
ATTACK PELLET BURNER AUTOMATIC, BIOHEAT, PEL, PED,  
ATTACK FD SOLID FIRE

3 - 6  
7 - 14  
16 - 17



ATTACK DP STANDART, PROFI  
ATTACK DPX STANDART, PROFI, LAMBDA, COMBI PELLET  
ATTACK SLX PROFI, LAMBDA TOUCH  
ATTACK PV150

18 - 25  
26 - 39  
40 - 57  
15



ATTACK PELLET 30 AUTOMATIC PLUS

58 - 61



ATTACK WOOD&PELLET

62 - 69



ATTACK KST, KZT, KT, KT SMALL  
ATTACK RZK

70 - 75  
86 - 88



ATTACK EKO, PLQ, KLV, KLQ, E, EZ  
ATTACK SV

76 - 84  
85



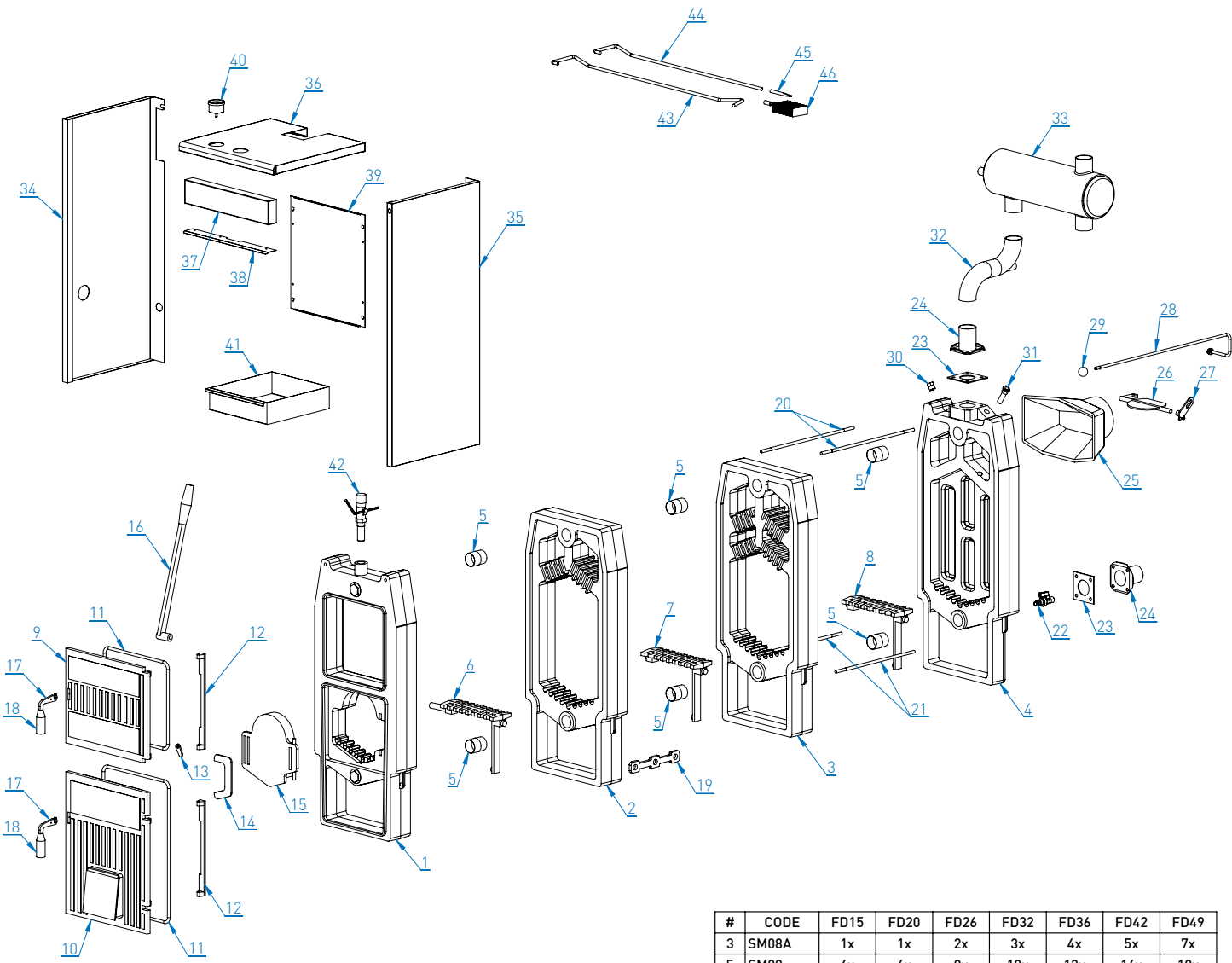
ATTACK EASY, EXCELLENT

89 - 91



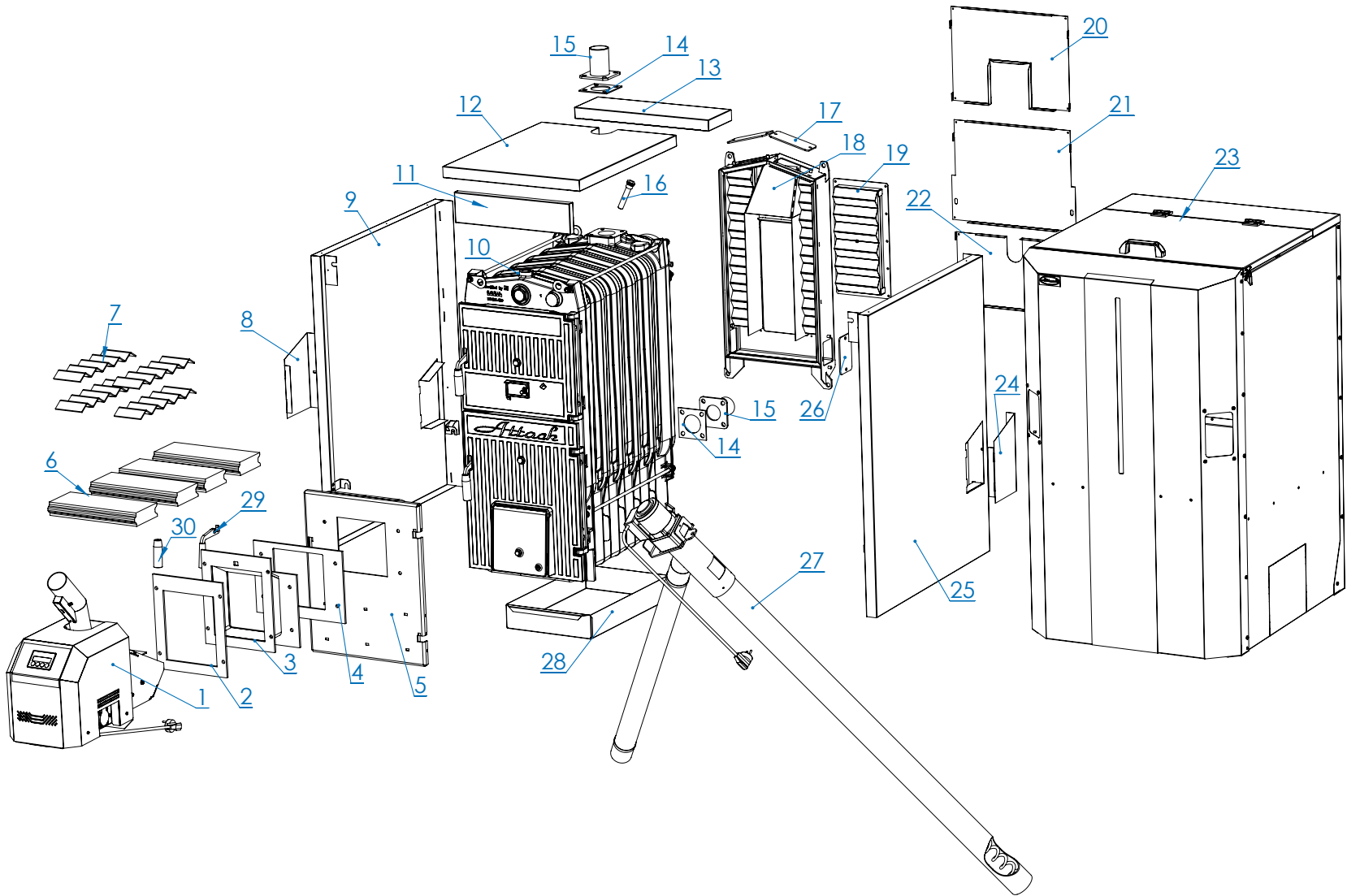
ATTACK 100Z, PZO PLUS

92 - 94

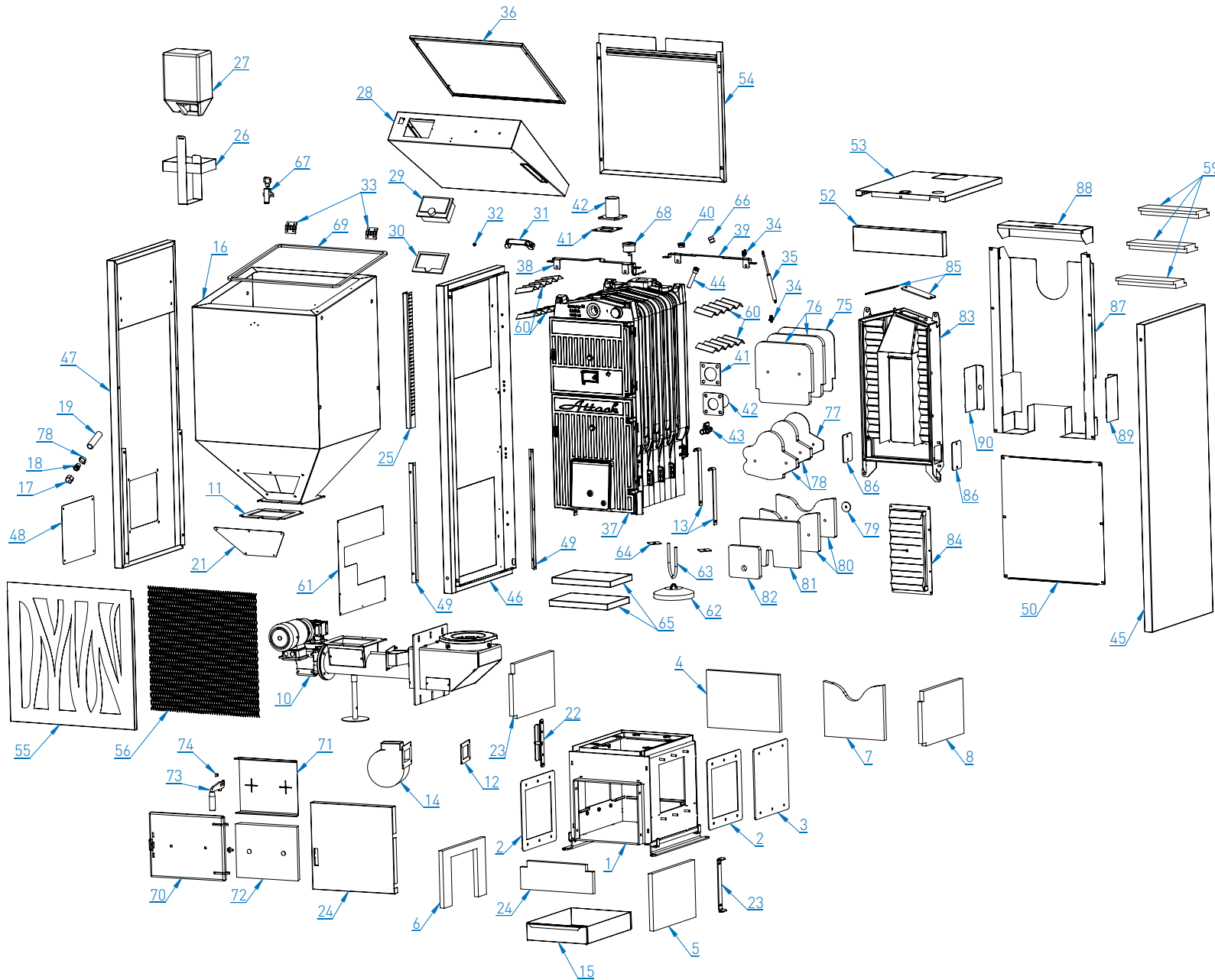


#	CODE	FD15	FD20	FD26	FD32	FD36	FD42	FD49
3	SM08A	1x	1x	2x	3x	4x	5x	7x
5	SM09	4x	6x	8x	10x	12x	14x	18x
7	SM26A	0x	1x	2x	3x	4x	5x	7x

#	CODE	TYPE	#	CODE	TYPE
1	SM08			SM20B	FD32
2	SM08B	FD20-49		SM20C	FD36
3	SM08A			SM20D	FD42
4	SM08C			SM20E	FD49
5	SM09		29	DPD25021	
6	SM26	FD20-49	30	OT11	
7	SM26A	FD20-49	31	SM28	
8	SM26B	FD20-49	32	UK01F	
9	SM17		33	UK01E	
10	SM22		34	SM07A2	FD15
11	SM23			SM01A2	FD20
12	SM12			SM02A2	FD26
13	SM25			SM03A2	FD32
14	SM24			SM04A2	FD36
15	SM14			SM05A2	FD42
16	SM27	FD20-49		SM06A2	FD49
17	SM15		35	SM07A1	FD15
18	SM16			SM01A1	FD20
19	SM01D	FD20		SM02A1	FD26
	SM02D	FD26		SM03A1	FD32
	SM03D	FD32		SM04A1	FD36
	SM04D	FD36		SM05A1	FD42
	SM05D	FD42		SM06A1	FD49
	SM06D	FD49	36	SM07A5	FD15
20	SM07B	FD15		SM01A5	FD20
	SM01B	FD20		SM02A5	FD26
	SM02B	FD26		SM03A5	FD32
	SM03B	FD32		SM04A5	FD36
	SM04B	FD36		SM05A5	FD42
	SM05B	FD42		SM06A5	FD49
	SM06B	FD49	37	SM01A4	
21	SM07C	FD15	38	SM01A6	
	SM01C	FD20	39	SM01A3	
	SM02C	FD26	40	TS099A	
	SM03C	FD32	41	SM07A7	FD15
	SM04C	FD36		SM01A7	FD20
	SM05C	FD42		SM02A7	FD26
	SM06C	FD49		SM03A7	FD32
22	TS103			SM04A7	FD36
23	UK01T			SM05A7	FD42
24	UK15			SM06A7	FD49
25	SM18		42	OT48	
26	SM13		43	SM40	
27	SM19		44	SM41	
28	SM20F	FD15	45	SM42	
	SM20	FD20	46	SM45	
	SM20A	FD26			

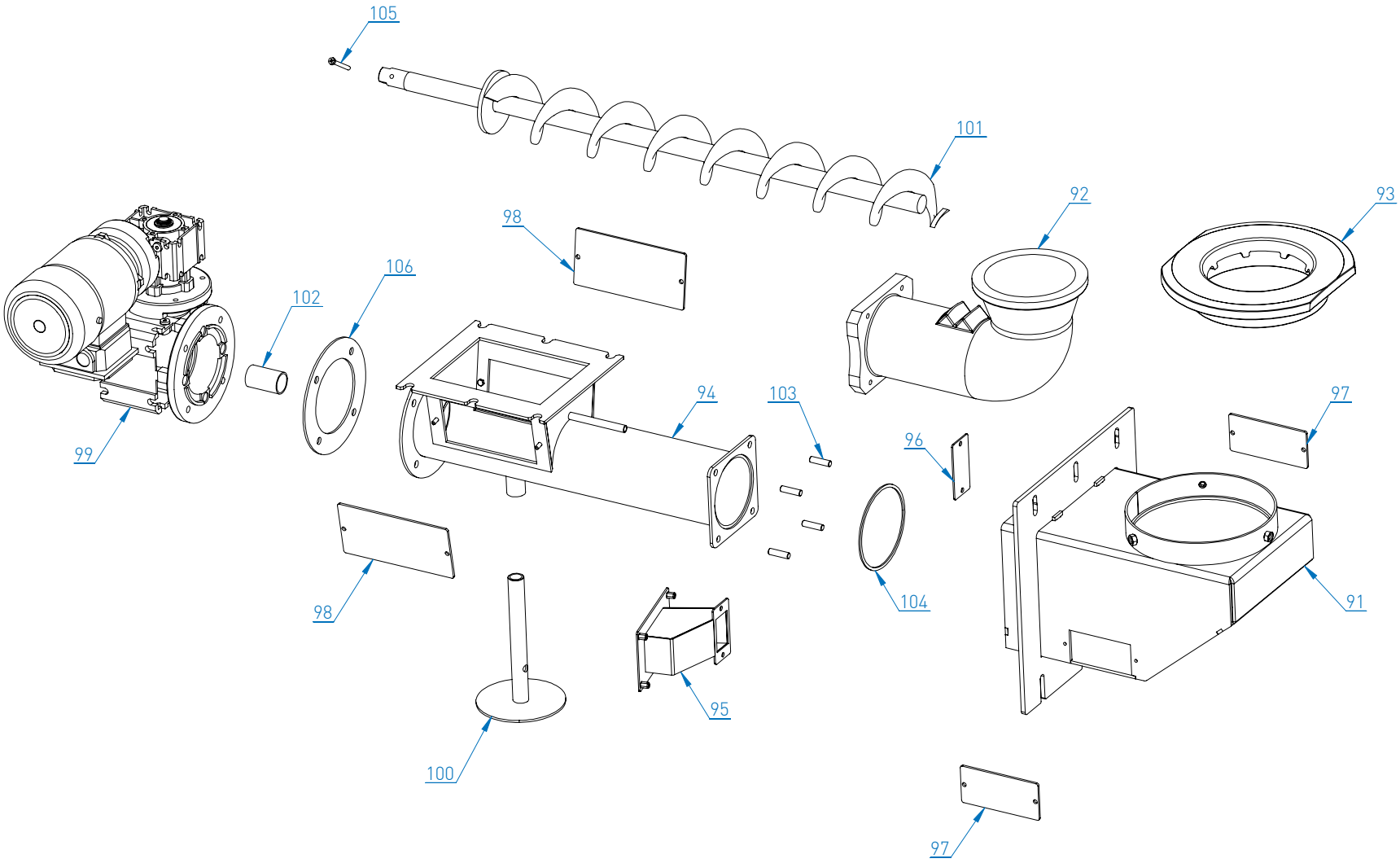


#	CODE
1	PELH30A
2	PELH30996
3	PELH30990
4	PELH30995
5	PELH30998
6	FDA100
7	FDA80
8	SMA017
9	SMA013
10	SM03
11	SMA020
12	SMA016
13	SMA015
14	UK01T
15	UK15
16	DPD25011
17	FDA409
18	FDA933
19	FDA935
20	SMA021
21	SMA019
22	SMA022
23	PEL5000
24	SMA018
25	SMA014
26	FDA422
27	PED150
	PED200
	PED250
28	SM03A7
29	SM15
30	SM16

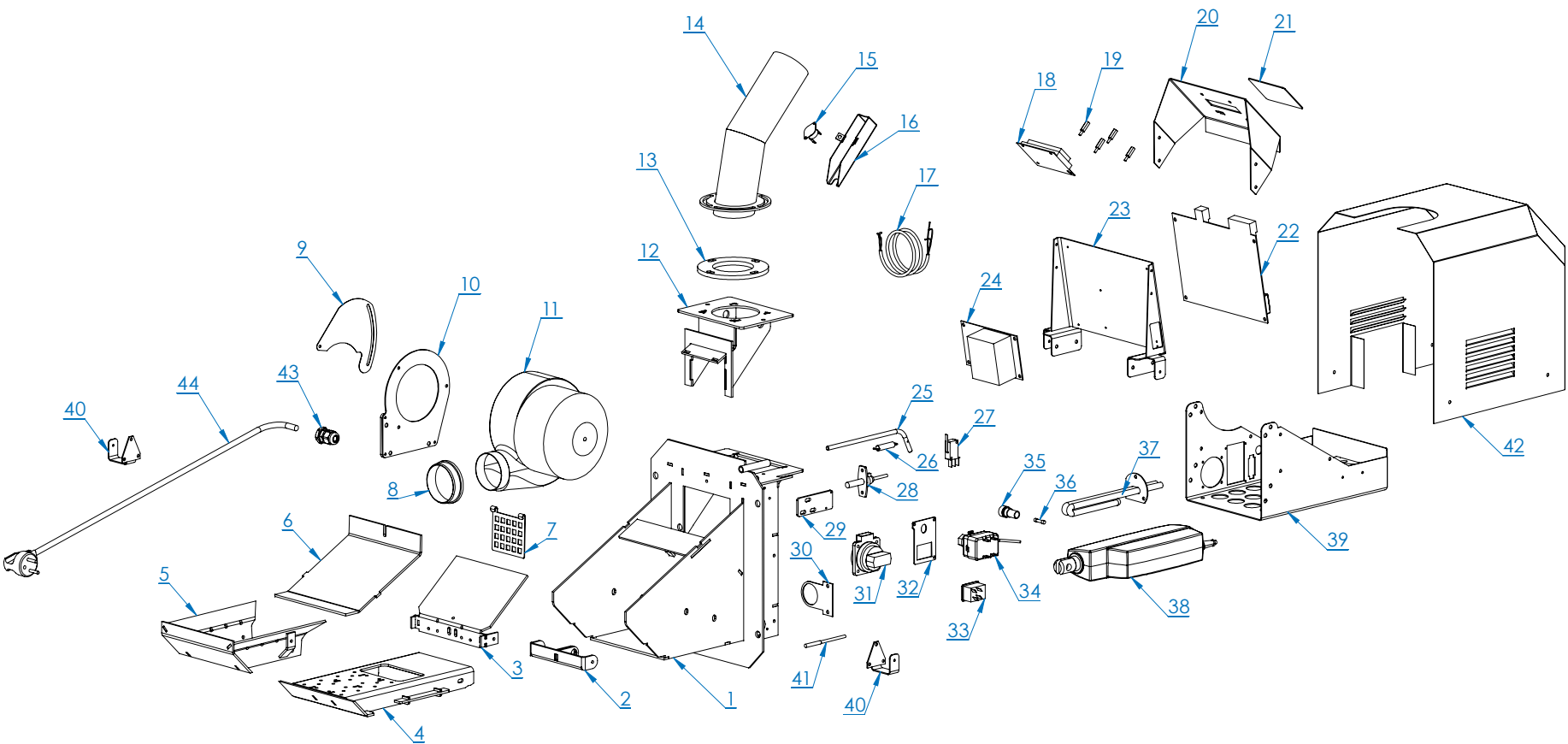


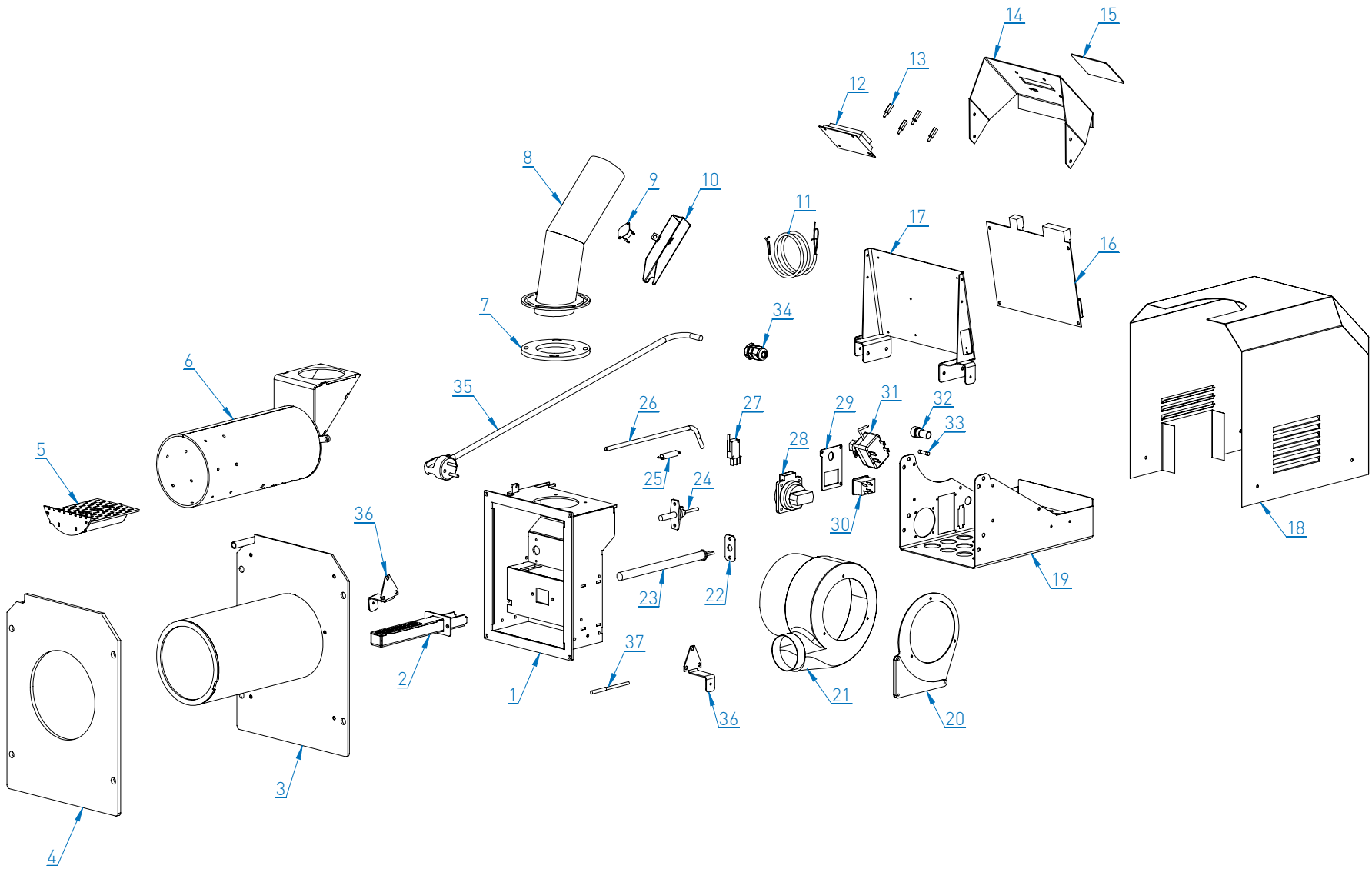
#	CODE	#	CODE
1	FDA900B	41	UK01T
2	FDA032	42	UK15
3	FDA064A	43	TS103
4	FDA110	44	DPD25011
5	FDA111	45	FDA020
6	FDA112	46	FDA019
7	FDA113	47	FDA901
8	FDA114	48	FDA034
9	FDA115	49	FDA031
10	FDA930	50	FDA029
11	FDA067	52	FDA040
12	FDA086	53	FDA025
13	FDA109	54	FDA913
14	FDA101	55	FDA903A
15	SM02A7	56	FDA026
16	FDA911B	59	FDA100
17	FDA950	60	FDA080
18	FDA207	61	FDA131
19	FDA208	62	FDA311
20	FDA209	63	FDA168
21	FDA033A	64	FDA130
22	FDA906	65	PEL0140A
23	FDA018	66	OT11
24	FDA907	67	FDA107
25	RE221	68	TS099A
26	FDA119	69	FDA082A
27	FDA210	70	FDA909
28	FDA915A	71	FDA077
29	FDA300A	72	FDA078
29	FDA300B	73	ADF25807
29	FDA300C	74	ADF25223
29	FDA300D	75	FDA320A
29	FDA300E	76	FDA325
29	FDA300F	77	FDA322
29	FDA300G	78	FDA326
29	FDA300H	79	FDA321
29	FDA300I	80	FDA327
30	FDA301	81	FDA063
31	FDA304	82	FDA328
32	FDA203	83	FDA933
33	ADF25957	84	FDA935
34	FDA125	85	FDA409
35	FDA400	86	FDA422
36	FDA090	87	FDA425
37	SM02X	88	FDA426
38	FDA021	89	FDA427
39	FDA022	90	FDA428
40	FDA200		

#	CODE
91	FDA920
92	FDA133
93	FDA132
94	FDA922A
95	FDA923
96	FDA156
97	FDA157
98	FDA158
99	FDA310
100	FDA924
101	FDA925
102	FDA161
103	SP221
104	FDA167
105	SP63
106	FDA172



#	CODE
1	PELH30900A
2	H30921C
3	H30930A
4	H30920B
5	H30940A
6	H30001
7	H30009A
8	PR15
9	H30012A
10	H30952
11	H30982
12	H30961B
13	PELH30851
14	PELH30800A
15	TS215
16	PELH30807B
17	H30016E
18	H30809
19	H30820
20	H30970A
21	H30808
22	H30806B
23	H30951B
24	H30807
25	H30118C
26	H30014
27	H30804
28	H30803
29	H30003A
30	H30002
31	TH31
32	PELH30842
33	TH23A
34	OT19C
35	TH05A
36	TH06B
37	H30980
38	ADF25640
39	PELH30830A
40	H30008
41	H30813A
42	H30701C
43	TS094A
44	TS091

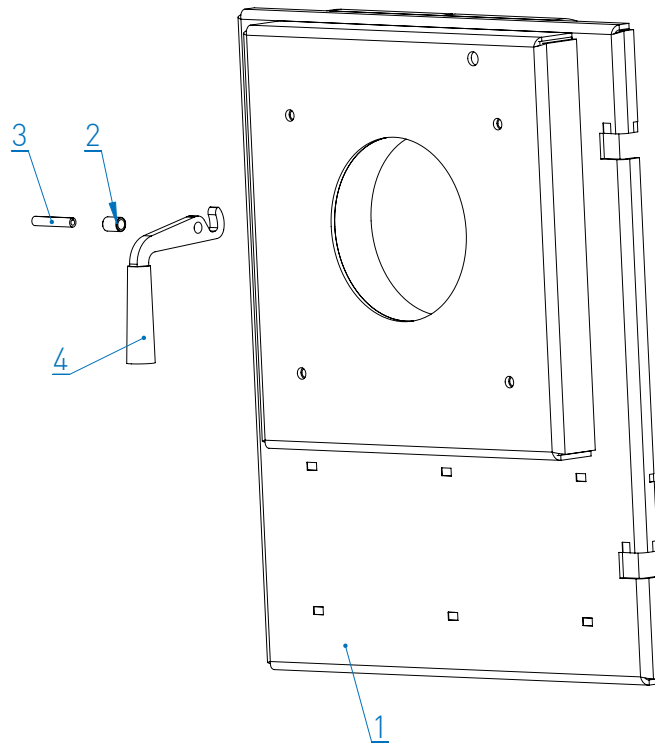




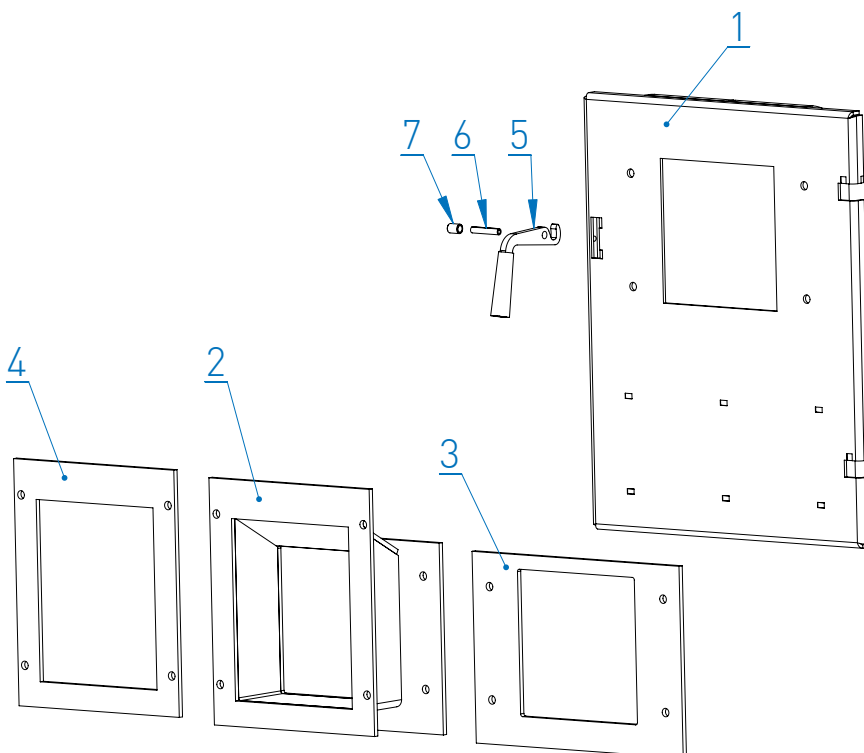
#	CODE
1	PELH30710
2	PELH30711
3	PELH30620
4	PEL30680
5	PELH30903A
6	PELH30610A
7	PELH30851
8	PELH30800A
9	TS215
10	PELH30807B
11	H30016D
12	H30809
13	H30820
14	H30970A
15	H30808
16	H30806B
17	H30951B
18	H30701C
19	PELH30830A
20	PELH30630
21	H30984
22	PELH30664
23	H30980A
24	H30803
25	H30014
26	PELH30678
27	H30804
28	TH31
29	PELH30842
30	TH23A
31	OT19C
32	TH05A
33	TH06B
34	TS094A
35	TS091
36	PEL30615
37	H30813A



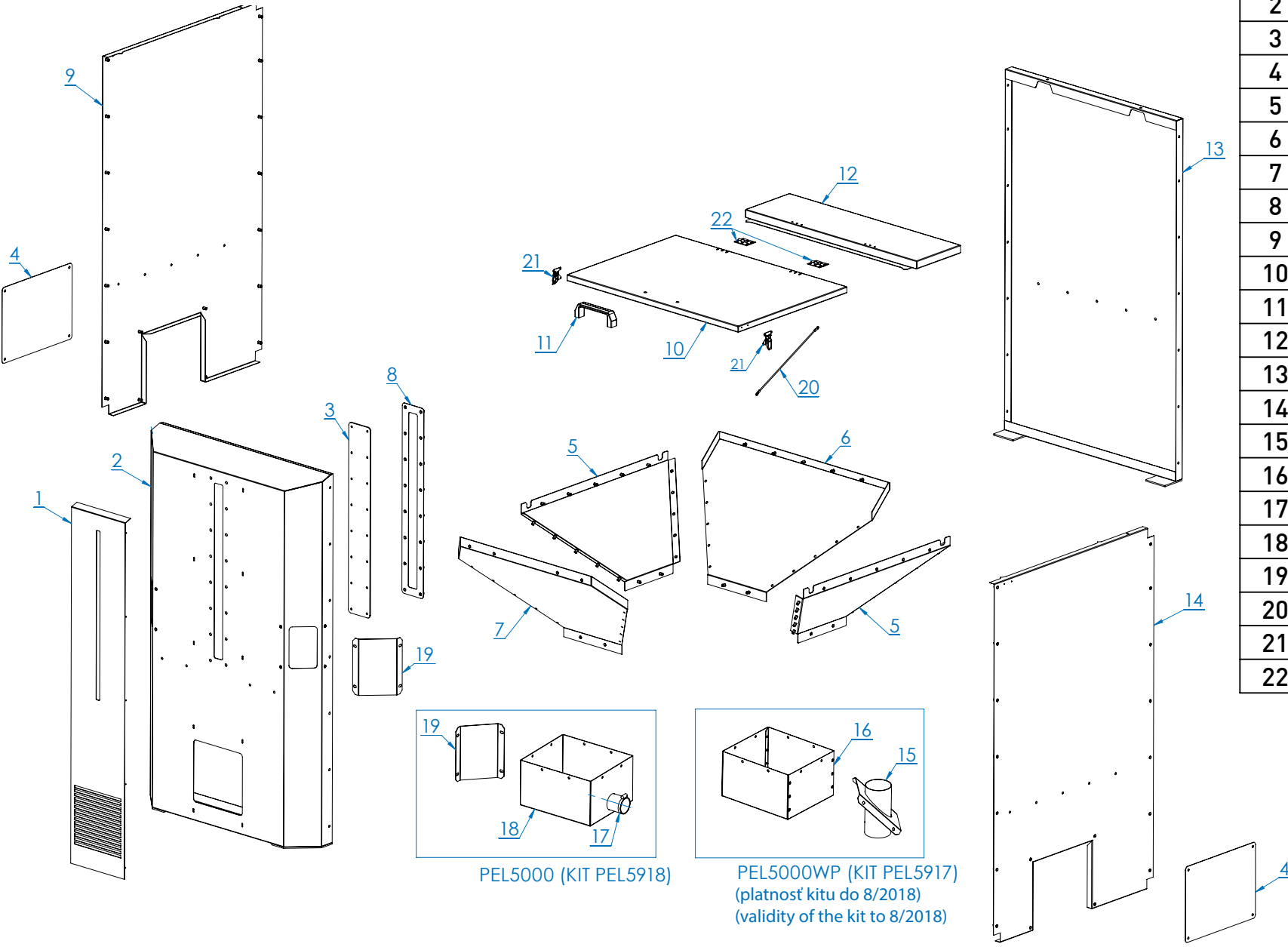
#	CODE
1	PELH30997
2	PELH30970
3	SP176
4	SM15



#	CODE
1	PELH30980
2	PELH30990
3	PELH30995
4	PELH30996
5	SM15
6	SP176
7	PELH30970

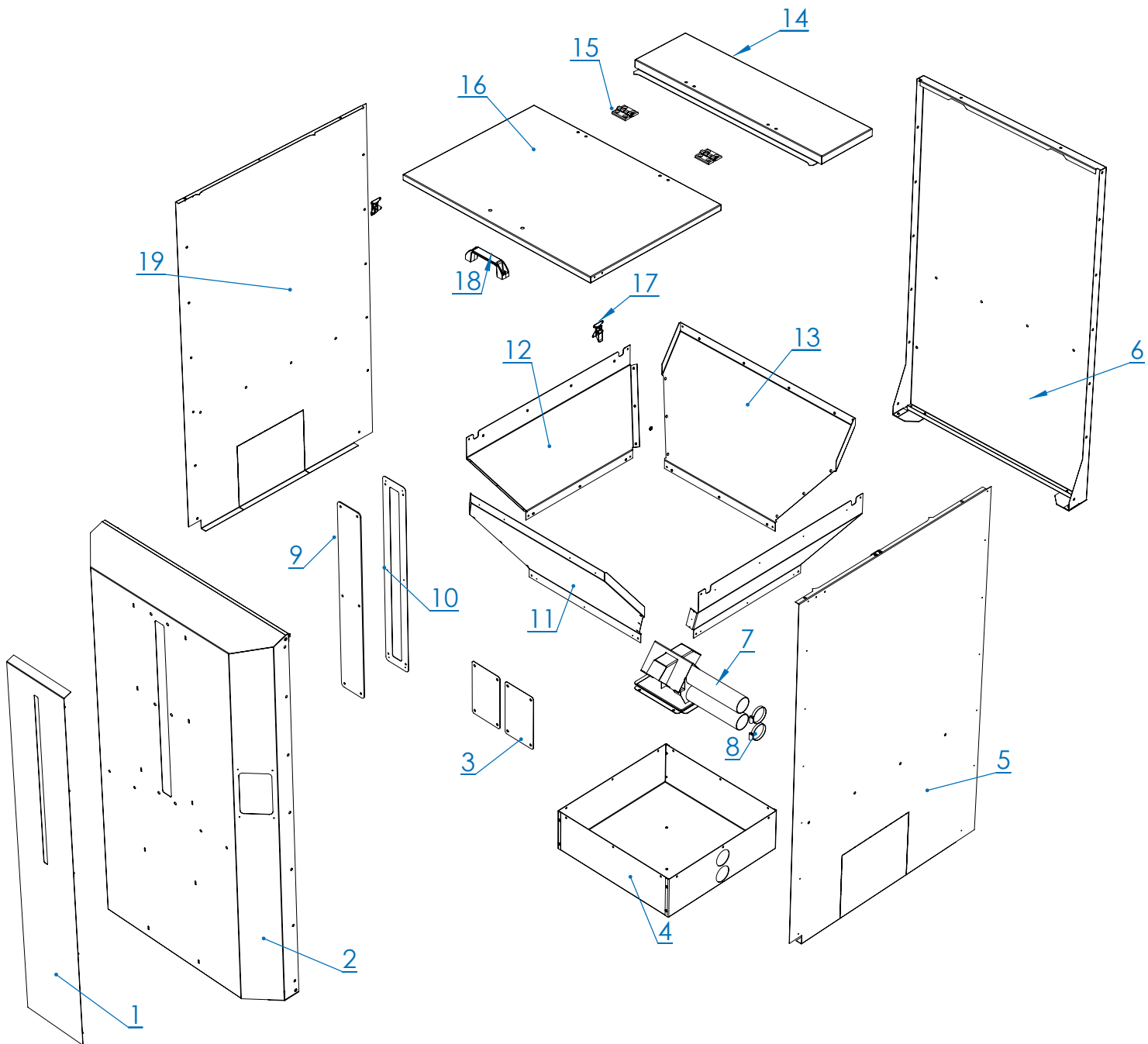


#	CODE
1	PEL5914A
2	PEL5901B
3	PEL5032
4	PEL5014
5	PEL5902A
6	PEL5907
7	PEL5909
8	PEL5906
9	PEL5903A
10	PEL5913A
11	PEL801
12	PEL5915A
13	PEL5908A
14	PEL5905A
15	PEL9717
16	PEL5916
17	ADF25618
18	PEL5911
19	PEL5028
20	PEL5919
21	PEL802
22	SS01



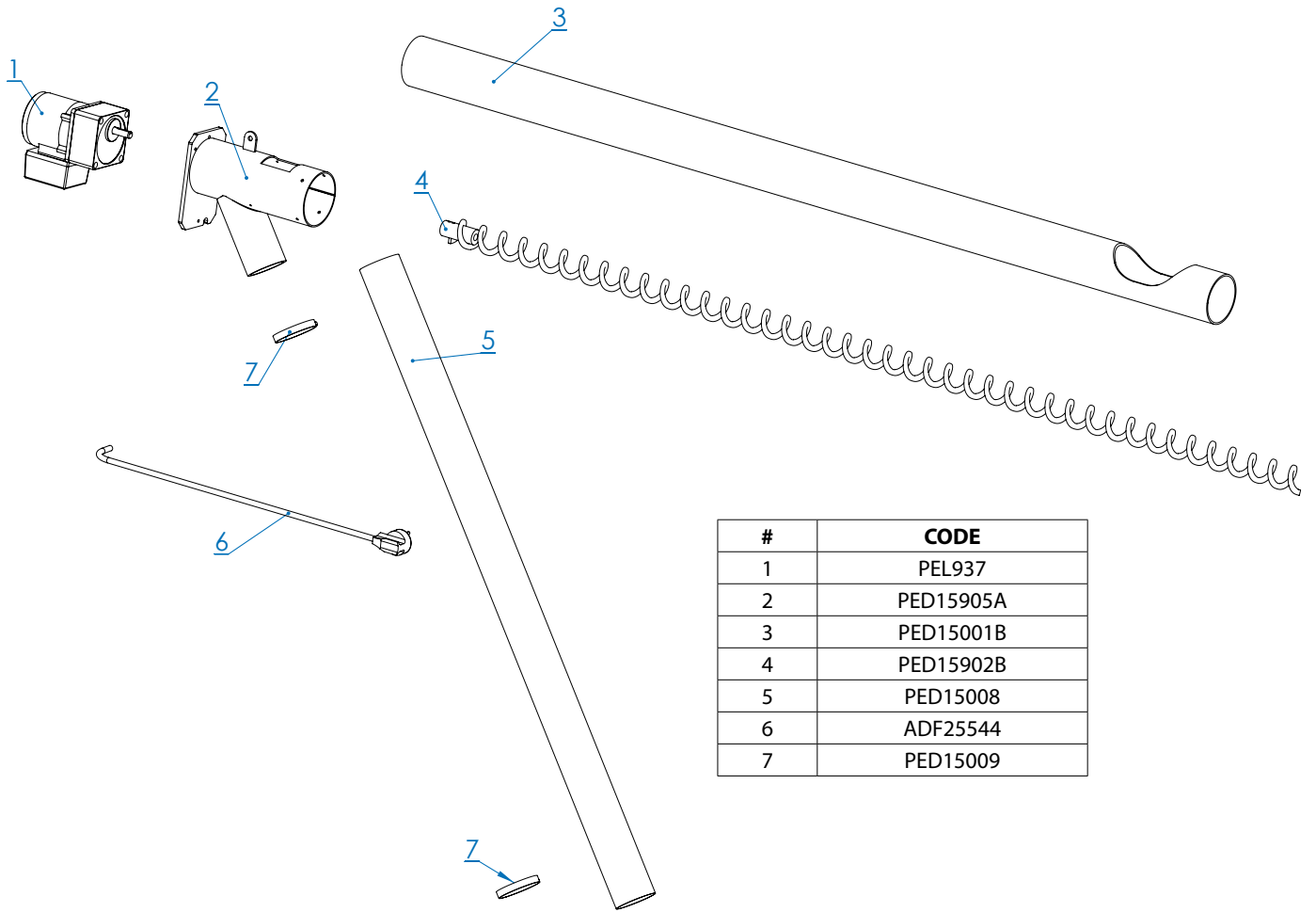
PEL5000 (KIT PEL5918)

PEL5000WP (KIT PEL5917)  
(platnosť kitu do 8/2018)  
(validity of the kit to 8/2018)

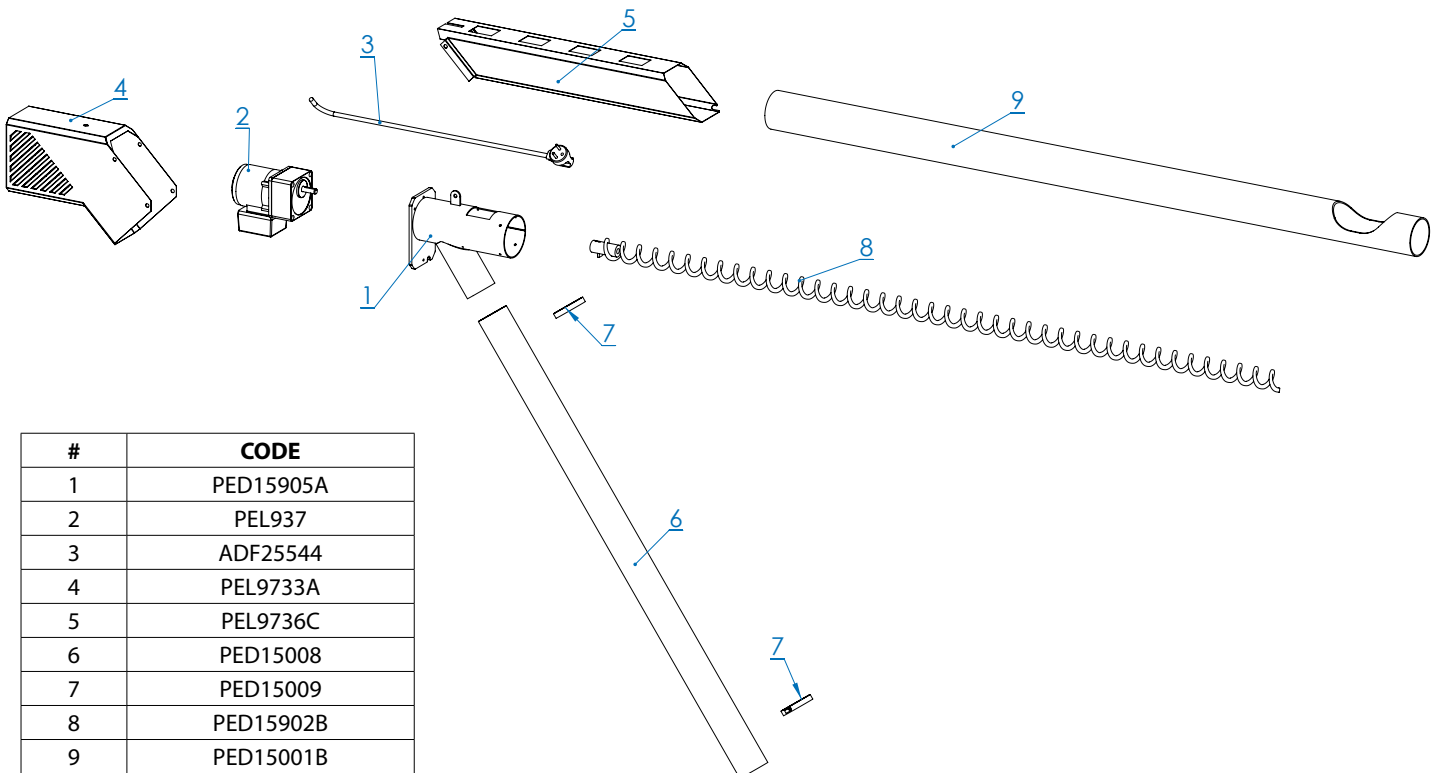


#	CODE
1	PEL5914B
2	PEL5901B
3	PEL5028
4	PEL5921
5	PEL5905C
6	PEL5908C
7	PEL5920
8	ADF25618
9	PEL5032A
10	PEL5010A
11	PEL5044A
12	PEL5046A
13	PEL5045A
14	PEL5005B
15	ADF25957
16	PEL5913C
17	PEL802
18	FDA304
19	PEL5012C





#	CODE
1	PEL937
2	PED15905A
3	PED15001B
4	PED15902B
5	PED15008
6	ADF25544
7	PED15009

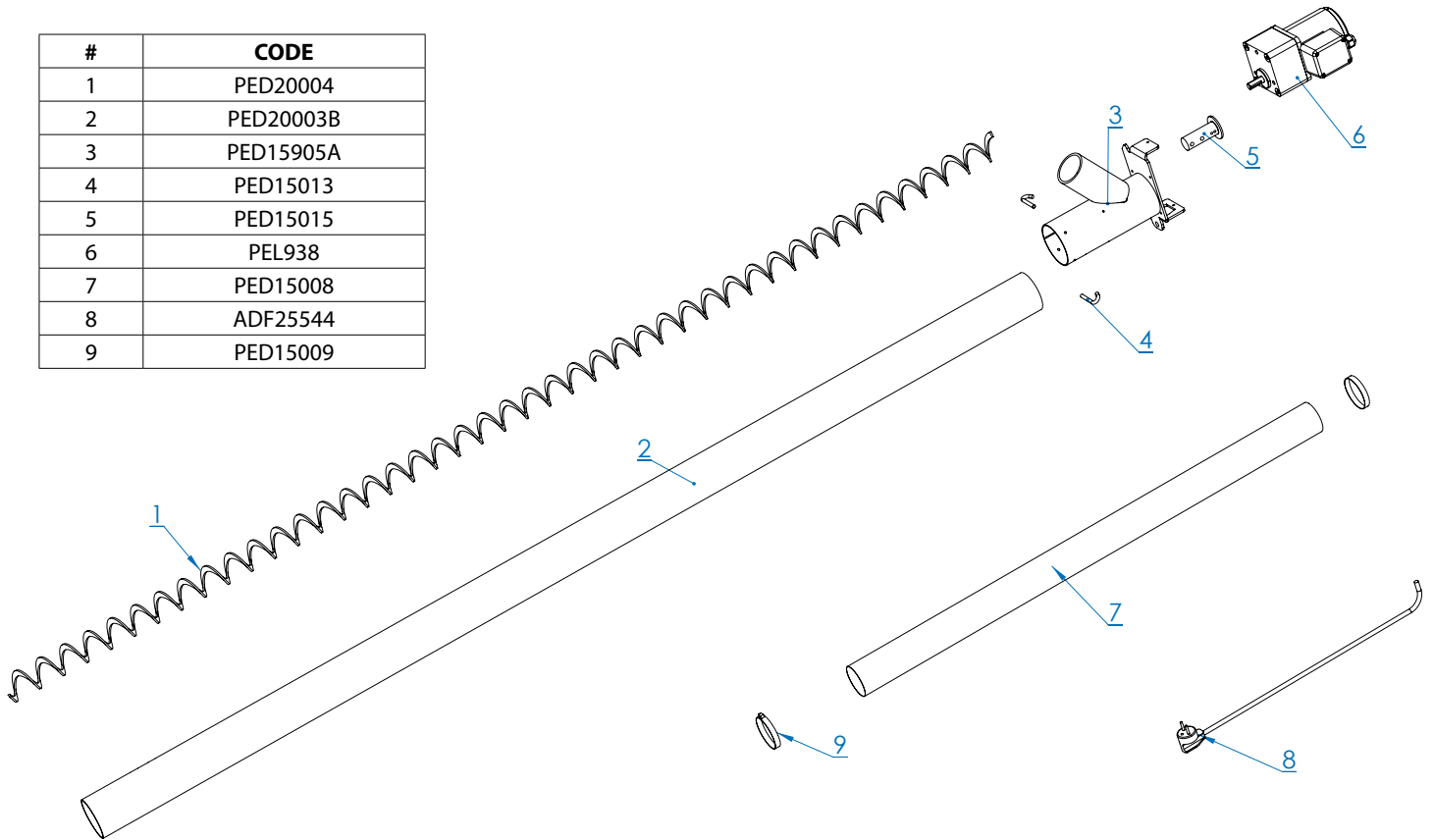


#	CODE
1	PED15905A
2	PEL937
3	ADF25544
4	PEL9733A
5	PEL9736C
6	PED15008
7	PED15009
8	PED15902B
9	PED15001B

# ATTACK PED 210

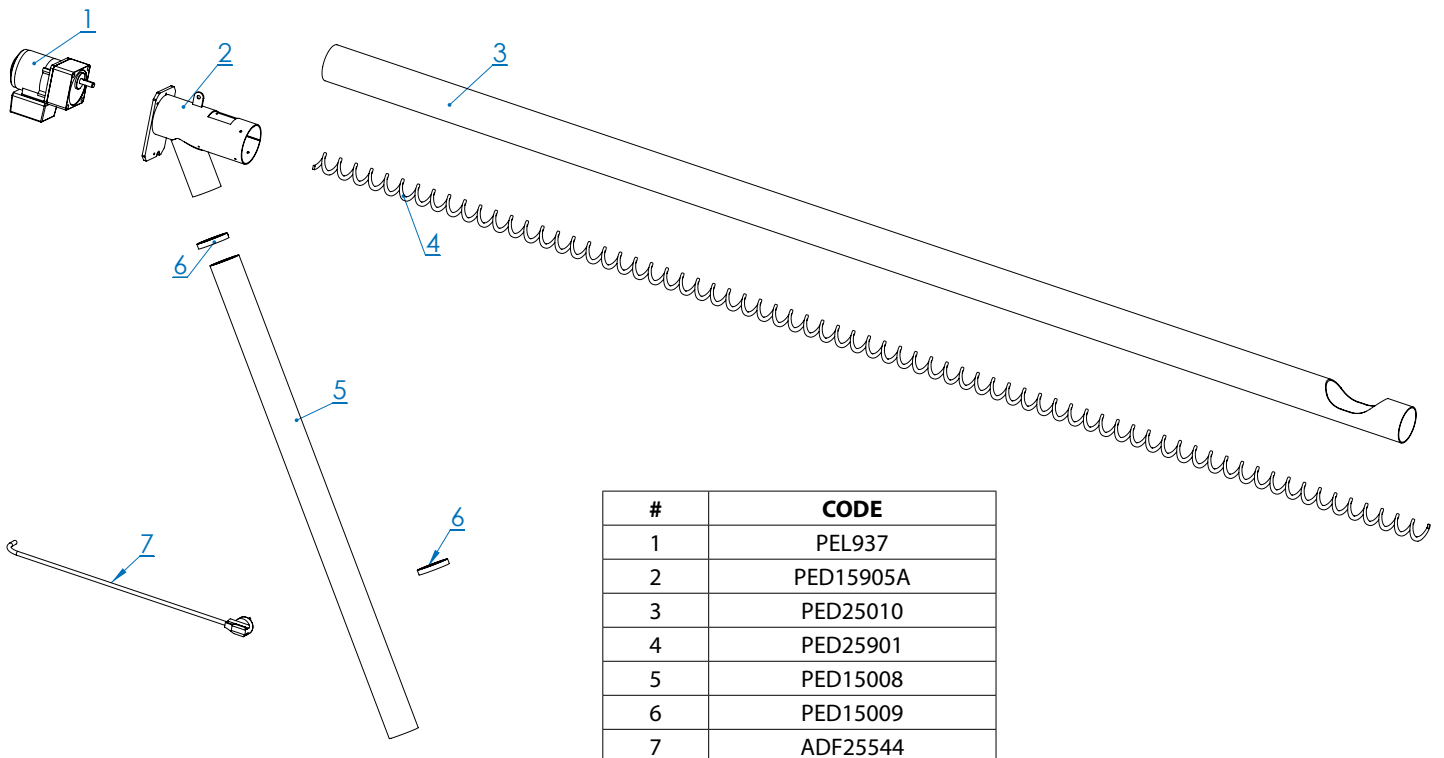
1/2019 -

#	CODE
1	PED20004
2	PED20003B
3	PED15905A
4	PED15013
5	PED15015
6	PEL938
7	PED15008
8	ADF25544
9	PED15009



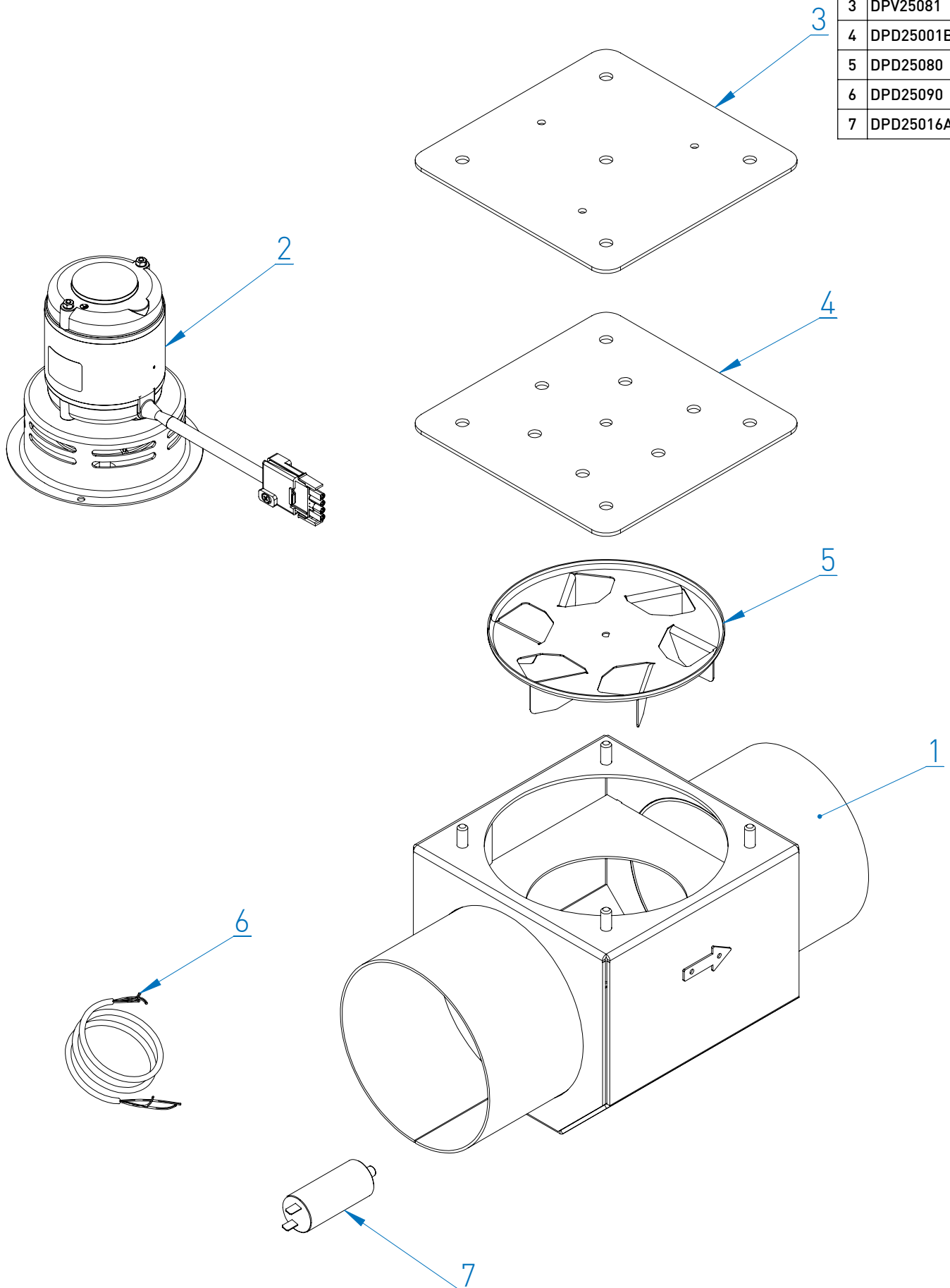
# ATTACK PED 250

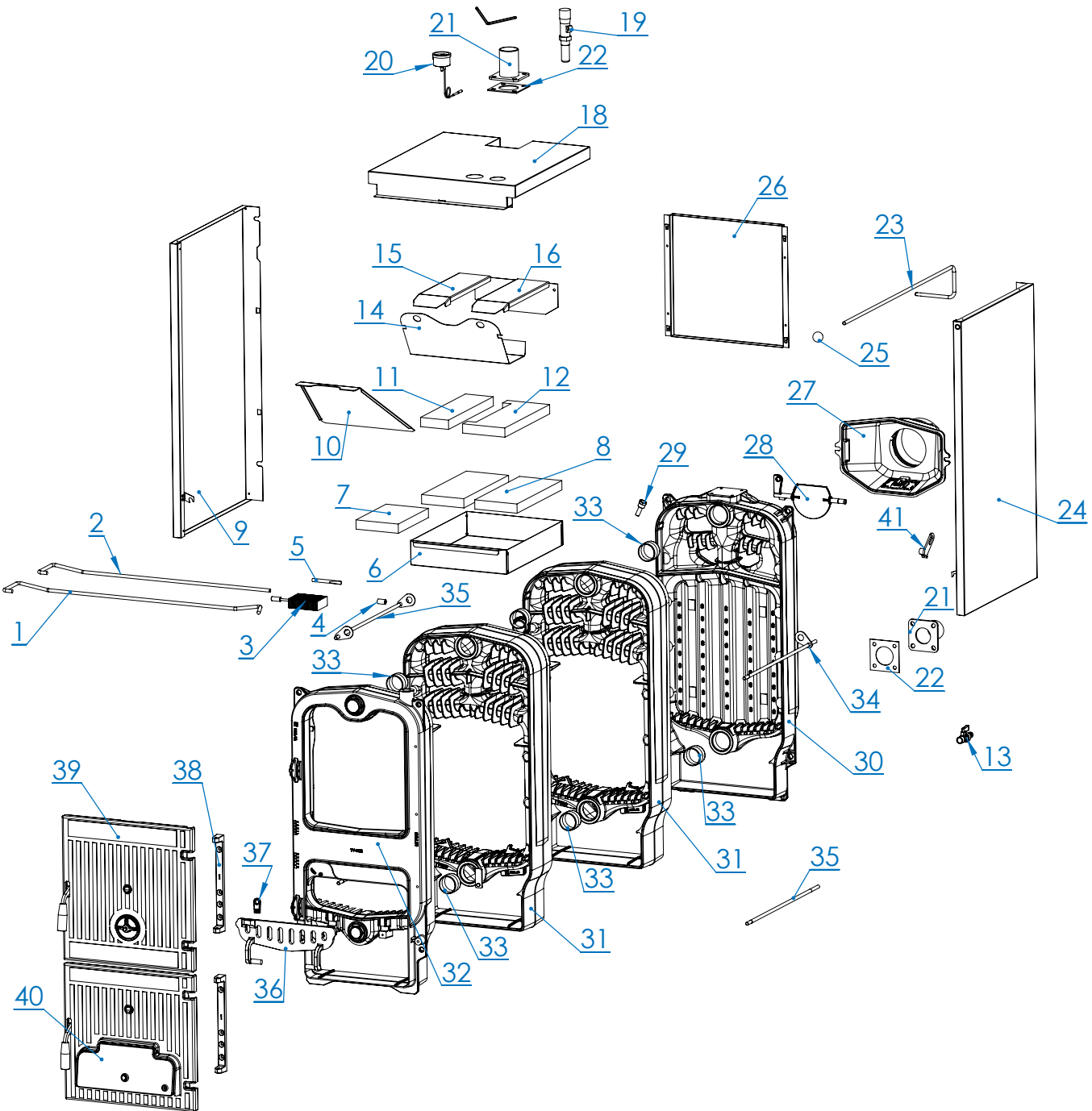
1/2019 -



#	CODE
1	PEL937
2	PED15905A
3	PED25010
4	PED25901
5	PED15008
6	PED15009
7	ADF25544

#	CODE
1	DPD25903A
2	DPD25016D
3	DPV25081
4	DPD25001B
5	DPD25080
6	DPD25090
7	DPD25016A



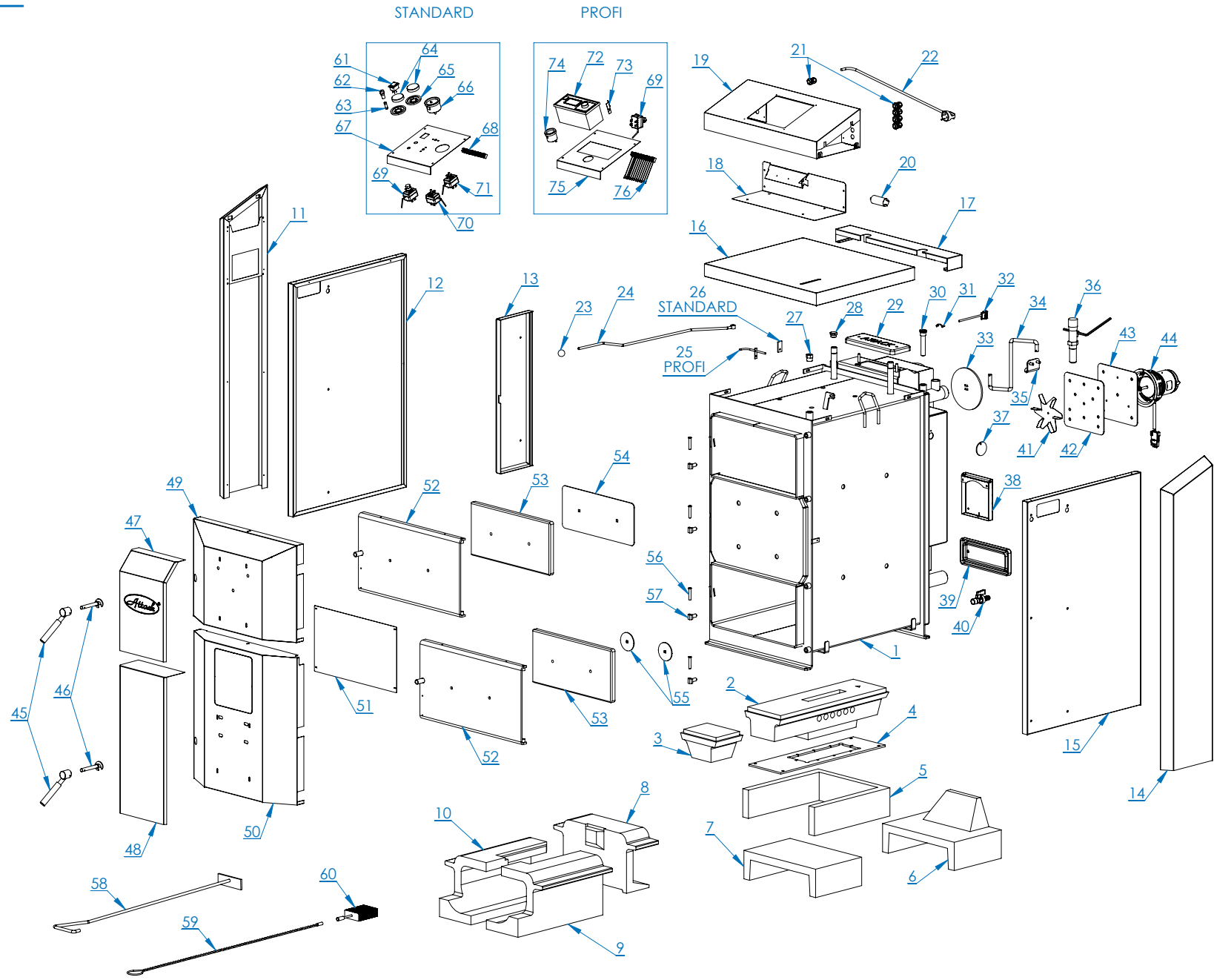




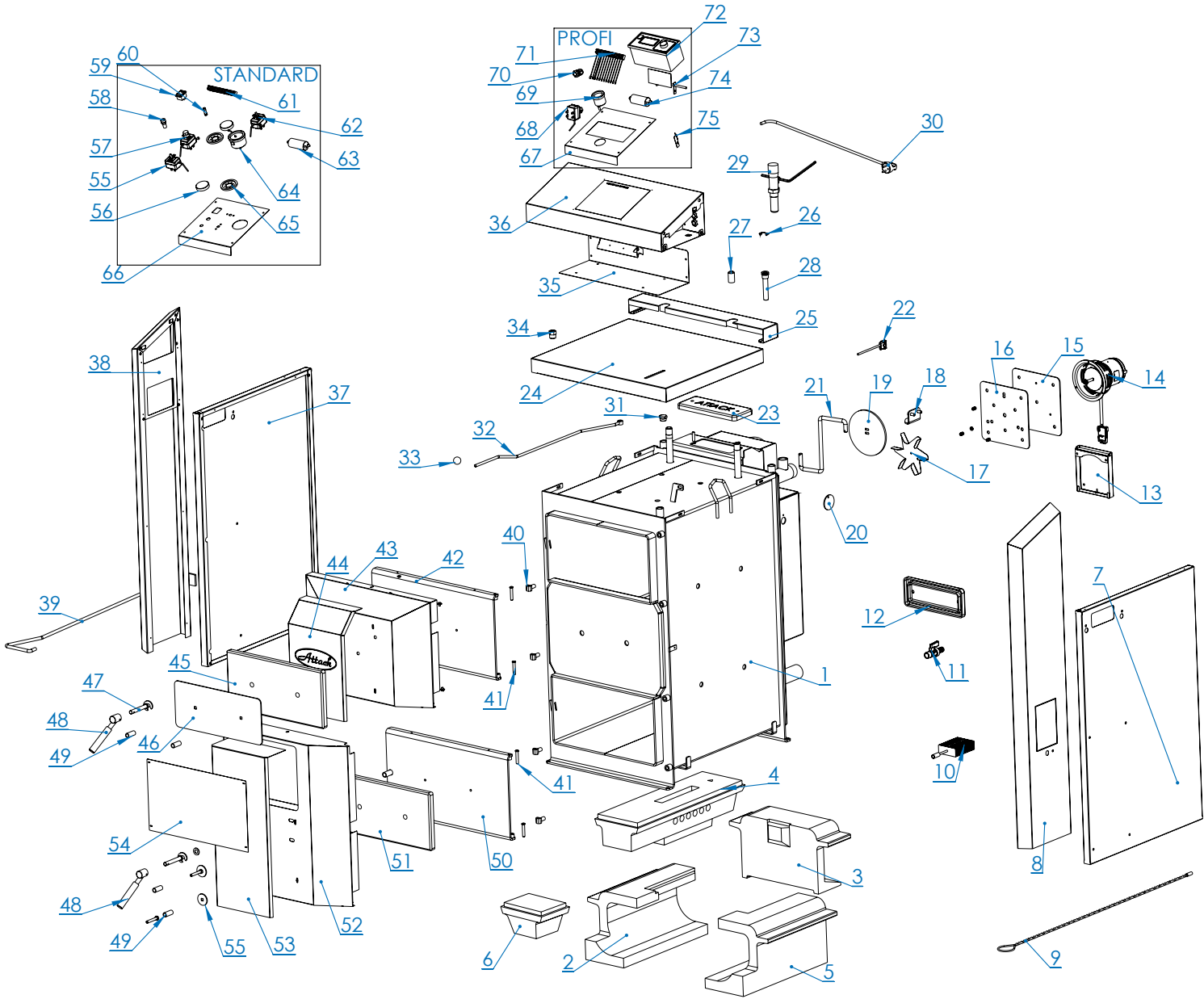
#	CODE	TYPE
1	FST001	FD20
	FST002	FD26
	FST003	FD32
	FST004	FD36
	FST005	FD42
2	SM40	
3	SM41	
4	SM45	
5	SM42	
6	SFO934	FD20
	SFO935	FD26
	SFO936	FD32
	SFO937	FD36
	SFO933	FD42
7	SMA004	FD20,FD32,FD42
8	SMA002	FD26,FD32,FD36,FD42
9	SFO920	FD20
	SFO903	FD26
	SFO908	FD32
	SFO912	FD36
	SFO917	FD42
10	SMA008	FD32,FD36,FD42
11	SMA001	
12	SMA003	FD26,FD32,FD36,FD42
13	TS103	
14	SMA007	
15	SMA006	FD20
	SMA009	FD26
	SMA005	FD32
	SMA011	FD36
	SMA012	FD42
16	SMA005	
17	SM19	

#	CODE	TYPE
18	SFO923	FD20
	SFO924	FD26
	SFO925	FD32
	SFO926	FD36
	SFO927	FD42
19	OT48	
20	DPD25018A	
21	UK15	
22	UK01T	
23	SFO036	FD20
	SFO012	FD26
	SFO024	FD32
	SFO030	FD36
	SFO031	FD42
24	SFO921	FD20
	SFO904	FD26
	SFO909	FD32
	SFO913	FD36
	SFO918	FD42
25	DPD25021	
26	SFO041	
27	SFD014	
28	SFD015	
29	SM28	
30	SFD003	
31	SFD002	
32	SFD001	
33	SM09	
34	SFD009	20
	SFD010	26
	SFD011	32
	SFD012	36
	SFD013	42

#	CODE	TYPE
35	SFD004	20
	SFD005	26
	SFD006	32
	SFD007	36
	SFD008	42
36	SFD016	
37	SFD017	
38	SFD018	
39	SFD019	
40	SFD020	
41	SFD021	
42	SFD022	
43	SFD023	
44	SFD024	
45	SFD027	
46	SFD028	
47	SFD029	
48	SFD030	
49	SFD031	
50	SFD032	
51	SFD026	
52	SFD025	

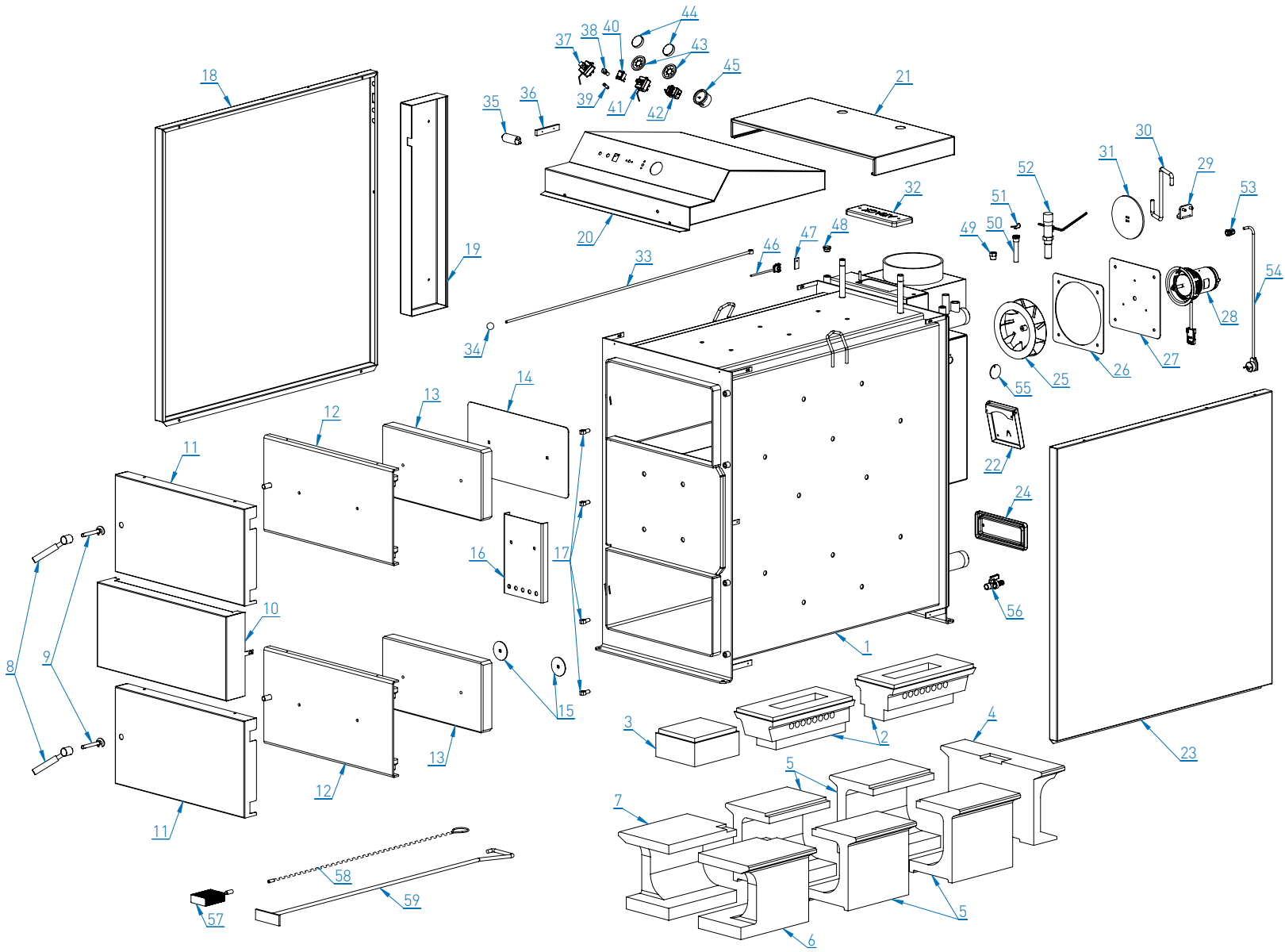


#	CODE		#	CODE	
1	DP25400	25	30	DPD25011	
	DP35400	35	31	TS106	
	DP45400	45	32	DPD25110	25,35
2	DPT25004	25		DPD45110	45
	DPT35005	35	33	DPV25089B	
	DPT45004	45	34	DPV25074D	
3	DPT35004	35,45	35	DPV25530	
4	DPV25382D	25	36	OT39C	
	DPV35382D	35	37	DPV25041	
	DPV45382D	45	38	DPA25900	
5	DPP25002		39	DPV25102A	
6	DPP25010		40	TS103	
7	DPP25011	25	41	DPD25020	
	DPP35011	35	42	DPD25001B	
	DPP45011	45	43	DPV25081	
8	DPP25104	25,45	44	DPD25016D	25,35
	DPP35105	35		DPD45001D	45
9	DPP25106	25	45	DPD25420B	
	DPP35104	35	46	DPD25430	
	DPP45104	45	47	DPA25909	
10	DPP25105	25	48	DPA25912	
	DPP35103	35	49	DPA25901	
	DPP45103	45	50	DPA25902	
11	DPA15901		51	DPA25044	
12	DPA25007	25	52	DPV25095A	
	DPA35007	35	53	DPD25030	
	DPA45007	45	54	DPV25108	
13	DPV25080		55	DPV95086	
14	DPA15902		56	DPD25521A	
15	DPA25006	25	57	PEL0490	
	DPA35006	35	58	DPC25005A	
	DPA45006	45	59	DPC25009	
16	DPA25009	25	60	SM45	
	DPA35009	35		STANDARD	
	DPA45009	45	61	TS095A	
17	DPA25011		62	TH05A	
18	DPA15025		63	TH06	
19	DPA15022		64	DPD25009A	
20	DPD25016A	25,35	65	DPD25010	
	DPD45001A	45	66	TS099A	
21	TS094A		67	DPA15013	
22	TS091		68	DPD15020	
23	DPD25069		69	OT19C	
24	DPV25620	25	70	DPD25008A	
	DPV35620	35	71	DPD25007B	
	DPV45620	45		PROFI	
25	DPD25059		72	DPD25073	
26	DPD25061		73	DPD25034	
27	OT11		74	AT46C	
28	DPD25029		75	DPA15015	
29	DPV25102B		76	DPD15030	

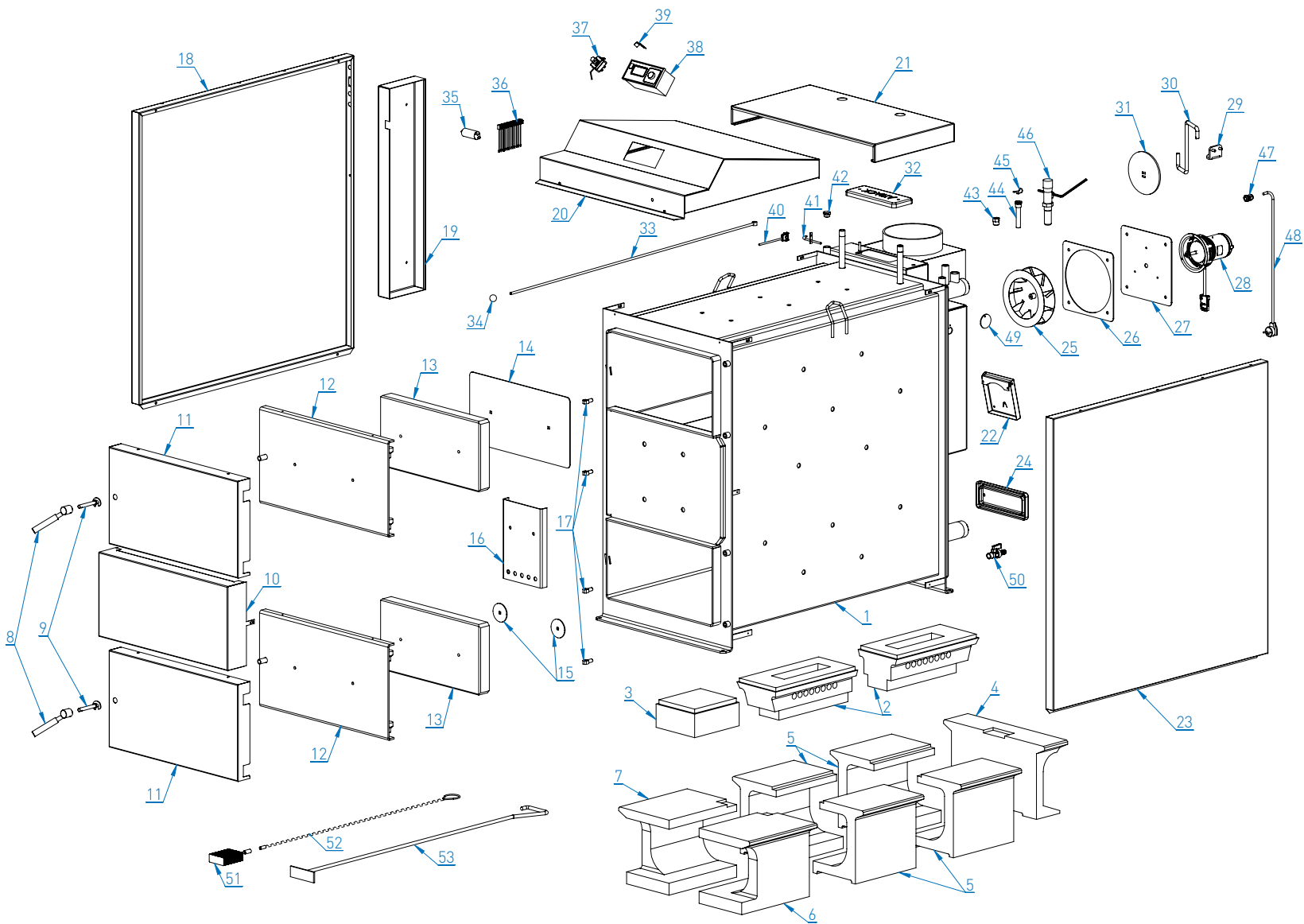


#	CODE	
1	DP25400	25
	DP35400	35
	DP45400	45
2	DPP25105	25
	DPP35103	35
	DPP45103	45
3	DPT25004	25
	DPT35005	35
4	DPT45004	45
	DPP25106	25
5	DPP35104	35
	DPA45104	45
6	DPT35004	35,45
	DPA25006	25
	DPA35006	35
7	DPA45006	45
	DPA15907	
8	DPC25009	
9	SM45	
10	TS103	
11	DPV25102A	
12	DPA25900	
13	DPD25016D	25,35
	DPD45001D	45
14	DPV25081	
15	DPD25001B	
16	DPD25020	
17	DPV25530	
18	DPV25089B	
19	DPV25041	
20	DPV25074D	
21	DPD25110	25,35
	DPD45110	45
22	DPV25102B	
23	DPA25009	25
	DPA35009	35
	DPA45009	45
24	DPA25011	
25	TS106	
26	DPP25005	
27	DPD25011	
28	OT39C	
29	TS091	
30	DPD25029	
31	DPV25620	25
	DPV35620	35

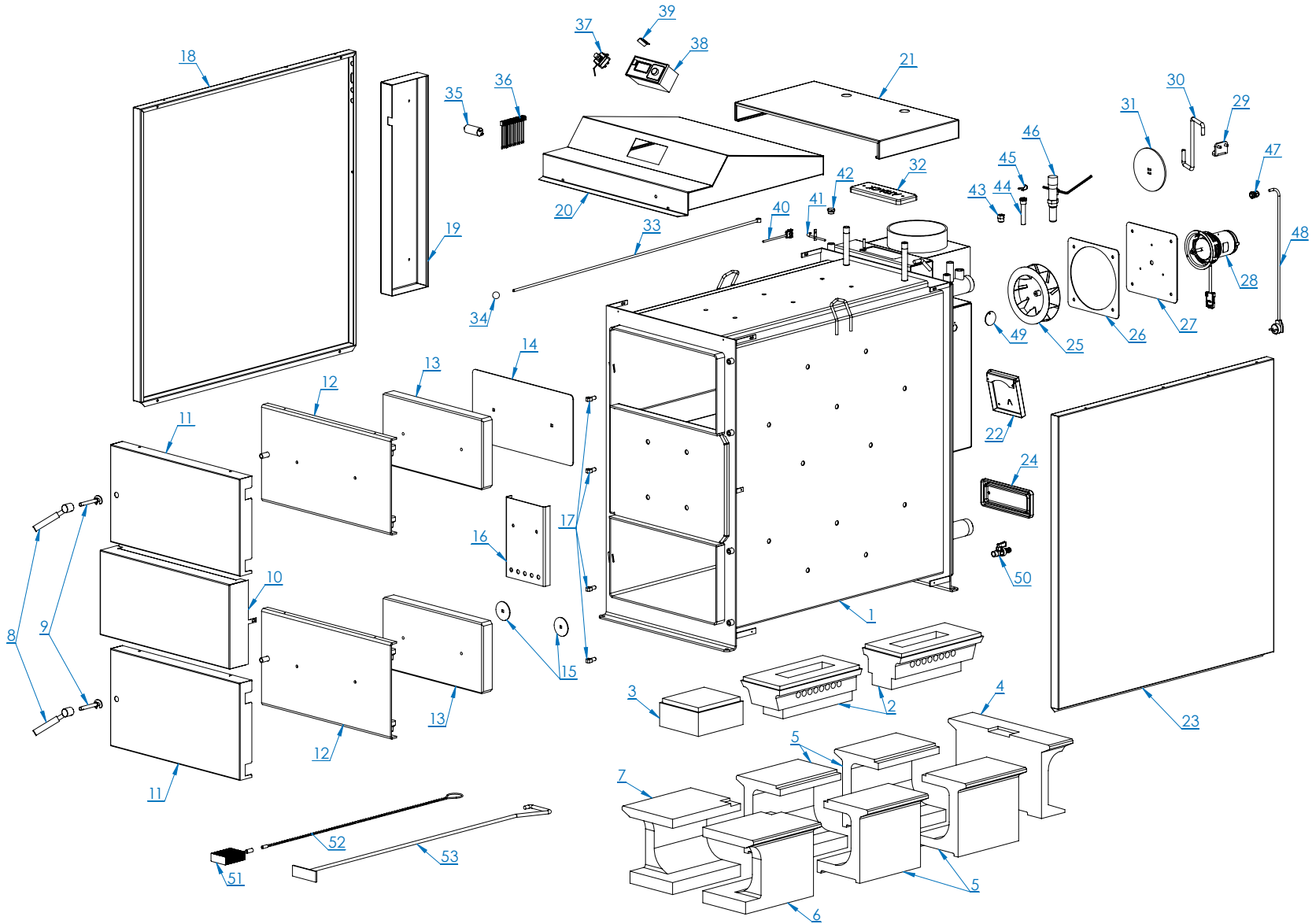
#	CODE	
32	DPV45620	45
33	DPD25069	
34	OT11	
35	DPA15025	
36	DPA15904	
37	DPA25007	25
	DPA45007	45
38	DPA15901	
39	DPC25005A	
40	PEL0490	
41	DPO25521A	
42	DPV25095A	
43	DPA25901	
44	DPA25907	
45	DPD25030A	
46	DPV25108	
47	DPD25430	
48	DPD25420B	
49	DPV15087	
50	DPV25095A	
51	DPD25030A	
52	DPA25902	
53	DPA25912	
54	DPA25044	
55	DPD25008A	
56	DPD25009	
57	OT19C	
58	TH05A	
59	TS095A	
60	TH06	
61	DPD15020	
62	DPD25007	
63	DPD25016A	
64	TS099A	
65	DPD25010	
66	DPA15013	
67	DPA15015	
68	OT19C	
69	AT46C	
70	TS094A	
71	DPD15030	
72	DPD25073	
73	DPD25059	
74	DPD25016A	
75	DPD25034	



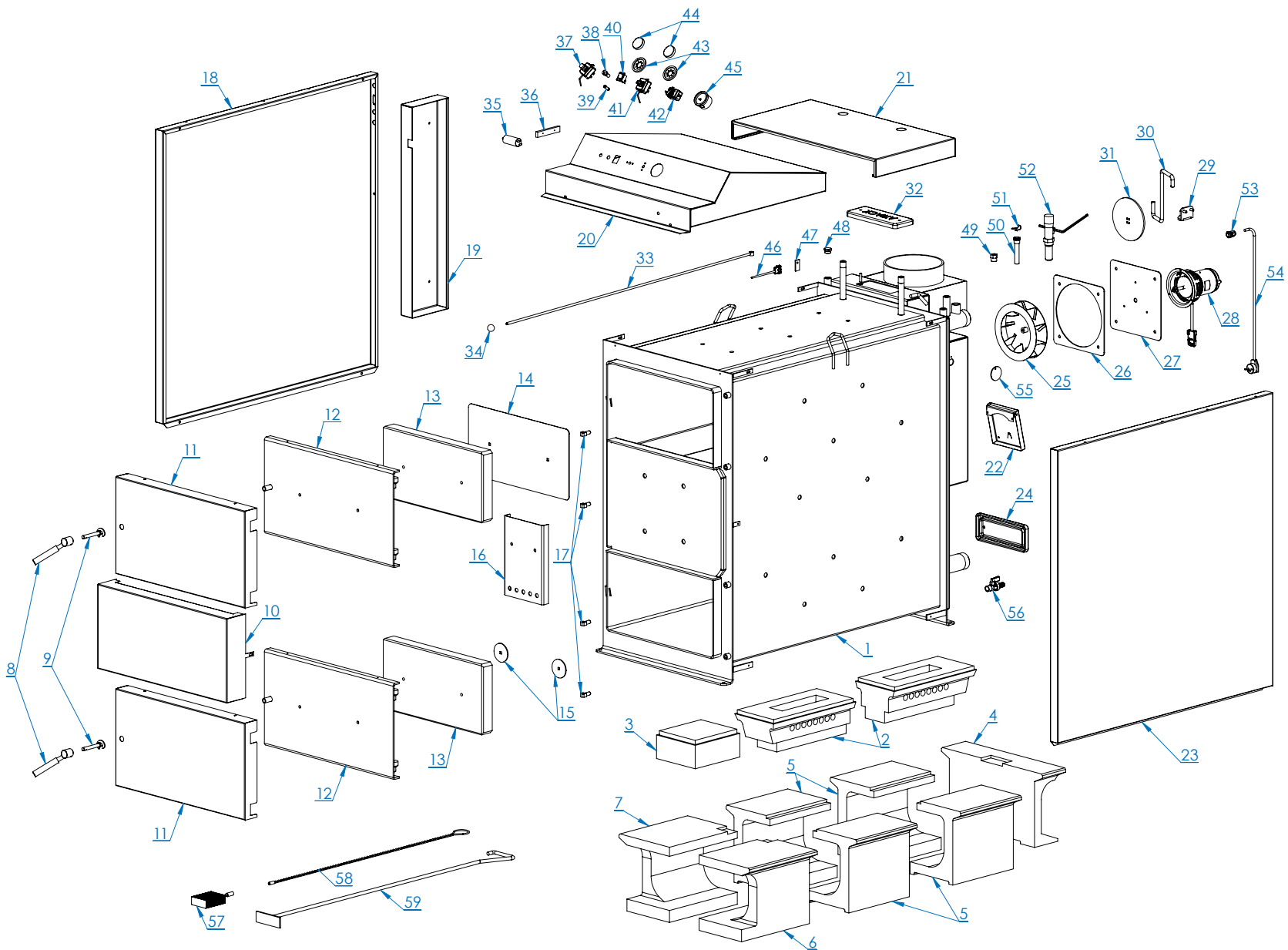
#	CODE	#	CODE
1	DP75003	31	DPV25089B
2	DPT95002A	32	DPV25102B
3	DPT95003	33	DPV95100
4	DPP95108B	34	DPD25069
5	DPP95107B	35	DPD75002B
6	DPP95105B	36	DPD25027
7	DPP95106B	37	OT19C
8	DPD25420B	38	TH05A
9	DPD25430	39	TH06
10	DPO75011	40	TS095A
11	DPO75001	41	DPD25007B
12	DPV75027	42	DPD25008A
13	DPD95002	43	DPD25010
14	DPV75047	44	DPD25009A
15	DPV95086	45	TS099A
16	DPV75031	46	DPD45120
17	DPV75046	47	DPD25061
18	DPO75005A	48	DPD25029
19	DPV75030	49	OT11
20	DPO75010	50	DPD25011
21	DPO75009	51	TS106
22	DPV25101A	52	OT39C
23	DPO75006	53	TS094A
24	DPV25102A	54	TS091E
25	DPD75003	55	DPV25041
26	DPD75001A	56	TS103
27	DPV75015	57	SM45
28	DPD75002E	58	DPC25009
29	DPV25530	59	DPC75001
30	DPV25074D		



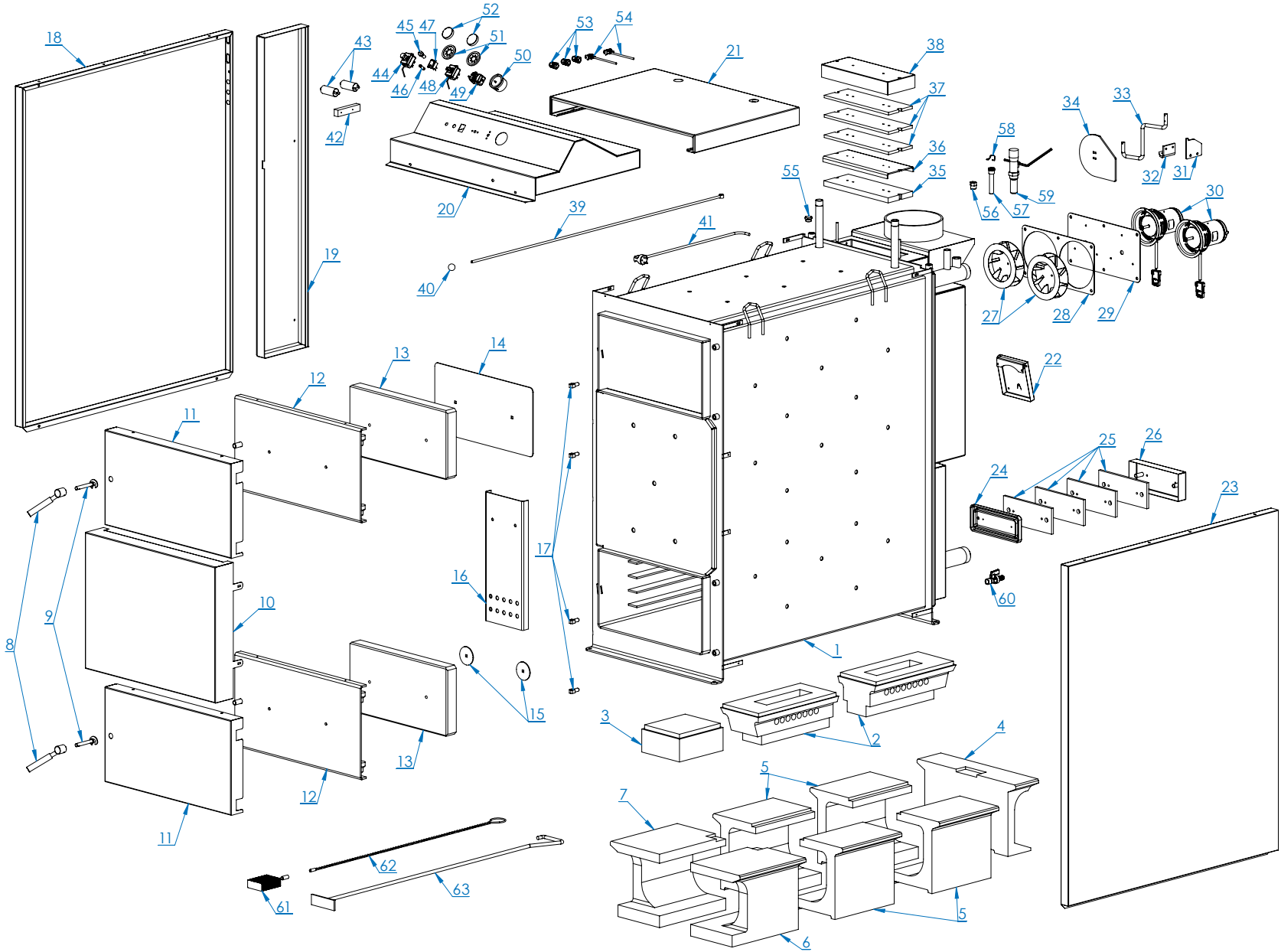
#	CODE	#	CODE
1	DP75003	29	DPV25530
2	DPT95002A	30	DPV25074D
3	DPT95003	31	DPV25089B
4	DPP95108B	32	DPV25102B
5	DPP95107B	33	DPV95100
6	DPP95105B	34	DPD25069
7	DPP95106B	35	DPD75002B
8	DPD25420B	36	DPD15030
9	DPD25430		8/2015 -
10	DPO75011	37	OT19C
11	DPO75001	38	DPD25073
12	DPV75027		6/2014 -
13	DPD95002	39	DPD25034
14	DPV75047	40	DPD45120
15	DPV95086	41	DPD25059
16	DPV75031	42	DPD25029
17	DPV75046	43	OT11
18	DPO75005A	44	DPD25011
19	DPV75030	45	TS106
20	DPO75008	46	OT39C
21	DPO75009	47	TS094A
22	DPV25101A	48	TS091E
23	DPO75006	49	DPV25041
24	DPV25102A	50	TS103
25	DPD75003	51	SM45
26	DPD75001A	52	DPC25009
27	DPV75015	53	DPC75001
28	DPD75002E		



#	CODE	#	CODE
1	DP75003	28	DPD75002E
2	DPT95002A	29	DPV25530
3	DPT95003	30	DPV25074D
4	DPP95108B	31	DPV25089B
5	DPP95107B	32	DPV25102B
6	DPP95105B	33	DPV95100
7	DPP95106B	34	DPD25069
8	DPD25420	35	DPD75002B
9	DPD25430	36	DPD15030
10	DPO75011	37	OT19C
11	DPO75001	38	DPD25073
12	DPV75027	39	DPD25034
13	DPD95002	40	DPD45120
14	DPV75047	41	DPD25059
15	DPV95086	42	DPD25029
16	DPV75031	43	OT11
17	DPV75046	44	DPD25011
18	DPO75005A	45	TS106
19	DPV75030	46	OT39C
20	DPO75030	47	TS094A
21	DPO75009	48	TS091E
22	DPV25101A	49	DPV25041
23	DPO75006	50	TS103
24	DPV25102A	51	SM45
25	DPD75003	52	DPC25009
26	DPD75001A	53	DPC75001
27	DPV75015		

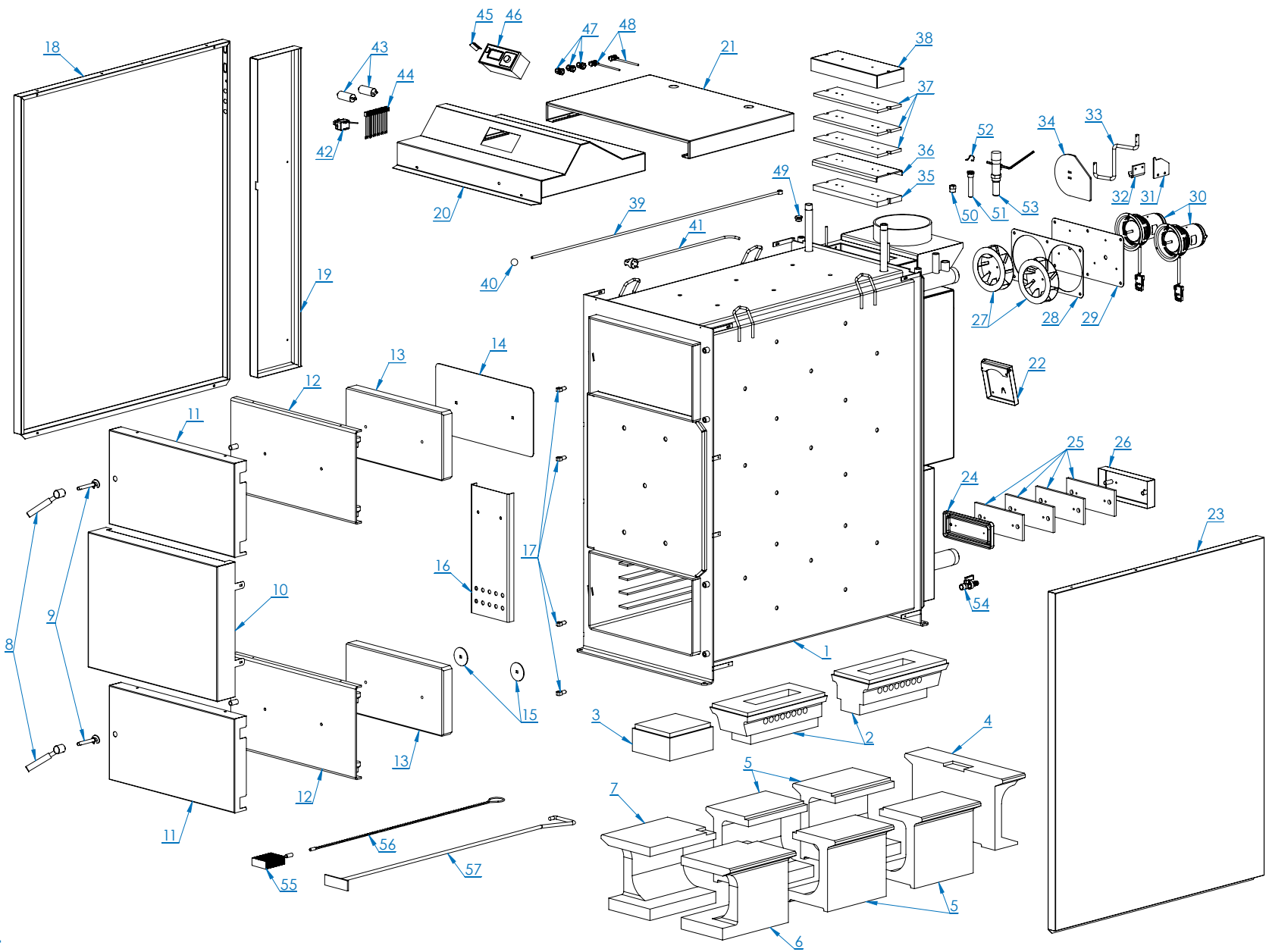


#	CODE	#	CODE
1	DP75003	31	DPV25089B
2	DPT95002A	32	DPV25102B
3	DPT95003	33	DPV95100
4	DPP95108B	34	DPD25069
5	DPP95107B	35	DPD75002B
6	DPP95105B	36	DPD25027
7	DPP95106B	37	OT19C
8	DPD25420	38	TH05A
9	DPD25430	39	TH06
10	DP075011	40	TS095A
11	DP075001	41	DPD25007B
12	DPV75027	42	DPD25008A
13	DPD95002	43	DPD25010
14	DPV75047	44	DPD25009A
15	DPV95086	45	TS099A
16	DPV75031	46	DPD45120
17	DPV75046	47	DPD25061
18	DP075005A	48	DPD25029
19	DPV75030	49	OT11
20	DP075010	50	DPD25011
21	DP075009	51	TS106
22	DPV25101A	52	OT39C
23	DP075006	53	TS094A
24	DPV25102A	54	TS091E
25	DPD75003	55	DPV25041
26	DPD75001A	56	TS103
27	DPV75015	57	SM45
28	DPD75002E	58	DPC25009
29	DPV25530	59	DPC75001
30	DPV25074D		

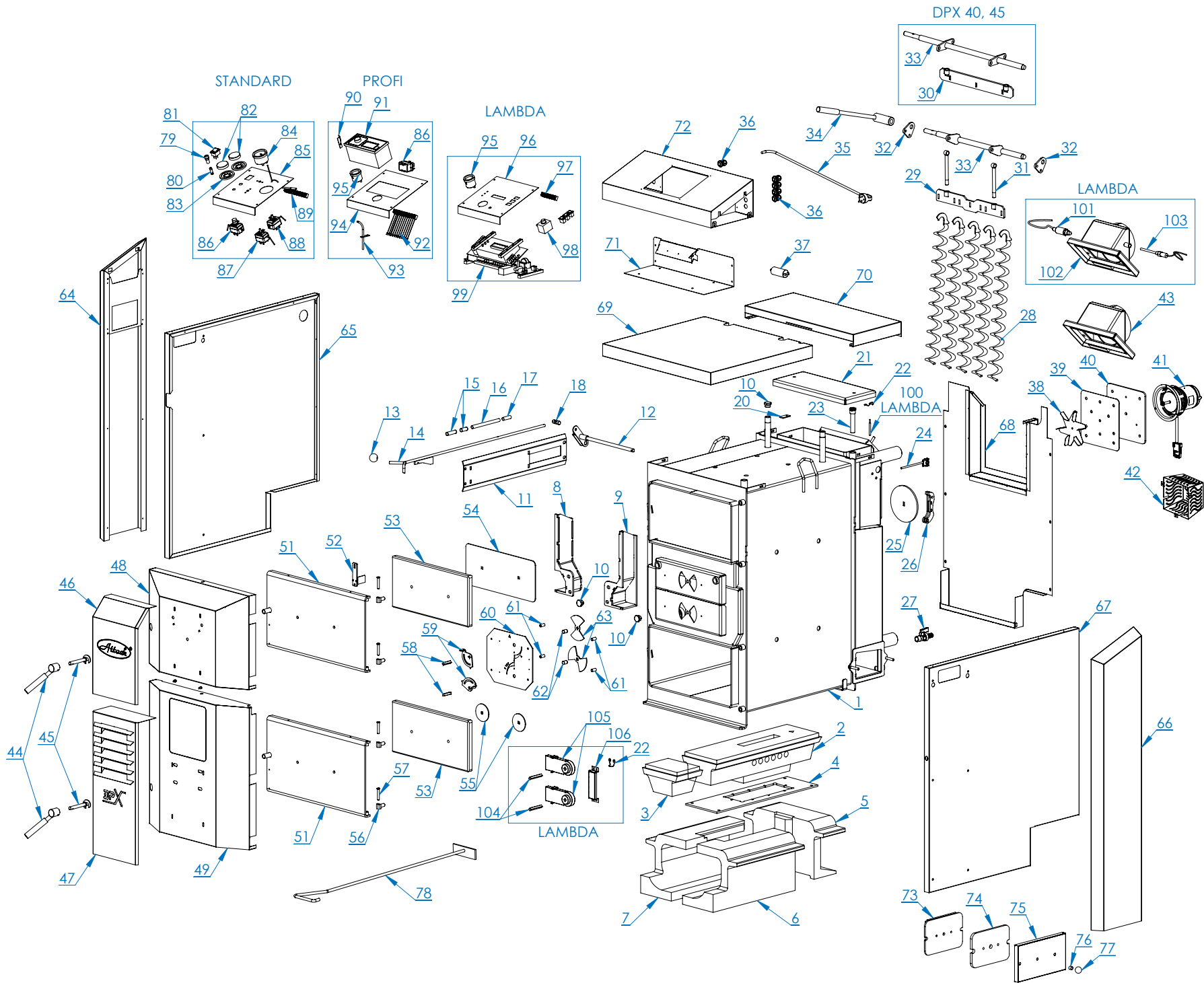


#	CODE	#	CODE
1	DP95003	33	DPV95047A
2	DPT95002A	34	DPV95083A
3	DPT95003	35	DPV95088
4	DPP95108B	36	DPV95087
5	DPP95107B	37	DPV95089
6	DPP95105B	38	DP095010A
7	DPP95106B	39	DPV95100
8	DPD25420	40	DPD25069
9	DPD25430	41	TS091E
10	DPO95014	42	DPD95003
11	DPO75001	43	DPD45003
12	DPV75027	44	OT19C
13	DPD95002	45	TH05A
14	DPV75047	46	TH06
15	DPV95086	47	TS095A
16	DPV95011	48	DPD25007B
17	DPV75046	49	DPD25008A
18	DPO95017	50	TS099A
19	DPV95037	51	DPD25010
20	DPO95030	52	DPD25009A
21	DPO95015	53	TS094A
22	DPV25101A	54	DPD45120
23	DPO95001	55	DPD25029
24	DPV95085	56	OT11
25	DPD95010	57	DPD25011
26	DPO95010	58	TS106
27	DPD95909A	59	OT39C
28	DPD95001A	60	TS103
29	DPV95025	61	SM45
30	DPD45001D	62	DPC25009
31	DPV95104	63	DPC75001
32	DPV95201		

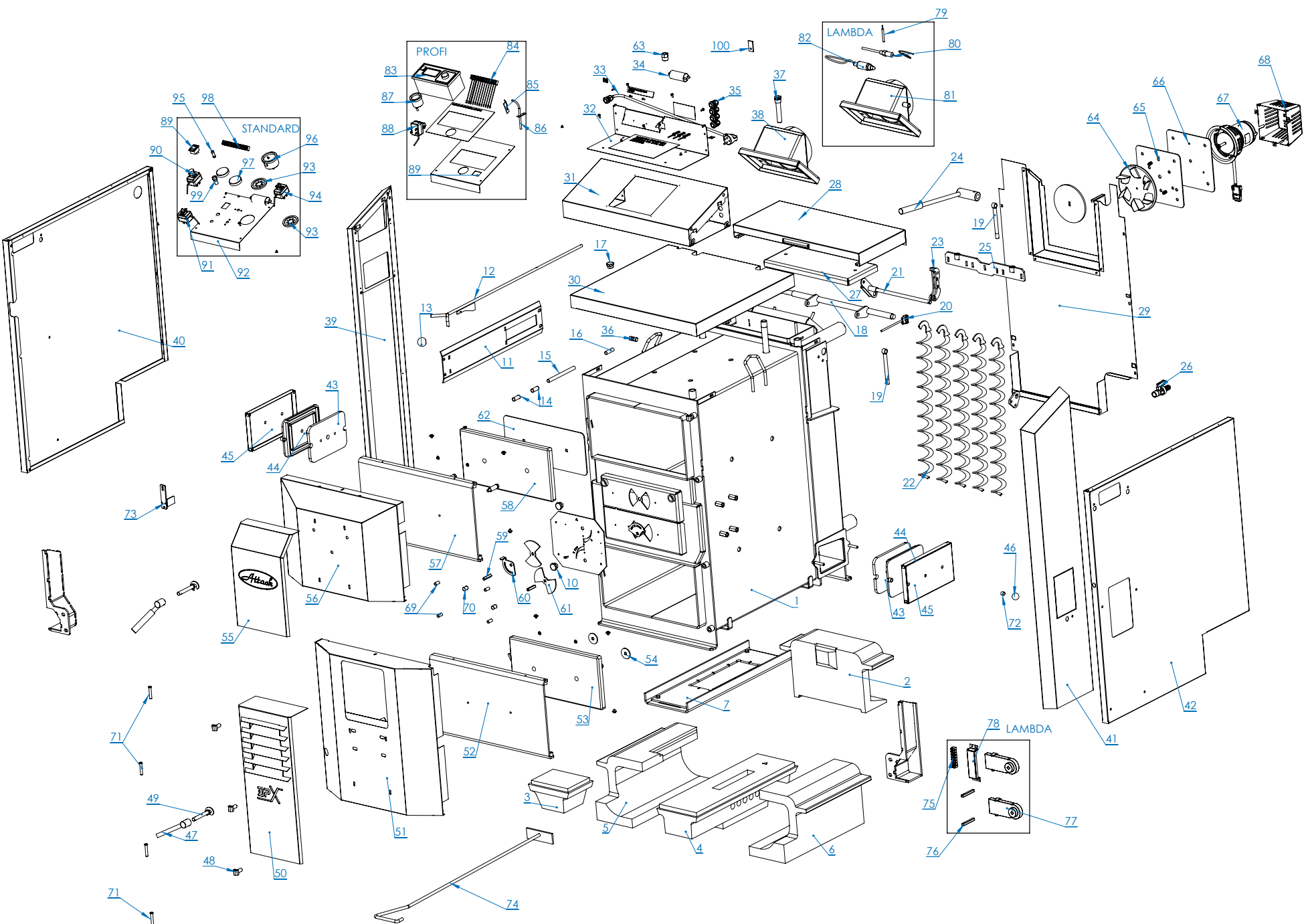




#	CODE	#	CODE
1	DP95003	30	DPD45001D
2	DPT95002A	31	DPV95104
3	DPT95003	32	DPV95201
4	DPP95108B	33	DPV95047A
5	DPP95107B	34	DPV95083A
6	DPP95105B	35	DPV95088
7	DPP95106B	36	DPV95087
8	DPD25420	37	DPV95089
9	DPD25430	38	DPO95010A
10	DPO95014	39	DPV95100
11	DPO75001	40	DPD25069
12	DPV75027	41	TS091E
13	DPD95002	42	OT19C
14	DPV75047	43	DPD45003
15	DPV95086	44	DPD15030
16	DPV95011	45	DPD25034
17	DPV75046	46	DPD25073
18	DPO95017	47	TS094A
19	DPV95037	48	DPD45120
20	DPO95030	49	DPD25029
21	DPO95015	50	OT11
22	DPV25101A	51	DPD25011
23	DPO95001	52	TS106
24	DPV95085	53	OT39C
25	DPD95010	54	TS103
26	DPO95010	55	SM45
27	DPD95909A	56	DPC25009
28	DPD95001A	57	DPC75001
29	DPV95025		







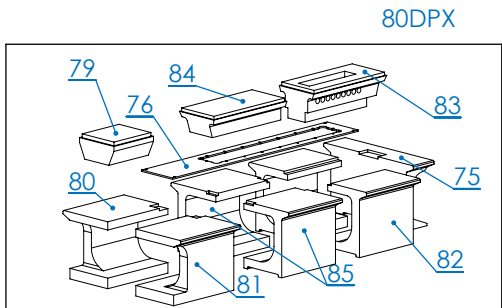
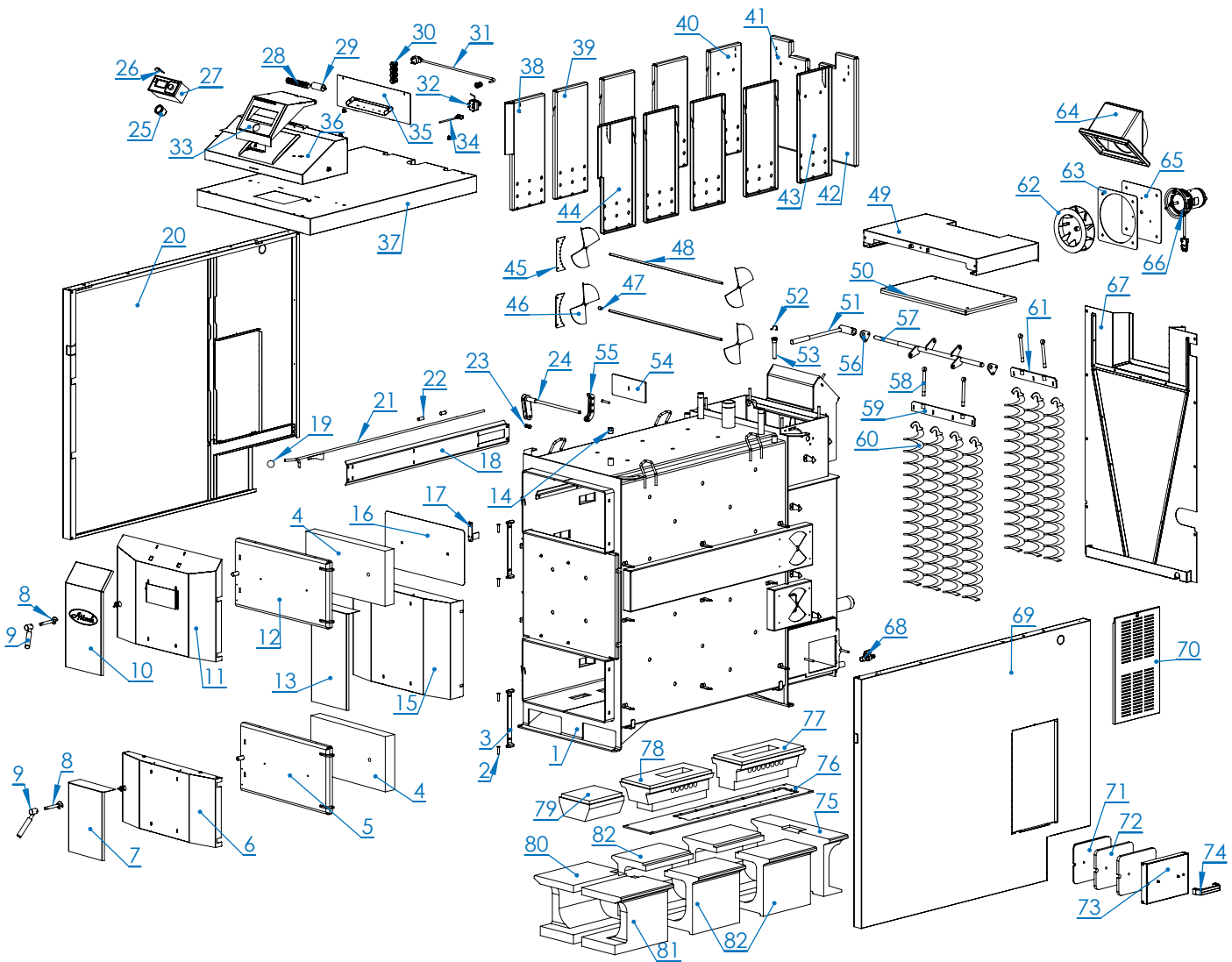
#	CODE	
1	DP15500	15
	DP25500	25
	DP35500	30,35
	DP45500	40,45
2	DPP35105	15,30,35
	DPP25104	25,40,45
3	DPT35004	30-45
4	DPT15002	15
	DPT25004	25
	DPT35005	30,35
	DPT45004	40,45
5	DPP15103	15
	DPP25105	25
	DPP35103	30, 35
	DPP45103	40, 45
6	DPP15104	15
	DPP25106	25
	DPP35104	30,35
	DPP45104	40, 45
7	DPV15906	15
	DPV25906	25
	DPV35906	30,35
	DPV45906	40,45
10	DPD25029	
11	DPV15932	15
	DPV25932C	25
	DPV35932A	30, 35
	DPV45932	40, 45
12	DPD15901	15
	DPD25901F	25
	DPD35901F	30, 35
	DPD45901	40, 45
13	DPD25021	
14	DPV25326	
15	DPV25331B	
16	DPV25327	
17	DPD25029	

#	CODE	
18	DPV15925	25-45
19	DPD25065	25-45
20	DPD25110	
21	DPV25366C	
22	DPV15930D	25-45
23	DPV25363B	
24	DPV15924A	25-45
25	DPV15921	25-45
26	TS103	
27	PEL943	25-35
	DPV45923	40,45
28	DPA15010A	25-35
	DPA45010A	40,45
29	DPA15903	
30	DPA15008A	15
	DPA25008A	25
	DPA35008A	30,35
	DPA45008A	40,45
31	DPA15022A	
32	DPA15025	
33	TS091	
34	DPD25016A	
35	TS094A	
36	DPV25325A	
37	DPD25011	
38	DPV25921B	
39	DPA15901	
40	DPA15001	15
	DPA25001	25
	DPA35001	30, 35
	DPA45001	40, 45
41	DPA15907	
42	DPA15002	15
	DPA25002	25
	DPA35002	30, 35
	DPA45002	40,45
43	DPD15008A	

#	CODE	
44	DPV25500A	
45	DPA15905A	
46	DPD25069	
47	DPD25420B	
48	PEL0490	
49	DPD25430	
50	DPA25911	
51	DPA25902	
52	DPV25095A	
53	DPD25030A	
54	DPV15086	
55	DPA25908	
56	DPA25901	
57	DPV25095A	
58	DPD25030A	
59	DPV25301	
60	DPV25329A	
61	DPV25203	
62	OT11	
63	DPV25360	
	DPD15011	15
	DPD25080	25
	DPD45909B	30, 35
64	DPD45909C	40, 45
	DPD25001B	
65	DPV25081	15, 25
66	DPV45040	30-45
	DPD25016D	15, 25
67	DPD25202D	30-45
	DPA45900	30-45
68	DPV25304	
69	DPV25304	
70	DPV25303	
71	DPO25521A	
72	DPV25504A	
73	DPV25371A	
74	DPC25005A	

LAMBDA		
#	CODE	
75	DPD15007B	
76	DPV25301A	
77	DPD25216	
78	DPA15026	
79	DPD25213	
80	DPD25212A	
81	DPV25925	
82	DPD25214	

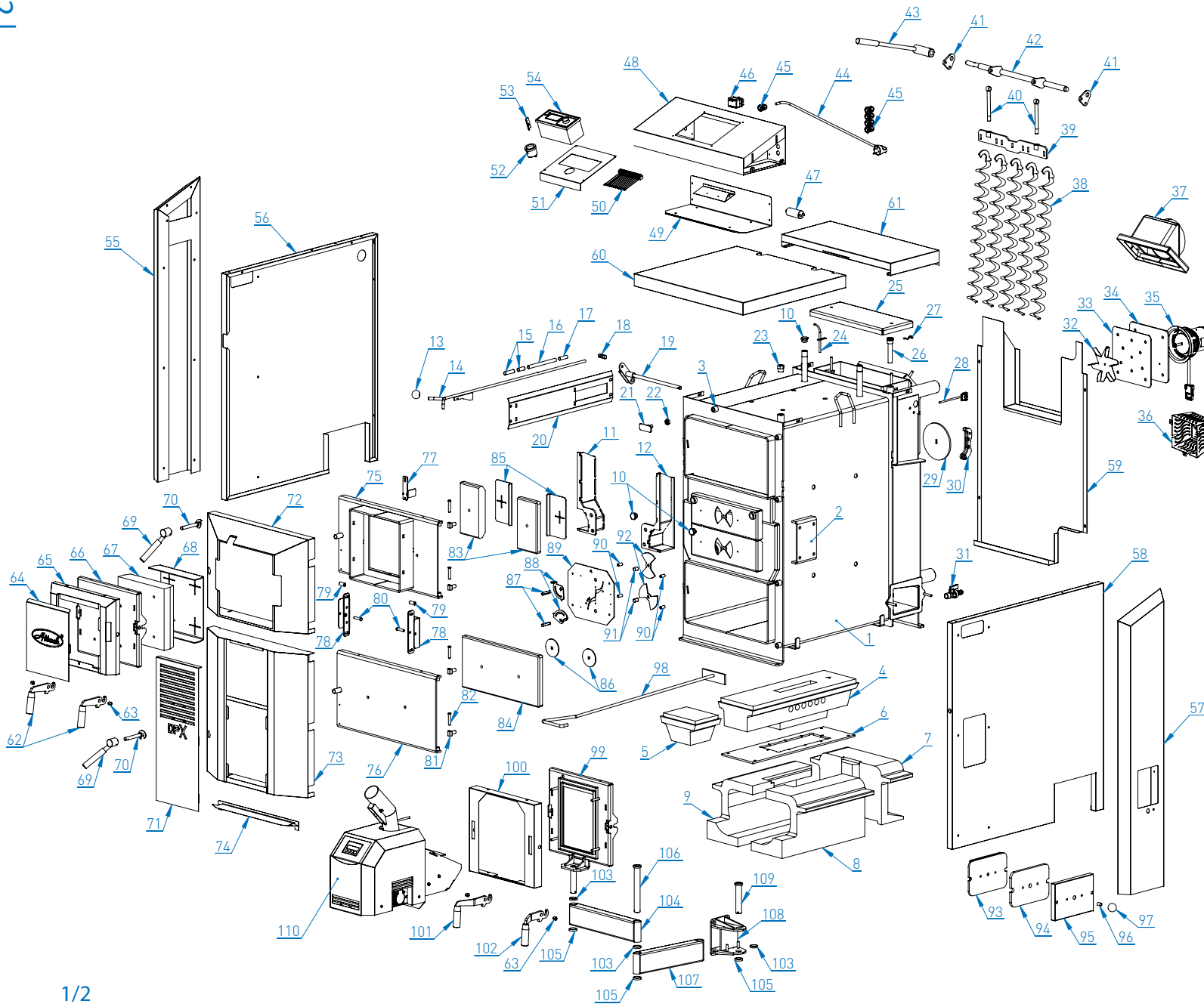
PROFI		
#	CODE	
83	DPD25073	
84	DPD15030	
85	DPD25034	
86	DPD25059	
87	AT46C	
88	OT19C	
89	TS095A	
90	OT19C	
91	DPD25008A	
92	DPA15012	
93	DPD25010	
94	DPD25007B	
95	TH06	
96	TS099A	
97	DPD25009	
98	DPD15020	
99	TH05A	
100	DPD25061	



#	CODE
1	DP80000
2	DPV25803
3	DPV75260
4	DPD75264
5	DPV75926
6	DPA80917
7	DPA80918
8	DPD25430
9	DPD25420B
10	DPA80913
11	DPA80914
12	DPV75926
13	DPA80916
14	OT11
15	DPA80915
16	DPV75047
17	DPV25371A
18	DPV75929
19	DPD25021
20	DPA80903
21	DPD75901
22	DPV25326
23	DPV25325A
24	DPV75922A
25	AT46C
26	DPD25034
27	DPD25073
28	DPD80001
29	DPD75002B
30	TS094A
31	ADF25544

#	CODE
32	OT19C
33	DPA80912
34	DPD75011
35	DPA80909
36	DPA80908
37	DPA80900
38	DPV75932
39	DPV75266
40	DPV75919
41	DPV75917
42	DPV75918
#	CODE
43	DPV75920
44	DPV75931
45	DPV80004
46	DPV75271
47	DPV25303
48	DPV75280
49	DPA80901
50	DPV75910A
51	DPV15924A
52	TS106
53	DPD25011
54	DPV75907
55	DPV75908A
56	DPV45035A
57	DPV75906A
58	DPD25065
59	DPV75904
60	DPV75905
61	DPV75930

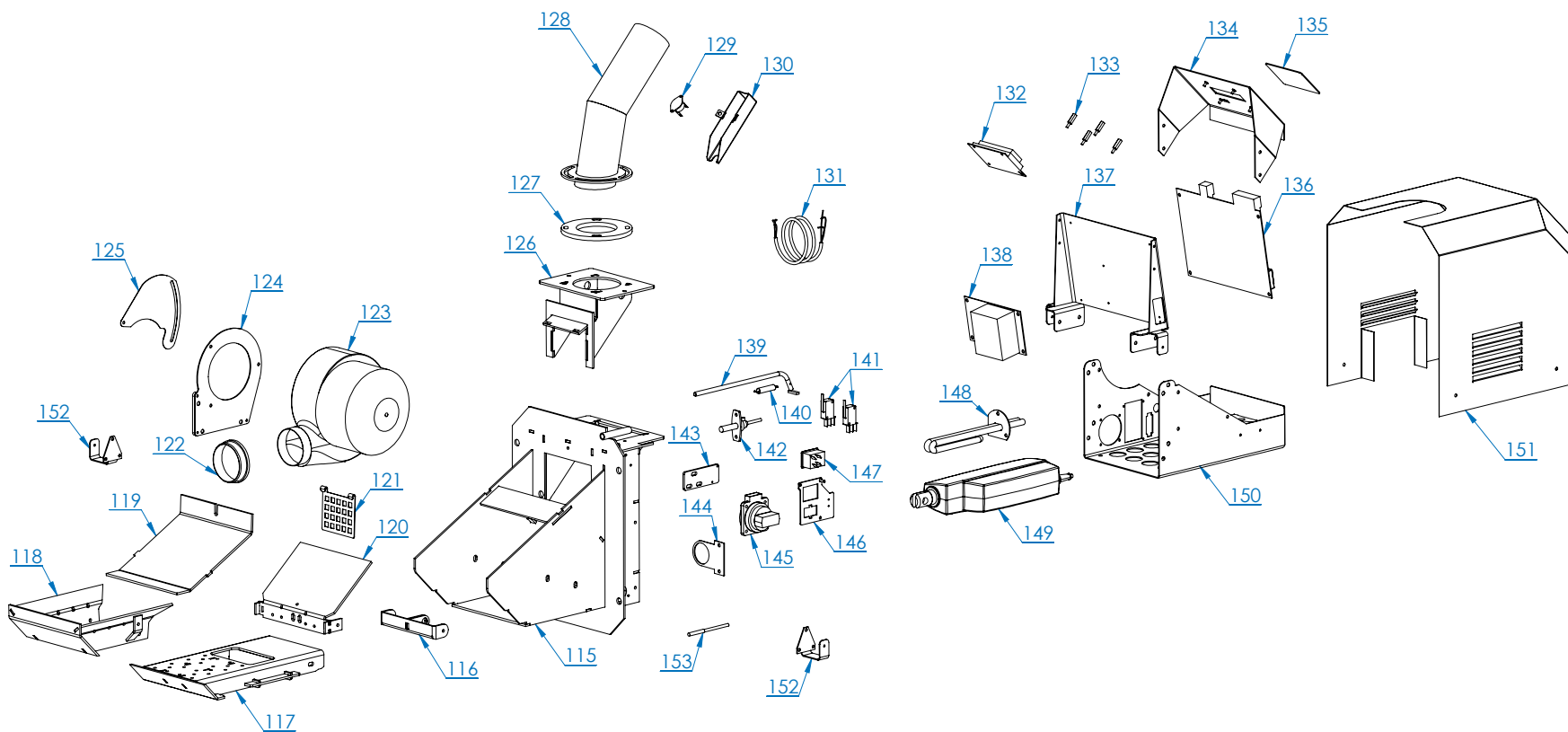
#	CODE
62	DPD75003
63	DPD75001A
64	DPV75911A
65	DPV75015
66	DPD75002
67	DPA80910
68	TS103
69	DPA80902
70	DPA80009
71	DPV75921A
72	DPV75288
73	DPV75925A
74	PEL801
75	DPP95108B
76	DPV80906
77	DPT75010
78	DPT10001
79	DPT75011
80	DPP95106B
81	DPP95105B
82	DPP95107B
83	DPT95005
84	DPT80001
85	DPP80001



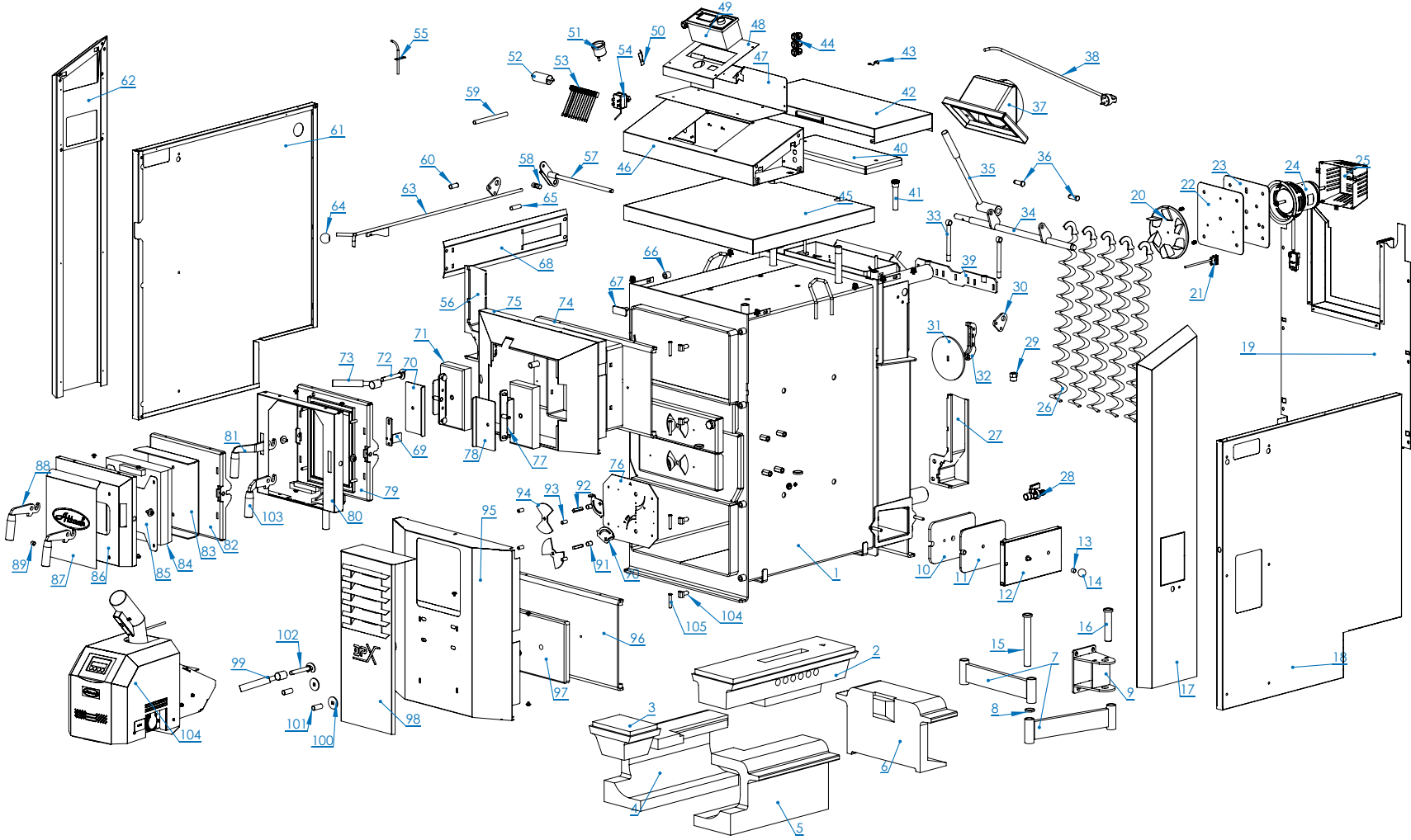
#	CODE	#	CODE
1	DP25500	25	50
	DP25500B*	25	51
	DP35500	30,35	52
2	DPD25613		53
3	DPV25049		54
4	DPT25004	25	55
	DPT35005	30,35	56
5	DPT35004	30,35	57
6	DPV25382D	25	58
	DPV35382D	30,35	59
7	DPP25104	25	60
	DPP35105	30,35	61
8	DPP25106	25	62
	DPP35104	30,35	63
9	DPP25105	25	64
	DPP35103	30,35	65
10	DPD25029		66
11	DPV25931C		67
12	DPV25930C		68
13	DPD25021		69
14	DPD25901F	25	70
	DPD35901F	30,35	71
15	DPV25326		72
16	DPV25331B		73
17	DPV25327		74
18	DPV25325A		75
19	DPV25366C		76
20	DPV25932C	25	77
	DPV35932A	30,35	78
21	DPV25827		79
22	SP60		80
23	OT11		81
24	DPD25059		82
25	PEL943		83
26	DPD25011		84
27	TS106		85
28	DPD25110		86
29	DPV25360		87
30	DPV25363B		88
31	TS103		89
32	DPD25020	25	90
	DPD25080*	25	91
	DPD45909B	30,35	92
33	DPD25001B		93
34	DPV25116	25	94
	DPV25081*	25	95
	DPV45040	30,35	96
35	DPD25016D	25	97
	DPD25202D	30,35	98
36	DPD45005		99
37	DPV25921B		100
38	DPV15930D		101
39	DPV15921		102
40	DPD25065		103
41	DPV45035A		104
42	DPV15925		105
43	DPV15924A		106
44	TS091		107
45	TS094A		108
46	OT19C		109
47	DPD25016A	25	110
	DPD45003	30,35	
48	DP015900		
49	DP015014		
50	DPD15030		
51	DP015016		
52	AT46C		
53	DPD25034		
54	DPD25073		
55	DP015027B		
56	DPO25601C	25	
	DP035601D	30,35	
57	DP025813		
58	DPO25792	25	
	DP035792	30,35	
59	DP015032D		
60	DPO25603D	25	
	DP035603D	30,35	
61	DP015009B		
62	ADF25807		
63	ADF25223		
64	DPO25804		
65	DPO25816		
66	DPV25818		
67	DPV25821		
68	DPV25817		
69	DPD25420		
70	DPD25430		
71	DPO25642		
72	DPO25800		
73	DPO25680		
74	DPO25554		
75	DPD25601		
76	DPV25095A		
77	DPV25371A		
78	ADF25847		
79	ADF25220A		
80	DPV25803		
81	PEL0490		
82	DPO25521A		
83	DPD25606		
84	DPD25030		
85	DPD25605A		
86	DPV95086		
87	DPV25301		
88	DPV25329A		
89	DPV35711		
90	DPV25304		
91	DPV25303		
92	DPV25203		
93	DPV25500		
94	DPD15008A		
95	DP015006D		
96	DPV25504		
97	DPD25021		
98	DPC25005A		
99	DPD25646		
100	DPO25808		
101	DPD25632		
102	DPD25634		
103	DPD25631		
104	DPD25624		
105	DPD25627		
106	DPD25629		
107	DPD25621		
108	DPD25614		
109	DPD25626		
110	PELH30ACP		

\*11/2016 -





#	CODE
115	PELH30900A
116	H30921C
117	H30920B
118	H30940A
119	H30001
120	H30930A
121	H30009A
122	PR15
123	H30982
124	H30952
125	H30012A
126	H30961B
127	PELH30851
128	PELH30800A
129	TS215
130	PELH30807B
131	H30020
132	H30809
133	H30820
134	H30970A
135	H30808
136	H30806B
137	H30951B
138	H30807
139	H30122
140	H30014
141	H30804
142	H30803
143	H30003A
144	H30002
145	TH31
146	H30021
147	TH23A
148	H30980
149	ADF25640
150	PELH30830A
151	H30701C
152	H30008
153	H30813A



#	CODE	
90	DPV25329A	
91	DPV25303	
92	DPV25301	
93	DPV25304	
94	DPV25203	
95	DPA25902	
96	DPV25095A	
97	DPD25030A	
98	DPA25910	
99	DPD25420B	
100	DPV15086	
101	DPV15087	
102	DPD25430	
103	DPD25634	
104	PELH30ACP	25-35
	PELH50ACP	40-50

#	CODE	
73	DPD25420B	
74	DPD25601	
75	DPA25905	
76	DPV35711	
77	ADF25840	
78	DPD25605A	
79	DPD25636	40-50
	DPA25917	25-35
	DPA25918	40-50
80	DPD25632	
81	DPD25618	
82	DPV25818	
83	DPV25817	
84	DPV25821	
85	DPA25050	
86	DPA25049	
87	DPA25914	
88	ADF25807	
89	ADF25223	

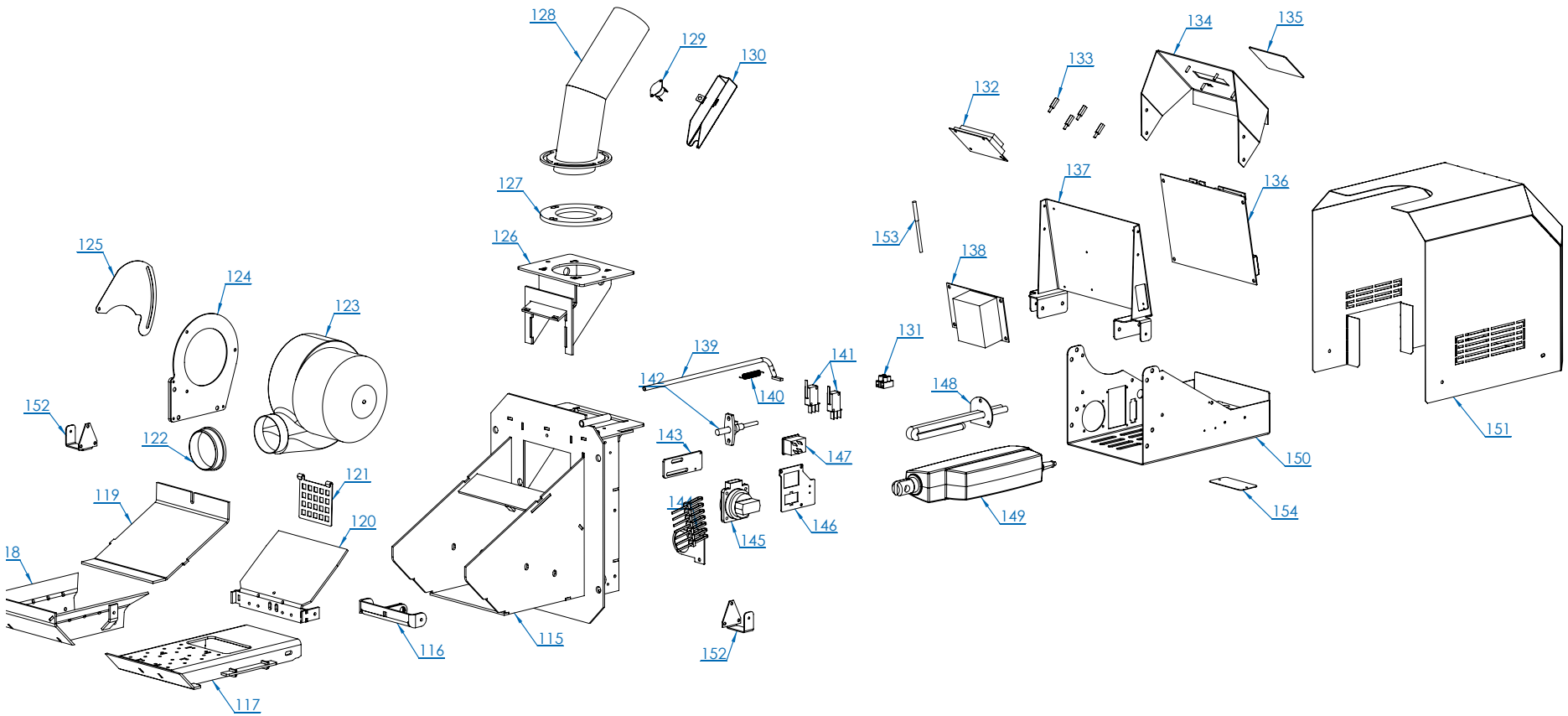
#	CODE	
56	DPV25931C	
57	DPD25366C	
58	DPV25325A	
59	DPV25331B	
60	DPV25326	
	DPA25001	25
61	DPA35001	30,35
	DPA45001	40-50
62	DPA15901	
63	DPD25901F	
64	DPD25021	
65	DPV25327	
66	DPV25049	
67	DPV25827	
68	DPV25932C	
69	DPV25371A	
70	DPD25605A	
71	DPD25606	
72	DPD25430	

#	CODE	
40	DPV45923	40-50
41	DPD25011	30-50
42	DPA15010A	25-35
	DPA45010A	40-55
43	TS106	
44	TS094A	
	DPA25008A	25
	DPA35008A	30,35
45	DPA45008A	40-50
46	DPA15904	
47	DPA15025	
48	DPA15014	
49	DPD25073	
50	DPD25034	
51	AT46C	
52	DPD25016A	
53	DPD15030	
54	OT19C	
55	DPD25059	

#	CODE	
24	DPD25016D	25
	DPD25202D	30-50
25	DPA45900	30-50
26	DPV15930D	
27	DPV25930C	
28	TS103	
29	OT11	
30	DPV45035A	
31	DPV25360	
32	DPV25363B	
33	DPD25065	
	DPV15925	25-35
34	DPV15928	40-50
35	DPV15924A	
36	SP146	
37	DPV25921B	
38	TS091	
39	DPV15921	
40	PEL943	25-35

#	CODE	
11	DPV25500A	
12	DPA15905A	
13	DPV25504A	
14	DPD25069	
15	DPD25629	
16	DPD25626	
17	DPA15907	
	DPA25002	25
18	DPA35002	30,35
	DPA45002	40-55
19	DPA15903	
	DPD25080	25
20	DPD45909B	30,35
	DPD45909B	40-50
21	DPD25110	25-35
	DPD45120	40-50
22	DPD25001B	
	DPV25081	25
23	DPV45040	30-50

#	CODE	
	DP25500B	25
1	DP35500	30,35,
	DP45500	40-50
2	DPT25004	20
	DPT35005	30,35
	DPT45004	40-50
3	DPT35004	30-50
	DPP25105	25
4	DPP35103	30,35
	DPP45103	40-50
	DPP25106	25
5	DPP35104	30,35
	DPP45104	40-50
6	DPV25104	25,40-50
	DPP35105	30,35
7	ADF25911	
8	DPD25631	
9	DPD25905	
10	DPD15008A	

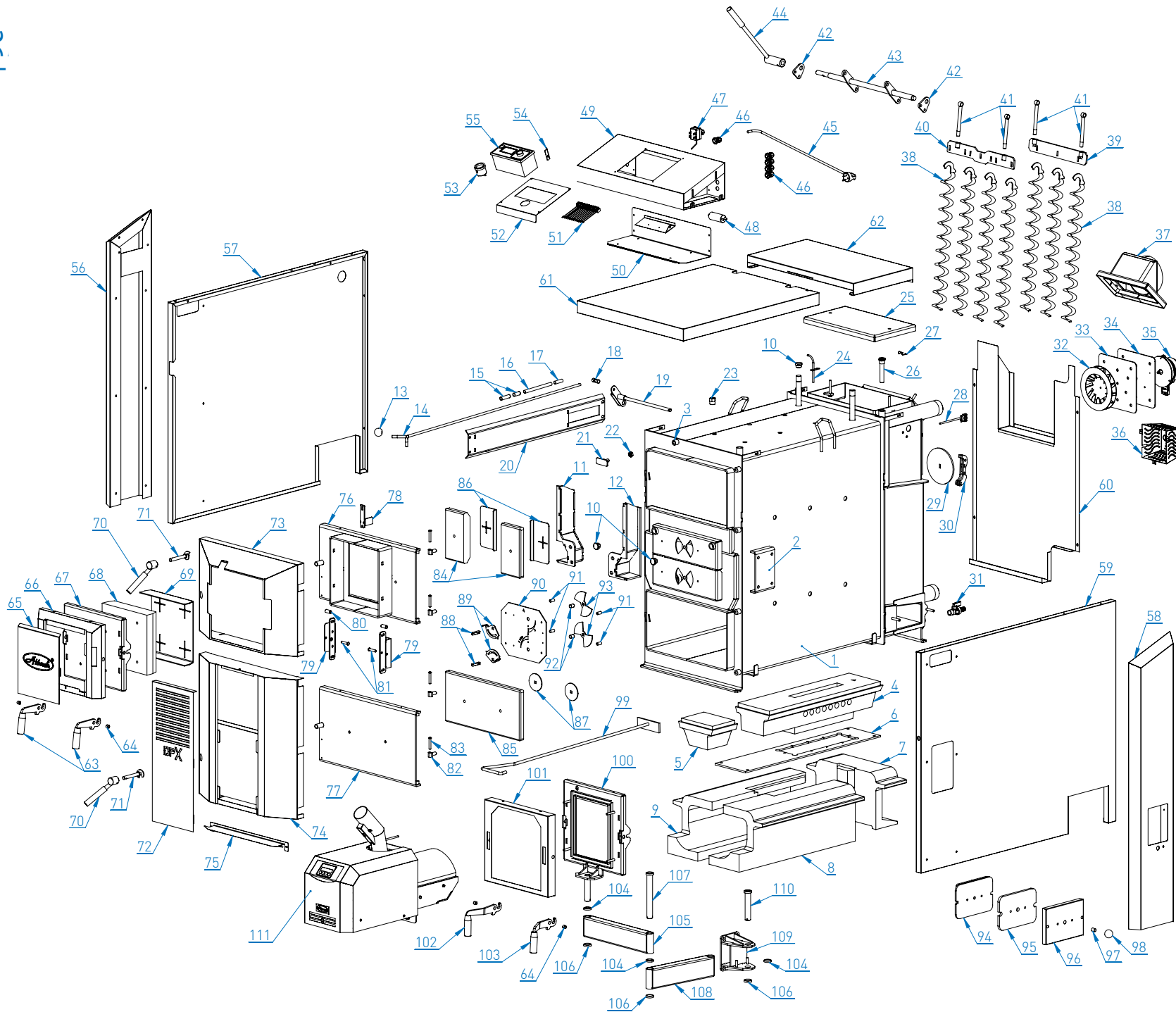


#	CODE
115	PELH30900A
116	H30921C
117	H30920B
118	H30940A
119	H30001
120	H30930A
121	H30009A
122	PR15
123	H30982
124	H30952
125	H30012A
126	H30961B

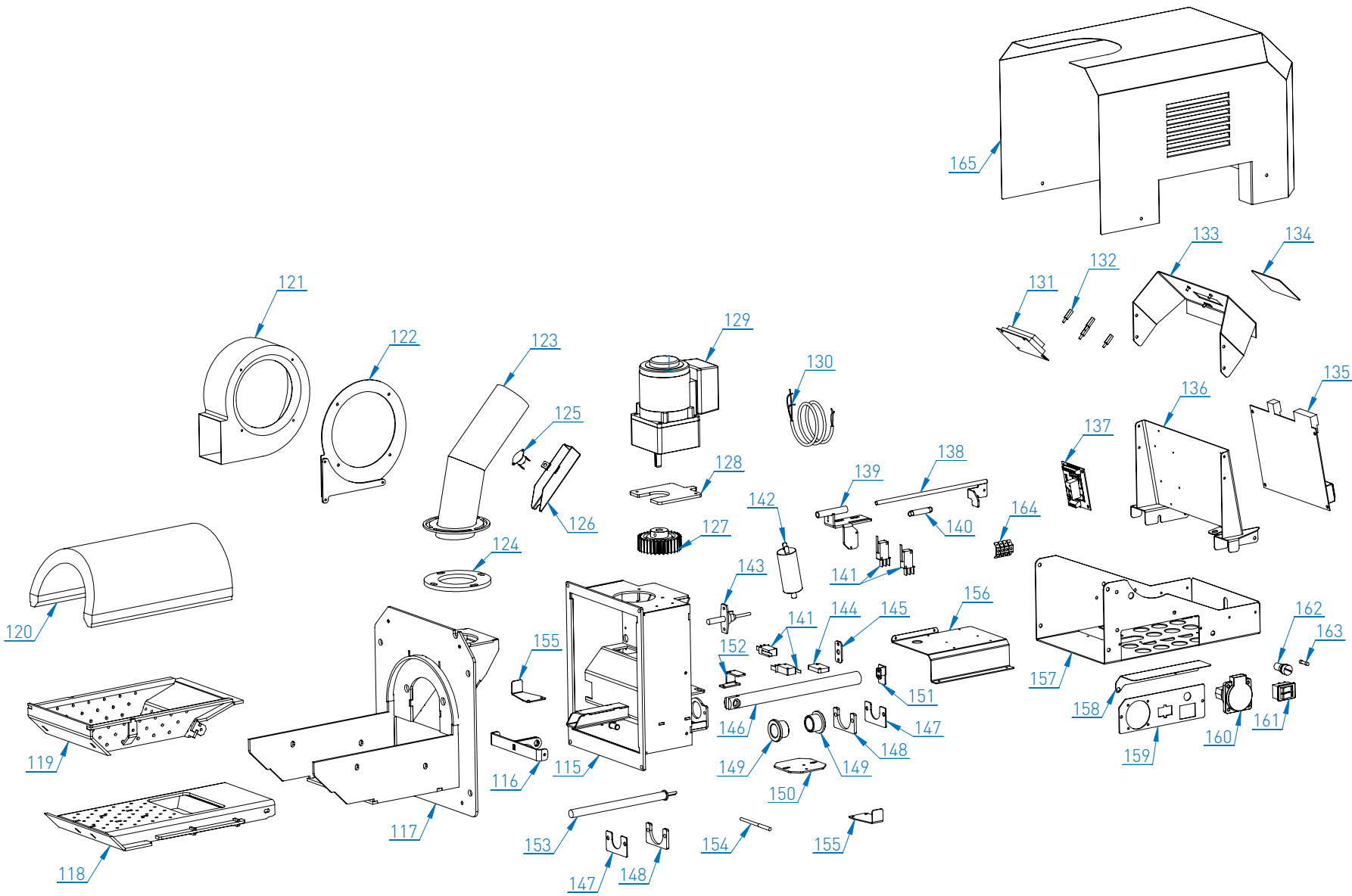
#	CODE
127	PELH30851
128	PELH30800A
129	TS215
130	PELH30807B
131	H30020
132	H30809
133	H30820
134	H30970A
135	H30808
136	H30806B
137	H30951B
138	H30807

#	CODE
139	H30122
140	H30014
141	H30804
142	H30803
143	H30003A
144	H30002
145	TH31
146	H30021
147	TH23A
148	H30980
149	ADF25640
150	PELH30830A

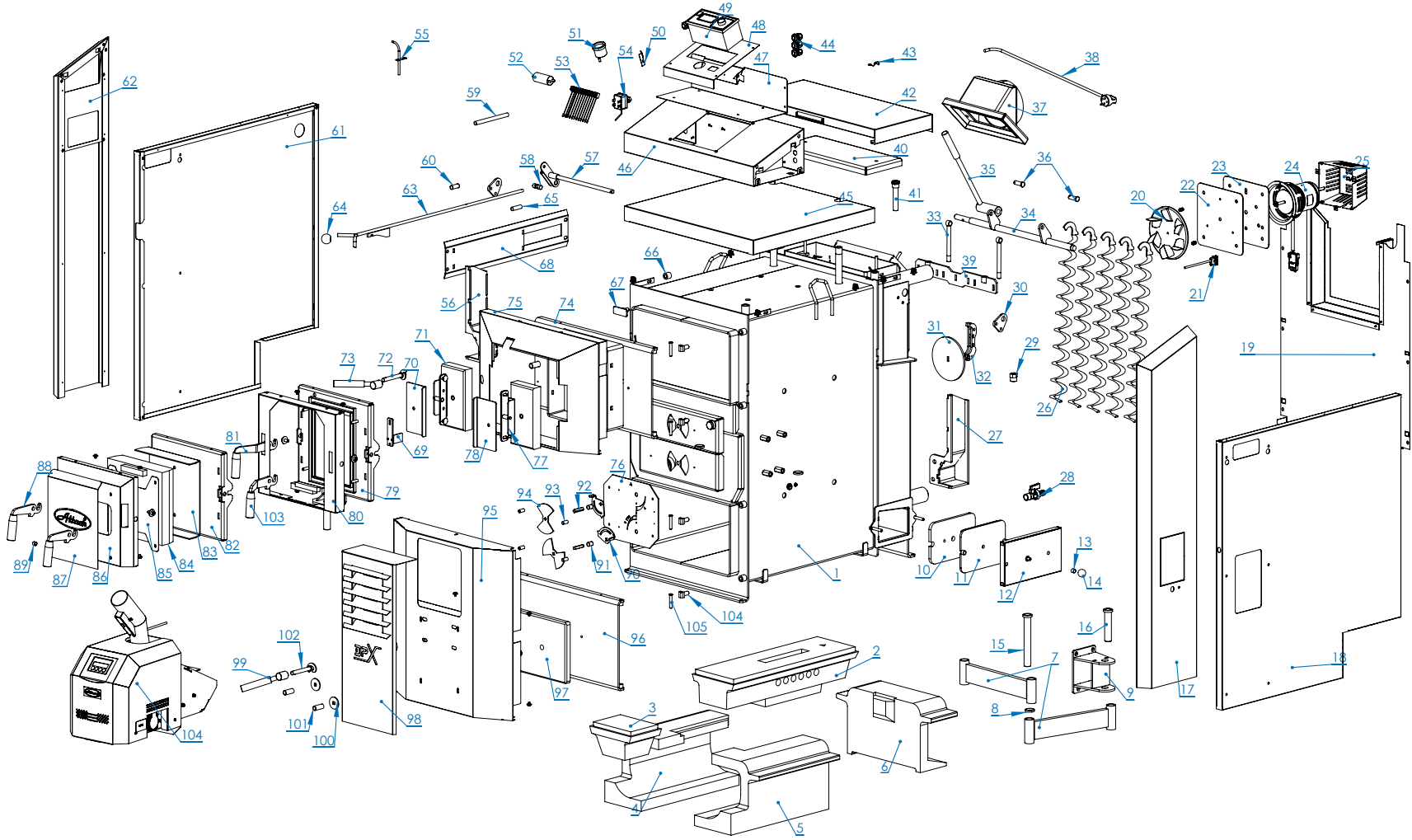
#	CODE
151	H30701C
152	H30008
153	H30813A
154	PELH30811



#	CODE	#	CODE
1	DP45500	57	DPO45601C
2	DPD25613	58	DPO25813
3	DPV25049	59	DPO45792
4	DPT45004	60	DPO15032D
5	DPT35004	61	DPO45603C
6	DPV45382D	62	DPO45009B
7	DPP25104	63	ADF25807
8	DPP45104	64	ADF25223
9	DPP45103	65	DPO25804
10	DPD25029	66	DPO25816
11	DPV25931C	67	DPV25818
12	DPV25930C	68	DPV25821
13	DPD25021	69	DPV25817
14	DPD45901	70	DPD25420B
15	DPV25326	71	DPD25430
16	DPV25331B	72	DPO25642
17	DPV25327	73	DPO25800
18	DPV25325A	74	DPO25680
19	DPV25366C	75	DPO25554
20	DPV45932	76	DPD25601
21	DPV25827	77	DPV25095A
22	SP60	78	DPV25371A
23	OT11	79	ADF25847
24	DPD25059	80	ADF25220A
25	DPV45923	81	DPV25803
26	DPD25011	82	PEL0490
27	TS106	83	DPO25521A
28	DPD45120	84	DPD25606
29	DPV25360	85	DPD25030
30	DPV25363B	86	DPD25605A
31	TS103	87	DPV95086
32	DPD45909C	88	DPV25301
33	DPD25001B	89	DPV25329A
34	DPV45040	90	DPV35711
35	DPD25202D	91	DPV25304
36	DPD45005	92	DPV25303
37	DPV25921B	93	DPV25203
38	DPV15930D	94	DPV25500
39	DPV15923	95	DPD15008A
40	DPV15921	96	DPO15006D
41	DPD25065	97	DPV25504
42	DPV45035A	98	DPD25021
43	DPV15928	99	DPC25005A
44	DPV15924A	100	DPD25636
45	TS091	101	DPO25807A
46	TS094A	102	DPD25632
47	OT19C	103	DPD25634
48	DPD45003	104	DPD25631
49	DPO15900	105	DPD25624
50	DPO15014	106	DPD25627
51	DPD15030	107	DPD25629
52	DPO15016	108	DPD25621
53	AT46C	109	DPD25614
54	DPD25034	110	DPD25626
55	DPD25073	111	PELH50ACP
56	DPO15027B		



#	CODE
115	PELH50907A
116	PELH50906
117	PELH50901
118	PELH50905A
119	PELH50904A
120	PELH50044A
121	PELH50045
122	PELH50909
123	PELH30800A
124	PELH30851
125	TS215
126	PELH30807B
127	PELH50912
128	PELH50049
129	PEL937
130	PELH50068
131	H30809
132	H30820
133	PELH50911
134	H30808
135	H30806B
136	PELH50910
137	PELH50058
138	PELH50913
139	PELH50914
140	H30014
141	H30804
142	DPD45003
143	H30803
144	PELH50077
145	PELH50047
146	PELH50056A
147	PELH50051
148	PELH50052
149	PELH50055
150	PELH50076
151	PELH50054
152	PELH50066
153	H30980A
154	H30813A
155	PELH50050A
156	PELH50053
157	PELH50046B
158	PELH50081
159	PELH50064
160	TH31
161	TH23A
162	TH05A
163	TH06B
164	TS118L
165	PELH50040A



#	CODE	
1	DP25500B	25
	DP35500	30,35
	DP45500	40-50
2	DPT25004	20
	DPT35005	30,35
	DPT45004	40-50
3	DPT35004	30-50
	DPP25105	25
4	DPP35103	30,35
	DPP45103	40-50
	DPP25106	25
5	DPP35104	30,35
	DPP45104	40-50
	DPP25104	25,40-50
6	DPP35105	30,35
7	ADF25911	
8	DPD25631	
9	DPD25905	
10	DPD15008A	

#	CODE	
11	DPV25500A	
12	DPA15905A	
13	DPV25504A	
14	DPD25069	
15	DPD25629	
16	DPD25626	
17	DPA15907	
	DPA25002	25
18	DPA35002	30,35
	DPA45002	40-55
19	DPA15903	
	DPD25080	25
20	DPD45909B	30,35
	DPD45909B	40-50
21	DPD25110	25-35
	DPD45120	40-50
22	DPD25001B	
	DPV25081	25
23	DPV45040	30-50

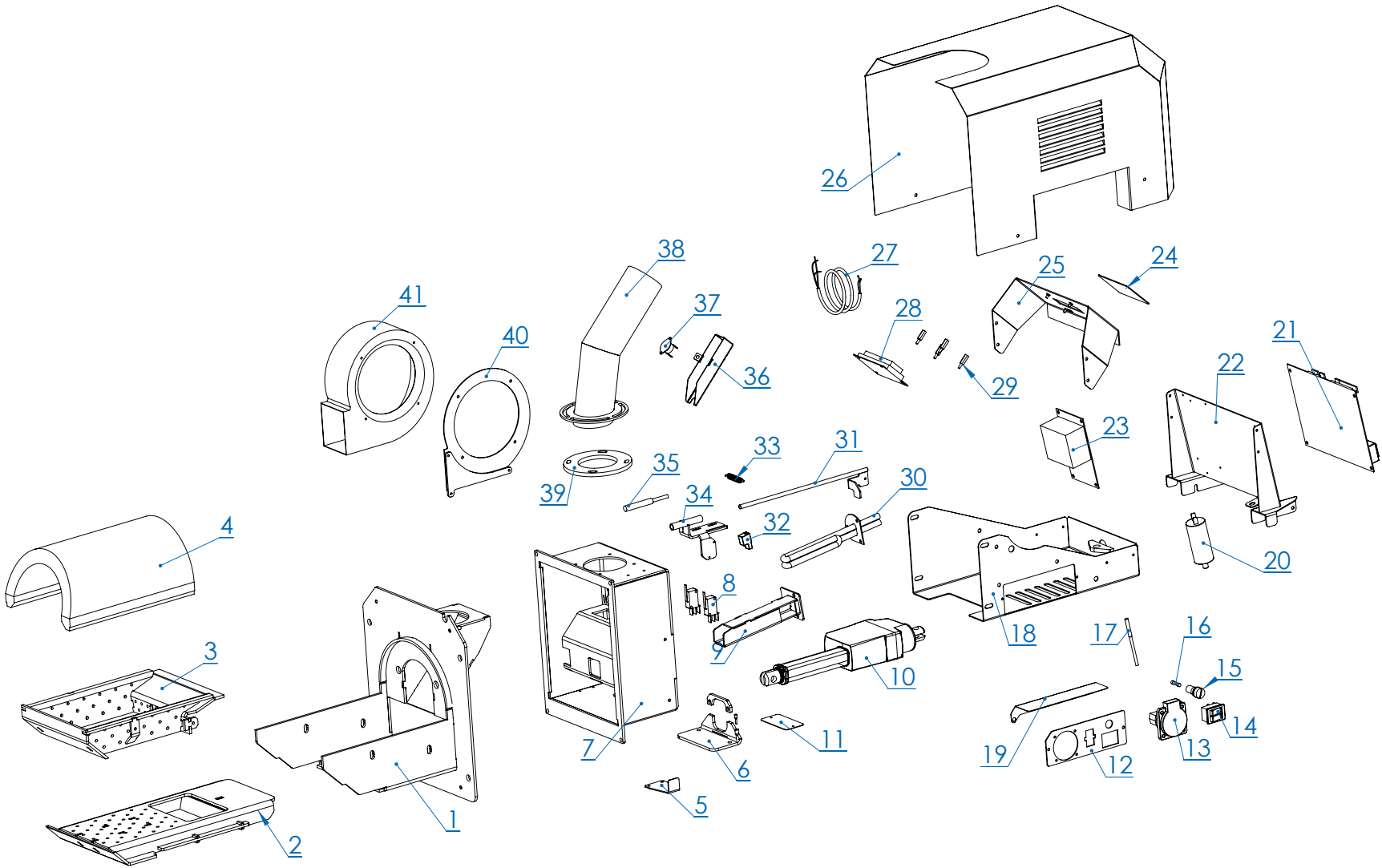
#	CODE	
24	DPD25016D	25
	DPD25202D	30-50
25	DPA45900	30-50
26	DPV15930D	
27	DPV25930C	
28	TS103	
29	OT11	
30	DPV45035A	
31	DPV25360	
32	DPV25363B	
33	DPD25065	
34	DPV15925	25-35
	DPV15928	40-50
35	DPV15924A	
36	SP146	
37	DPV25921B	
38	TS091	
39	DPV15921	
40	PEL943	25-35

#	CODE	
40	DPV45923	40-50
41	DPD25011	
42	DPA15010A	25-35
	DPA45010A	40-55
43	TS106	
44	TS094A	
	DPA25008A	25
45	DPA35008A	30,35
	DPA45008A	40-50
46	DPA15904	
47	DPA15025	
48	DPA15014	
49	DPD25073	
50	DPD25034	
51	AT46C	
52	DPD25016A	
53	DPD15030	
54	OT19C	
55	DPD25059	

#	CODE	
56	DPV25931C	
57	DPV25366C	
58	DPV25325A	
59	DPV25331B	
60	DPV25326	
	DPA25001	25
61	DPA35001	30,35
	DPA45001	40-50
62	DPA15901	
63	DPD25901F	
64	DPD25021	
65	DPV25327	
66	DPV25049	
67	DPV25827	
68	DPV25932C	
69	DPV25371A	
70	DPD25605A	
71	DPD25606	
72	DPD25430	

#	CODE	
73	DPD25420B	
74	DPD25601	
75	DPA25905	
76	DPV35711	
77	ADF25840	
78	DPD25605A	
	DPD25646	25-35
79	DPD25636	40-50
	DPA25917	25-35
80	DPA25918	40-50
81	DPD25632	
82	DPV25818	
83	DPV25817	
84	DPV25821	
85	DPA25050	
86	DPA25049	
87	DPA25914	
88	ADF25807	
89	ADF25223	

#	CODE	
90	DPV25329A	
91	DPV25303	
92	DPV25301	
93	DPV25304	
94	DPV25203	
95	DPA25902	
96	DPV25095A	
97	DPD25030A	
98	DPA25910	
99	DPD25420B	
100	DPV15086	
101	DPV15087	
102	DPD25430	
103	DPD25634	
	PELH30ACP	25-35
104	PELH50ACP	40-50

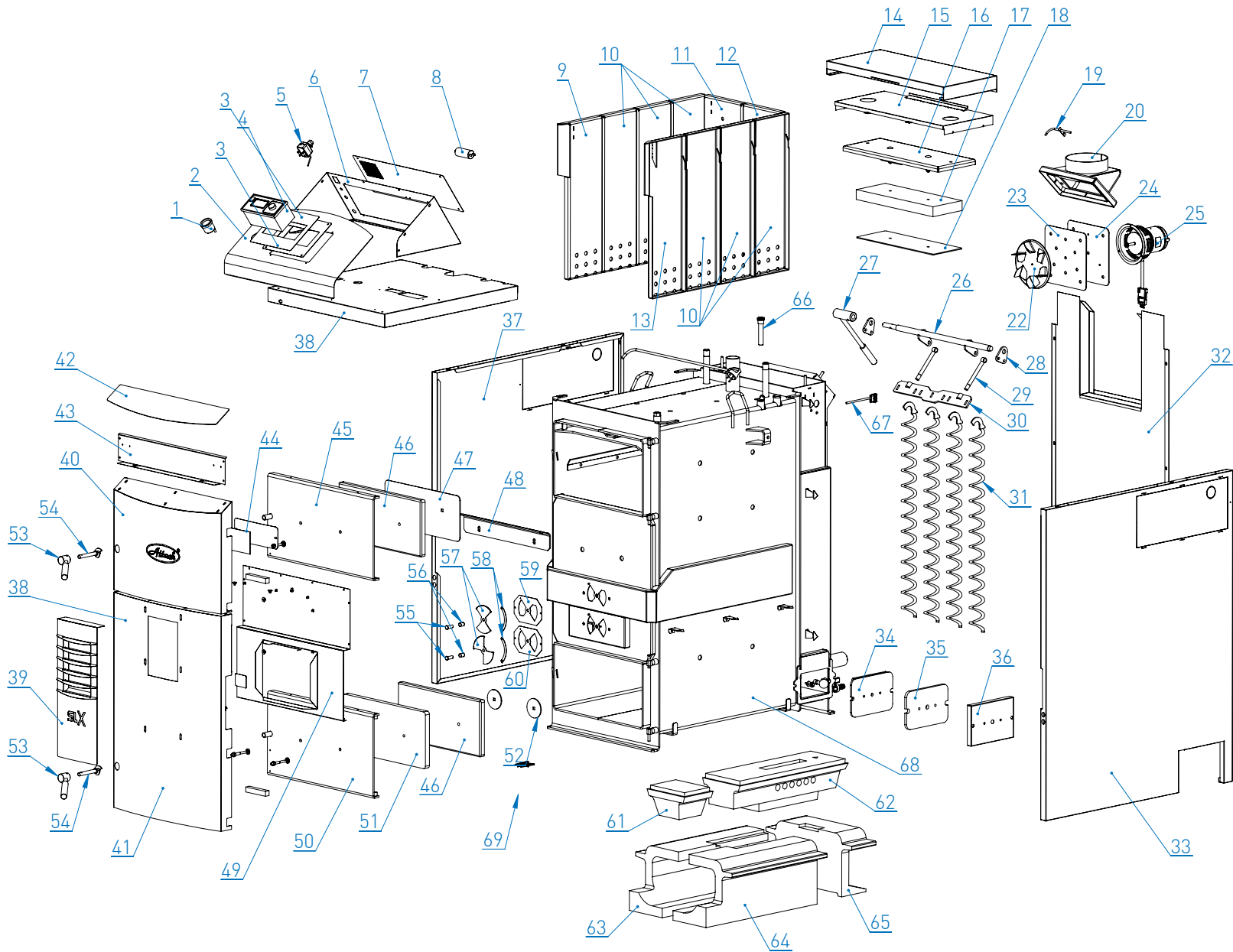


#	CODE
115	PELH30900A
116	H30921C
117	H30920B
118	H30940A
119	H30001
120	H30930A
121	H30009A
122	PR15
123	H30982
124	H30952

#	CODE
125	H30012A
126	H30961B
127	PELH30851
128	PELH30800A
129	TS215
130	PELH30807B
131	H30020
132	H30809
133	H30820
134	H30970A

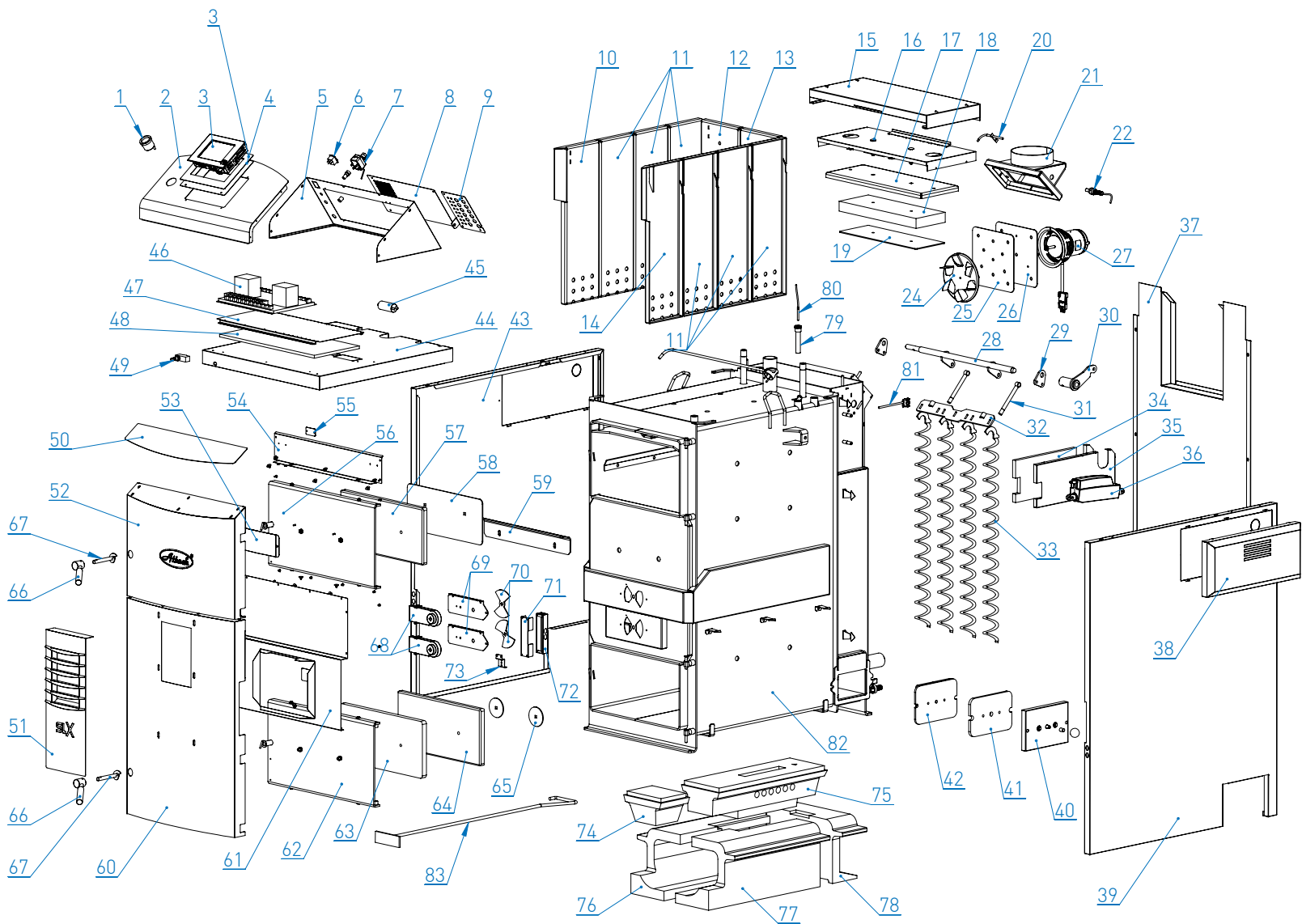
#	CODE
135	H30808
136	H30806B
137	H30951B
138	H30807
139	H30122
140	H30014
141	H30804
142	H30803
143	H30003A
144	H30002

#	CODE
145	TH31
146	H30021
147	TH23A
148	H30980
149	ADF25640
150	PELH30830A
151	H30701C
152	H30008
153	H30813A
154	PELH30811

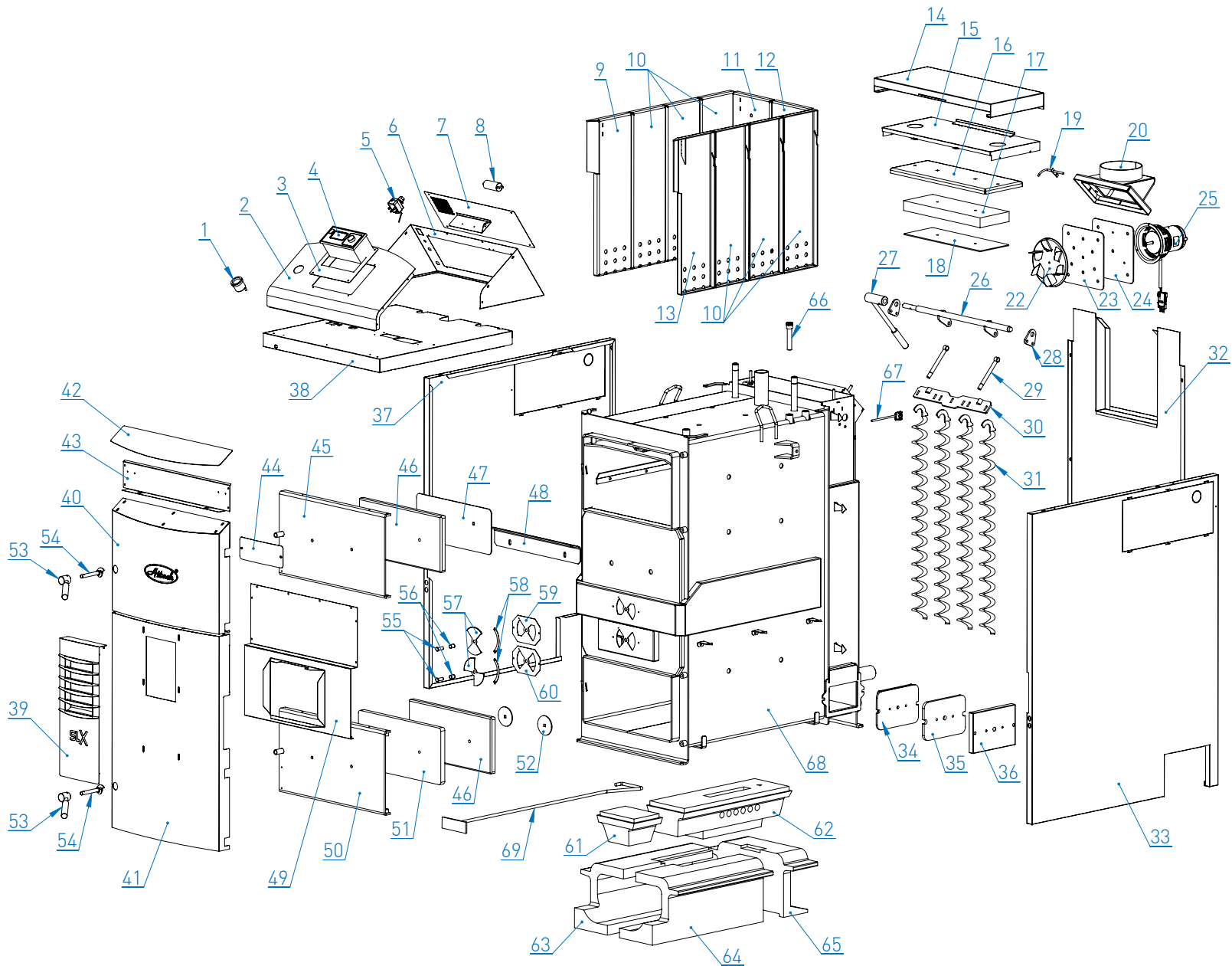


#	CODE	#	CODE
1	AT46C	36	DPO15006D
2	SL20935A	37	SL20036C
3	SL20102	38	SL20929A
4	DPD25073	39	SL20931
5	OT19C	40	SL20928A
6	SL20096A	41	SL20927A
7	SL20936A	42	SL20932
8	DPD25016A	43	SL20097A
9	SL20914A	44	SL20111A
10	SL20022A	45	SL20926A
11	SL20913A	46	DPD25030
12	SL20912A	47	SL20121
13	SL20915A	48	SL20033
14	DPO15009B	49	SL20098A
15	SL20122A	50	DPV25095A
16	SL20911	51	SL20123
17	SL20040	52	DPV95086
18	SL20041	53	DPD25420B
19	DPD25059	54	DPD25430
20	SL20937	55	SP111
21		56	DPV25303
22	DPD25080	57	SL20068
23	DPD25001B	58	DK418
24	DPV25081	59	SL20066
25	DPD25016D	60	SL20067
26	DPV15925	61	DPT35004
27	DPV15924A	62	DPT20001
28	DPV45035A	63	DPP35103
29	DPD25065	64	DPP35104
30	DPV15921	65	DPP35105
31	SL20924	66	DPD25011
32	SL20916A	67	DPD25110
33	SL20034C	68	SL20901
34	DPV25500	69	DPC25005A
35	DPD15008A	70	

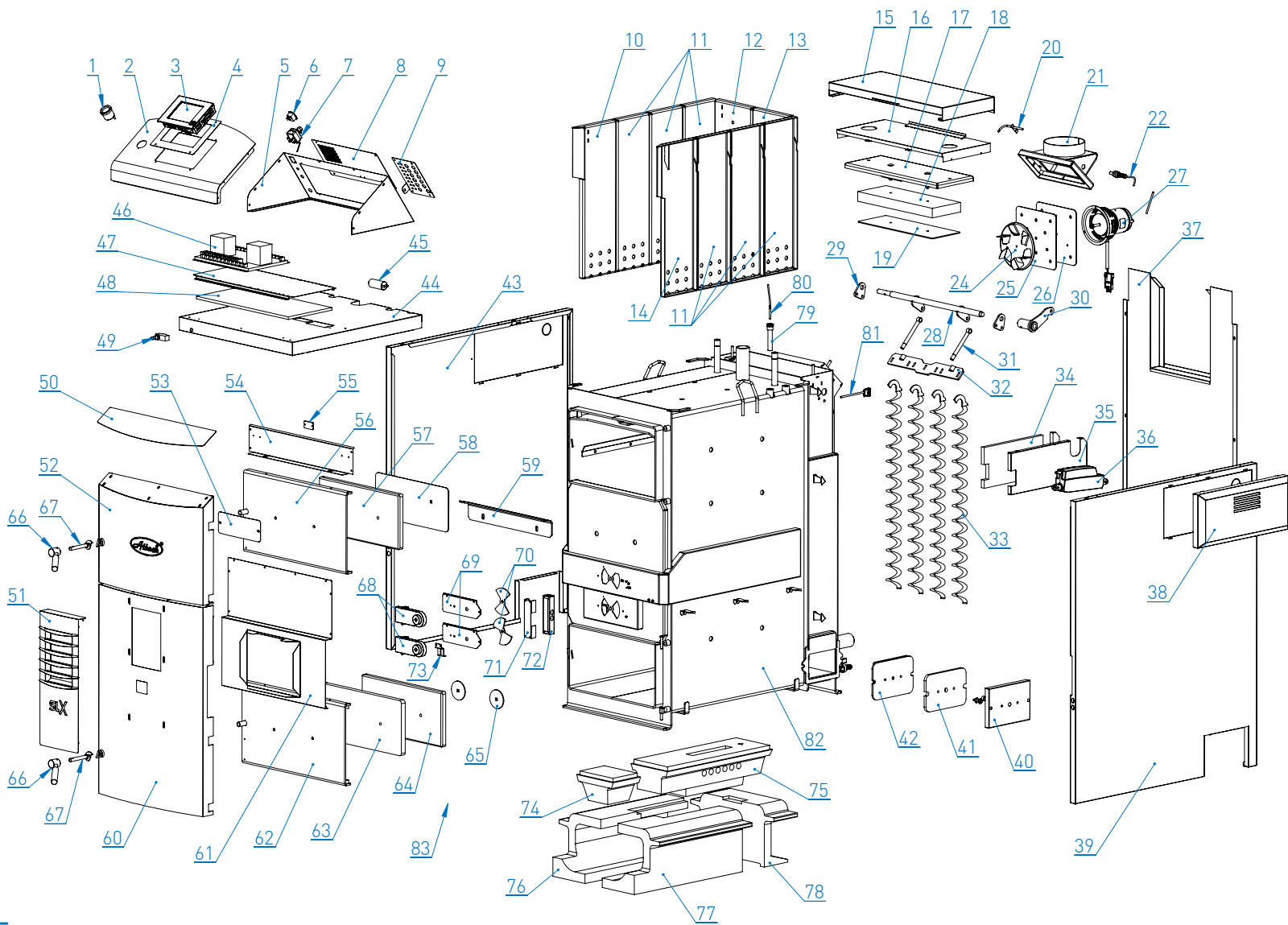




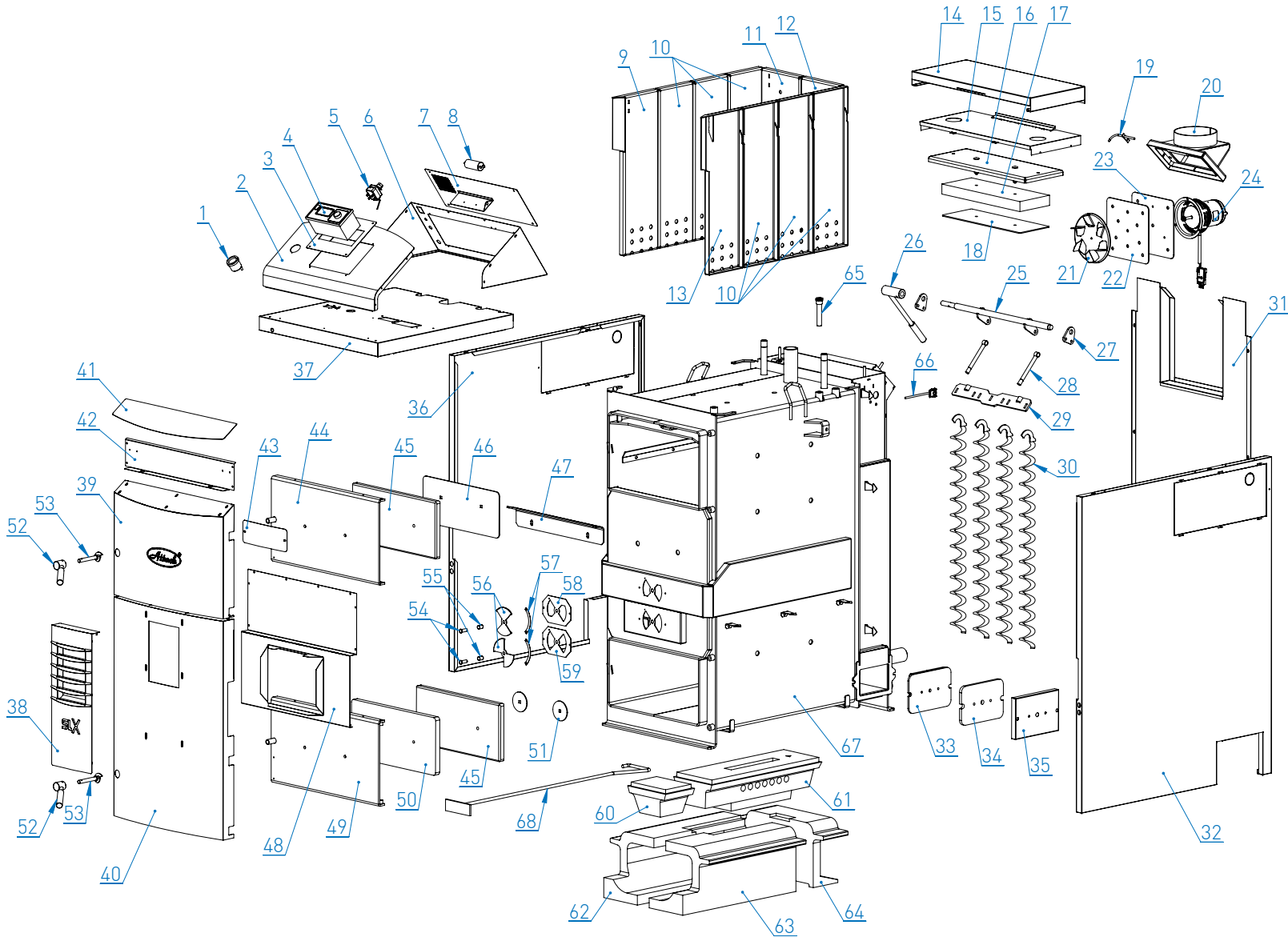
#	CODE	#	CODE
1	AT46C	43	SL20036C
2	SL20935A	44	SL20929A
3	DPD25221	45	DPD15016A
4	SL20092	46	DPD25220
5	SL20096A	47	SL20107
6	TS095A	48	SL20108
7	OT19C	49	ADF25478
8	SL20119A	50	SL20932
9	SL20120	51	SL20931
10	SL20914A	52	SL20928A
11	SL20022A	53	SL20111A
12	SL20913A	54	SL20097A
13	SL20912A	55	SL20124
14	SL20915A	56	SL20926A
15	DPO15009B	57	DPD25030
16	SL20122A	58	SL20121
17	SL20911	59	SL20033
18	SL20040	60	SL20927A
19	SL20041	61	SL20098A
20	DPD25059	62	DPV25095A
21	ADF25816	63	SL20123
22	DPD25223	64	DPD25030
23		65	DPV95086
24	DPD25080	66	DPD25420B
25	DPD25001B	67	DPD25430
26	DPV25081	68	DPD25216
27	DPD25016D	69	SL20032
28	DPV15925	70	DPV25203
29	DPV45035A	71	SL20118A
30	SL20919B	72	SL20095A
31	DPD25065	73	SL20129
32	DPV15921	74	DPT35004
33	SL20924	75	DPT20001
34	SL20130	76	DPP35103
35	SL20128A	77	DPP35104
36	H30810	78	DPP35105
37	SL20916A	79	DPD25011
38	SL20055B	80	ADF25602
39	SL20034C	81	DPD25110
40	DPO15006D	82	SL20901
41	DPD15008A	83	DPC25005A
42	DPV25500		



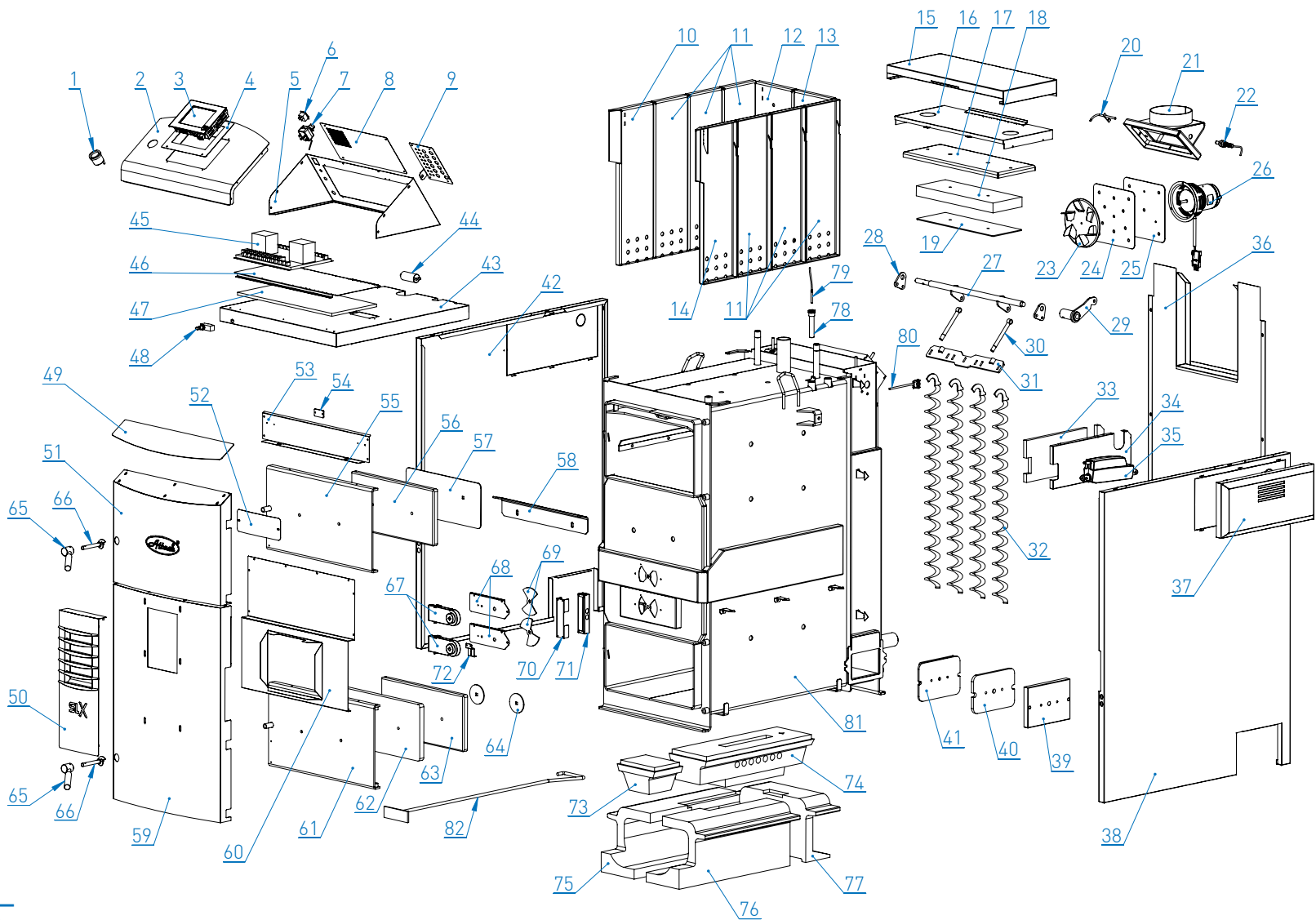
#	CODE	#	CODE
1	AT46C	36	DPO15006D
2	SL20935A	37	SL20036C
3	SL20102	38	SL20929A
4	DPD25073	39	SL20931
5	OT19C	40	SL20928A
6	SL20096A	41	SL20927A
7	SL20936A	42	SL20932
8	DPD25016A	43	SL20097A
9	SL20914A	44	SL20111A
10	SL20022A	45	SL20926A
11	SL20913A	46	DPD25030
12	SL20912A	47	SL20121
13	SL20915A	48	SL20033
14	DPO15009B	49	SL20098A
15	SL20122A	50	DPV25095A
16	SL20911	51	SL20123
17	SL20040	52	DPV95086
18	SL20041	53	DPD25420B
19	DPD25059	54	DPD25430
20	SL20937	55	SP111
21		56	DPV25303
22	DPD25080	57	SL20068
23	DPD25001B	58	DK418
24	DPV25081	59	SL20066
25	DPD25016D	60	SL20067
26	DPV15925	61	DPT35004
27	DPV15924A	62	DPT20001
28	DPV45035A	63	DPP35103
29	DPD25065	64	DPP35104
30	DPV15921	65	DPP35105
31	ADF25921	66	DPD25011
32	SL20916A	67	DPD25110
33	SL20034C	68	SL20901
34	DPV25500	69	DPC25005A
35	DPD15008A	70	



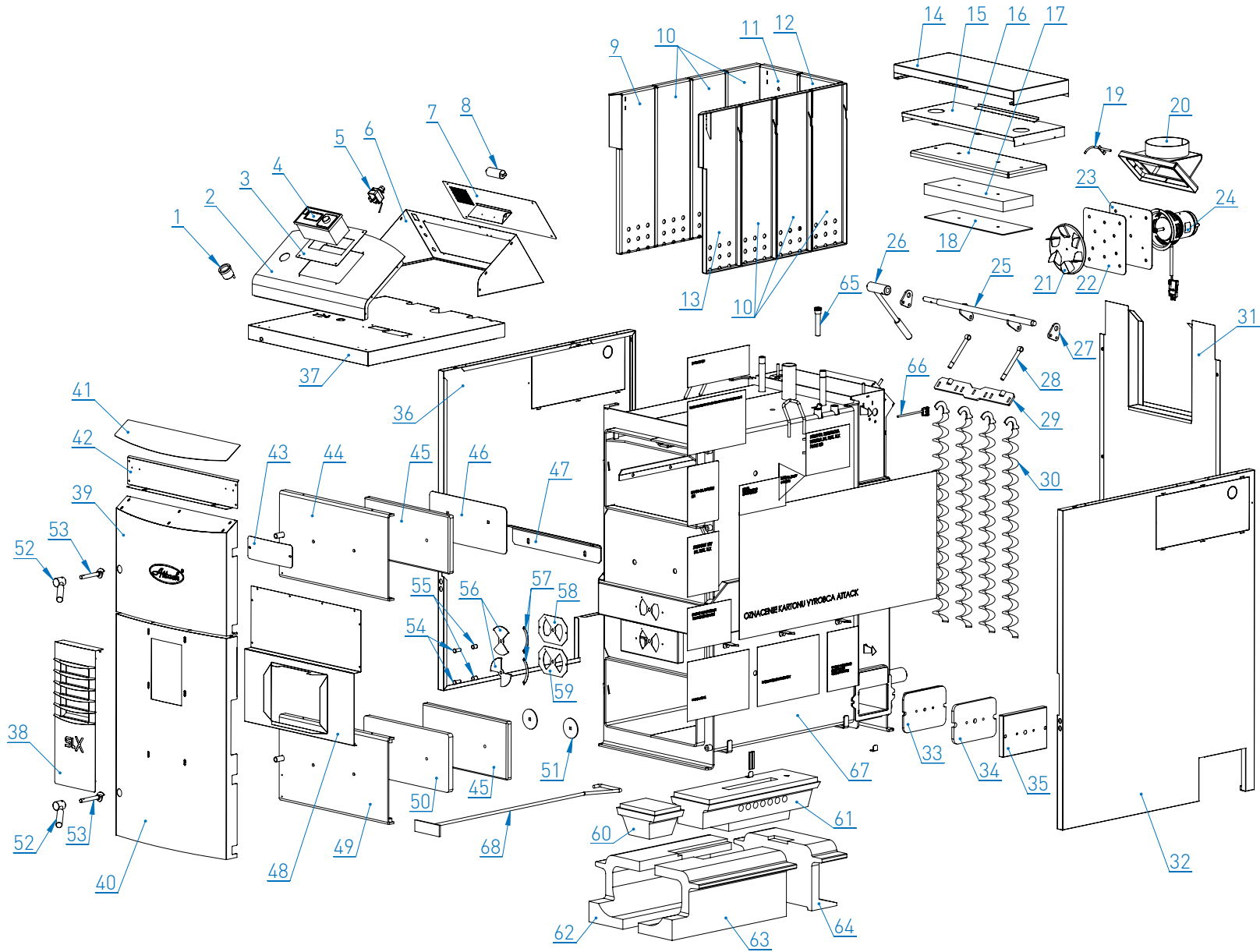
#	CODE	#	CODE
1	AT46C	43	SL20036C
2	SL20935A	44	SL20929A
3	DPD25221	45	DPD15016A
4	SL20092	46	DPD25220
5	SL20096A	47	SL20107
6	TS095A	48	SL20108
7	OT19C	49	ADF25478
8	SL20119A	50	SL20932
9	SL20120	51	SL20931
10	SL20914A	52	SL20928A
11	SL20022A	53	SL20111A
12	SL20913A	54	SL20097A
13	SL20912A	55	SL20124
14	SL20915A	56	SL20926A
15	DPO15009B	57	DPD25030
16	SL20122A	58	SL20121
17	SL20911	59	SL20033
18	SL20040	60	SL20927A
19	SL20041	61	SL20098A
20	DPD25059	62	DPV25095A
21	ADF25816	63	SL20123
22	DPD25223	64	DPD25030
23		65	DPV95086
24	DPD25080	66	DPD25420B
25	DPD25001B	67	DPD25430
26	DPV25081	68	DPD25216
27	DPD25016D	69	SL20032
28	DPV15925	70	DPV25203
29	DPV45035A	71	SL20118A
30	SL20919B	72	SL20095A
31	DPD25065	73	SL20129
32	DPV15921	74	DPT35004
33	ADF25921	75	DPT20001
34	SL20130	76	DPP35103
35	SL20128A	77	DPP35104
36	H30810	78	DPP35105
37	SL20916A	79	DPD25011
38	SL20055B	80	ADF25602
39	SL20034C	81	DPD25110
40	DPO15006D	82	SL20901
41	DPD15008A	83	DPC25005A
42	DPV25500		



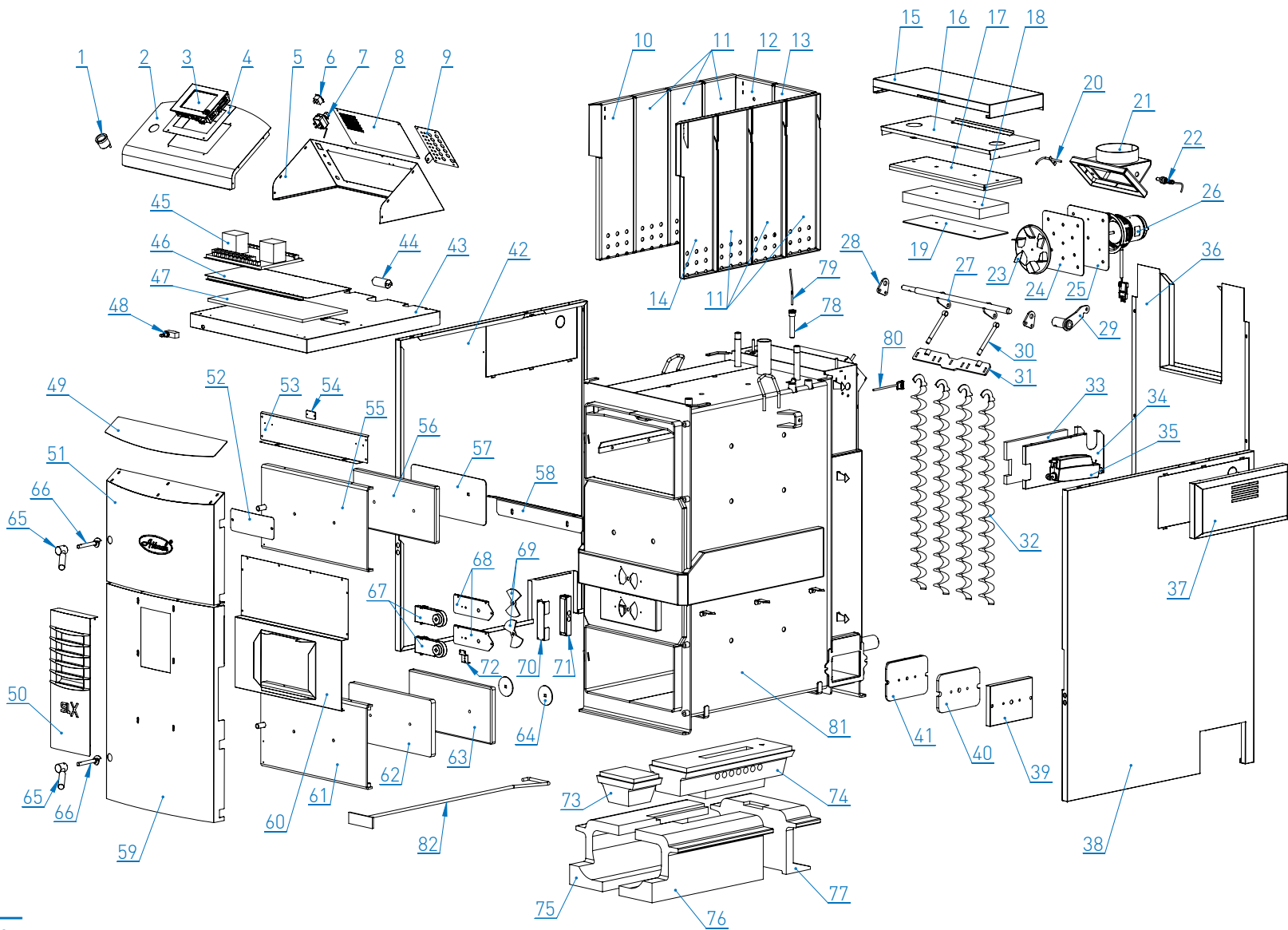
#	CODE	#	CODE
1	AT46C	35	DP015006D
2	SL20935A	36	SL20036C
3	SL20102	37	SL20929A
4	DPD25073	38	SL20931
5	OT19C	39	SL20928A
6	SL20096A	40	SL20927A
7	SL20936A	41	SL20932
8	DPD25016A	42	SL20097A
9	SL20914A	43	SL20111A
10	SL20022A	44	SL20926A
11	SL20913A	45	DPD25030
12	SL20912A	46	SL20121
13	SL20915A	47	SL20033
14	DP015009B	48	SL20098A
15	SL20122A	49	DPV25095A
16	SL20911	50	SL20123
17	SL20040	51	DPV95086
18	SL20041	52	DPD25420B
19	DPD25059	53	DPD25430
20	SL20937	54	SP111
21	DPD25080	55	DPV25303
22	DPD25001B	56	SL20068
23	DPV25081	57	DK418
24	DPD25016D	58	SL20066
25	DPV15925	59	SL20067
26	DPV15924A	60	DPT35004
27	DPV45035A	61	DPT35005
28	DPD25065	62	DPP35103
29	DPV15921	63	DPP35104
30	ADF25921	64	DPP35105
31	SL20916A	65	DPD25011
32	SL20034C	66	DPD25110
33	DPV25500	67	SL20901
34	DPD15008A	68	DPC25005A



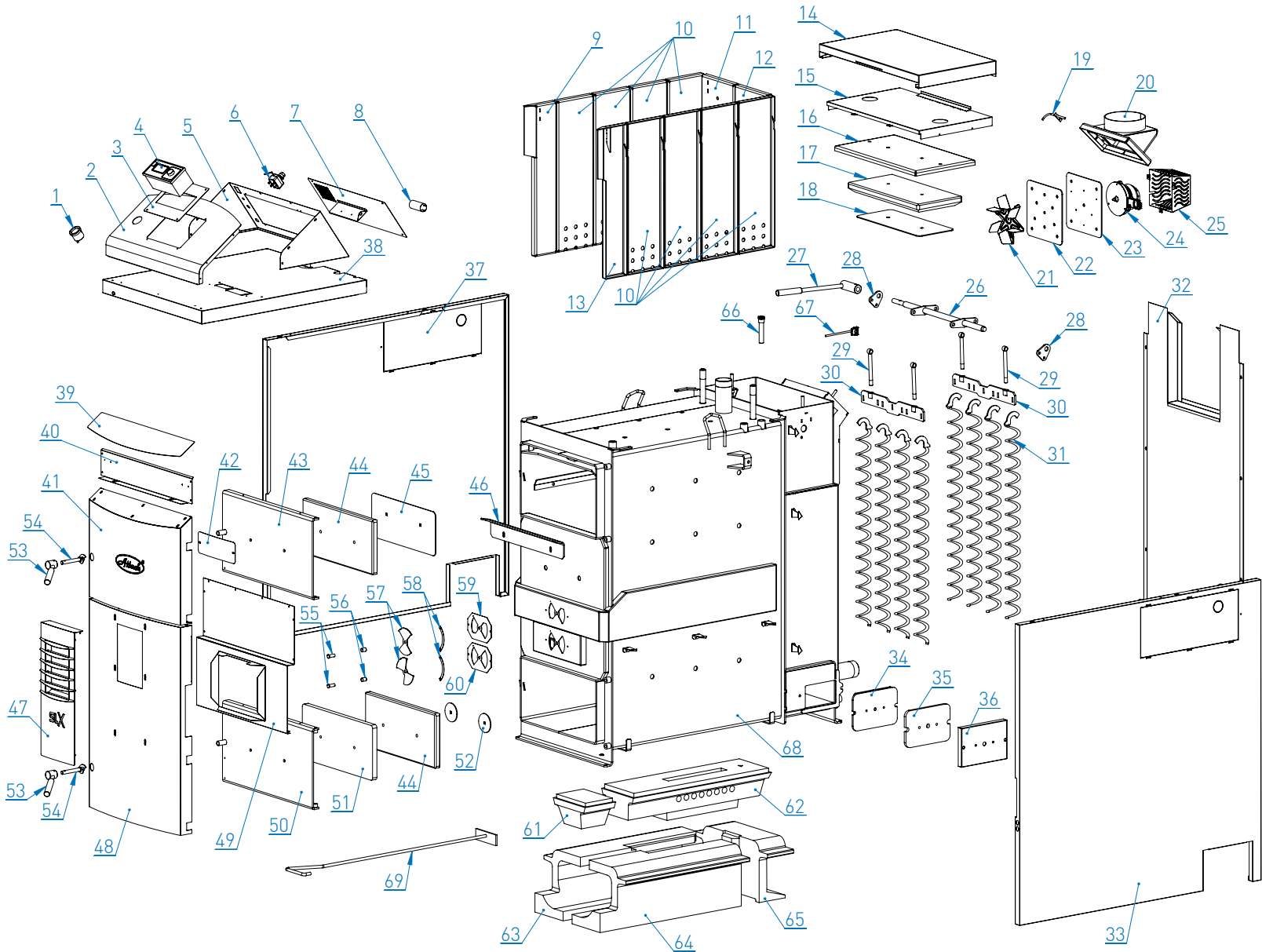
#	CODE	#	CODE
1	AT46C	42	SL20036C
2	SL20935A	43	SL20929A
3	DPD25221	44	DPD15016A
4	SL20092	45	DPD25220
5	SL20096A	46	SL20107
6	TS095A	47	SL20108
7	OT19C	48	ADF25478
8	SL20119A	49	SL20932
9	SL20120	50	SL20931
10	SL20914A	51	SL20928A
11	SL20022A	52	SL20111A
12	SL20913A	53	SL20097A
13	SL20912A	54	SL20124
14	SL20915A	55	SL20926A
15	DPO15009B	56	DPD25030
16	SL20122A	57	SL20121
17	SL20911	58	SL20033
18	SL20040	59	SL20927A
19	SL20041	60	SL20098A
20	DPD25059	61	DPV25095A
21	ADF25816	62	SL20123
22	DPD25223	63	DPD25030
23	DPD25080	64	DPV95086
24	DPD25001B	65	DPD25420B
25	DPV25081	66	DPD25430
26	DPD25016D	67	DPD25216
27	DPV15925	68	SL20032
28	DPV45035A	69	DPV25203
29	SL20919B	70	SL20118A
30	DPD25065	71	SL20095A
31	DPV15921	72	SL20129
32	ADF25921	73	DPT35004
33	SL20130	74	DPT35005
34	SL20128A	75	DPP35103
35	H30810	76	DPP35104
36	SL20916A	77	DPP35105
37	SL20055B	78	DPD25011
38	SL20034C	79	ADF25602
39	DPO15006D	80	DPD25110
40	DPD15008A	81	SL20901
41	DPV25500	82	DPC25005A



#	CODE	#	CODE
1	AT46C	35	DP015006D
2	SL20935A	36	SL20036C
3	SL20102	37	SL20929A
4	DPD25073	38	SL20931
5	OT19C	39	SL20928A
6	SL20096A	40	SL20927A
7	SL20936A	41	SL20932
8	DPD25016A	42	SL20097A
9	SL20914A	43	SL20111A
10	SL20022A	44	SL20926A
11	SL20913A	45	DPD25030
12	SL20912A	46	SL20121
13	SL20915A	47	SL20033
14	DP015009B	48	SL20098A
15	SL20122A	49	DPV25095A
16	SL20911	50	SL20123
17	SL20040	51	DPV95086
18	SL20041	52	DPD25420B
19	DPD25059	53	DPD25430
20	SL20937	54	SP111
21	DPD25080	55	DPV25303
22	DPD25001B	56	SL20068
23	DPV25081	57	DK418
24	DPD25016D	58	SL20066
25	DPV15925	59	SL20067
26	DPV15924A	60	DPT35004
27	DPV45035A	61	DPT35005
28	DPD25065	62	DPP35103
29	DPV15921	63	DPP35104
30	SL20940	64	DPP35105
31	SL20916A	65	DPD25011
32	SL20034C	66	DPD25110
33	DPV25500	67	SL20901
34	DPD15008A	68	DPC25005A

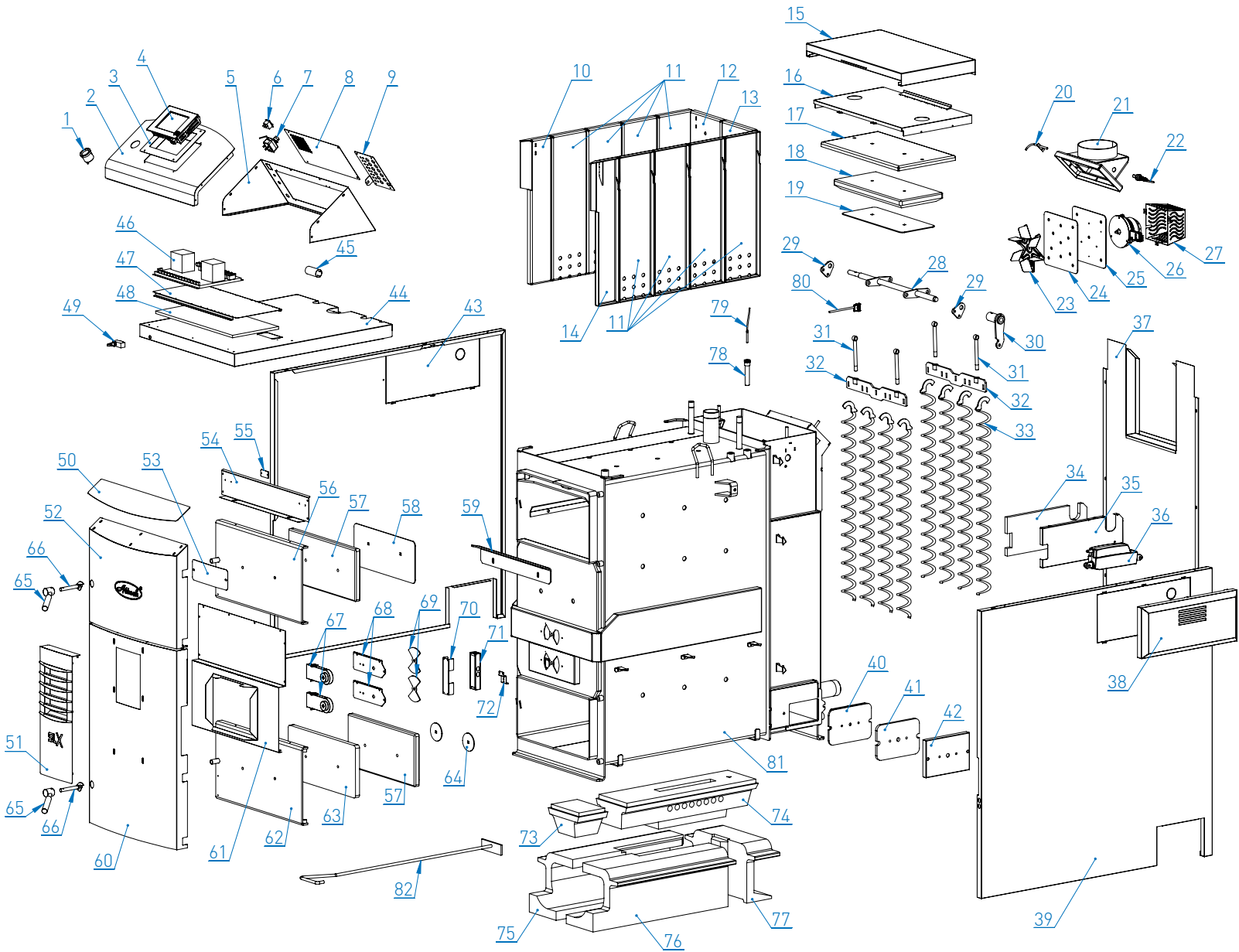


#	CODE	#	CODE
1	AT46C	42	SL20036C
2	SL20935A	43	SL20929A
3	DPD25221	44	DPD15016A
4	SL20092	45	DPD25220
5	SL20096A	46	SL20107
6	TS095A	47	SL20108
7	OT19C	48	ADF25478
8	SL20119A	49	SL20932
9	SL20120	50	SL20931
10	SL20914A	51	SL20928A
11	SL20022A	52	SL20111A
12	SL20913A	53	SL20097A
13	SL20912A	54	SL20124
14	SL20915A	55	SL20926A
15	DPD15009B	56	DPD25030
16	SL20122A	57	SL20121
17	SL20911	58	SL20033
18	SL20040	59	SL20927A
19	SL20041	60	SL20098A
20	DPD25059	61	DPV25095A
21	ADF25816	62	SL20123
22	DPD25223	63	DPD25030
23	DPD25080	64	DPV95086
24	DPD25001B	65	DPD25420B
25	DPV25081	66	DPD25430
26	DPD25016D	67	DPD25216
27	DPV15925	68	SL20032
28	DPV45035A	69	DPV25203
29	SL20919B	70	SL20118A
30	DPD25065	71	SL20095A
31	DPV15921	72	SL20129
32	SL20940	73	DPT35004
33	SL20130	74	DPT35005
34	SL20128A	75	DPP35103
35	H30810	76	DPP35104
36	SL20916A	77	DPP35105
37	SL20055B	78	DPD25011
38	SL20034C	79	ADF25602
39	DPO15006D	80	DPD25110
40	DPD15008A	81	SL20901
41	DPV25500	82	DPC25005A

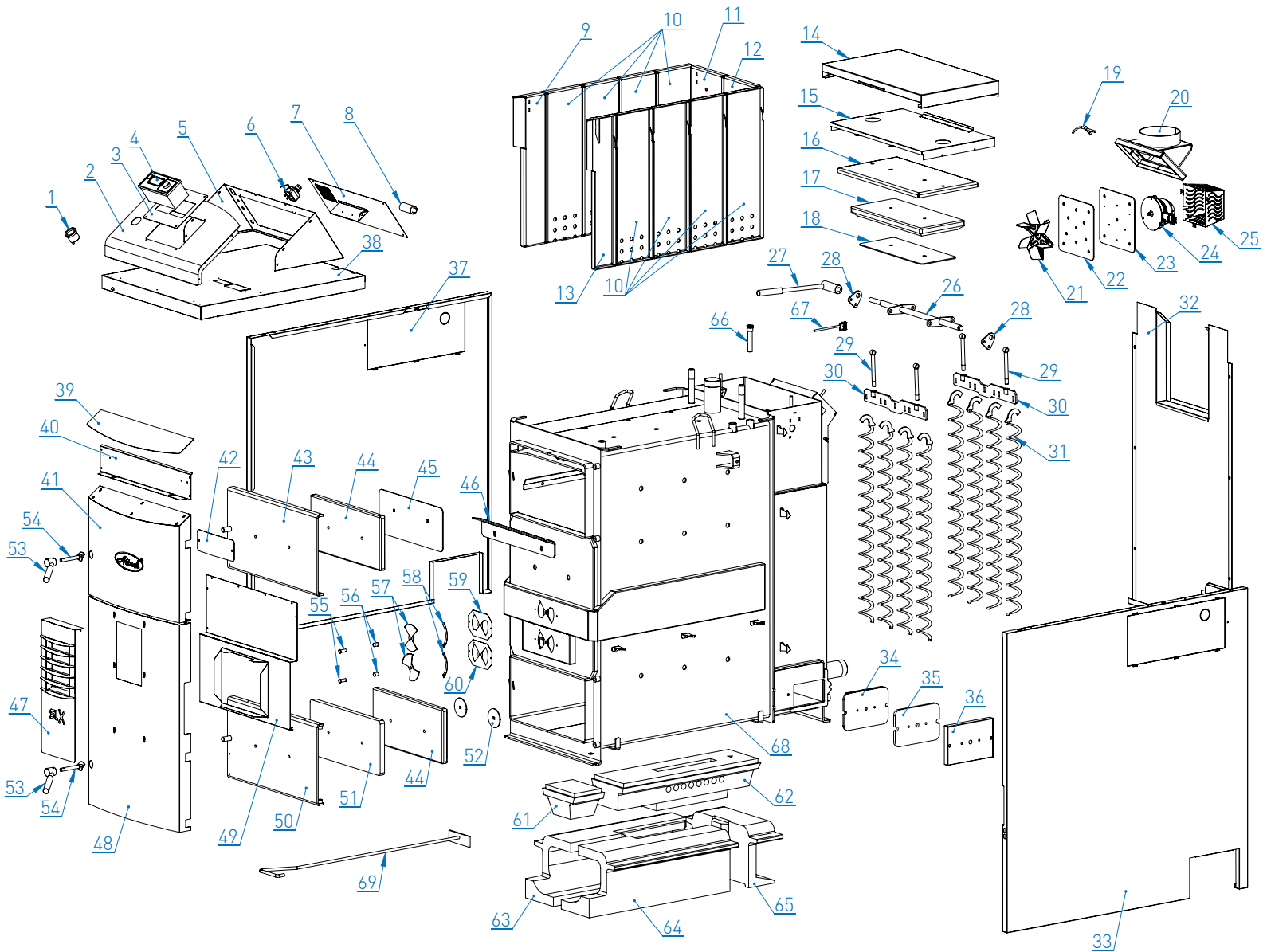


#	CODE	#	CODE
1	AT46C	36	DP015006D
2	SL20935A	37	SL40028A
3	SL20102	38	SL40915
4	DPD25073	39	SL20932
5	SL20096A	40	SL20097A
6	OT19C	41	SL20928A
7	SL20936A	42	SL20111A
8	DPD25016A	43	SL20926A
9	SL40908A	44	DPD25030
10	SL20022A	45	SL20121
11	SL20913A	46	SL20033
12	SL20912A	47	SL20931
13	SL40909A	48	SL20927A
14	SL40037	49	SL20098A
15	SL40039	50	DPV25095A
16	SL40912	51	SL20123
17	DPD25030	52	DPV95086
18	DPV25108	53	DPD25420B
19	DPD25059	54	DPD25430
20	SL20937	55	SP111
21	DPD40001	56	DPV25303
22	DPD25001B	57	SL20068
23	DPV45040	58	DK418
24	DPD25202D	59	SL20066
25	DPD45005	60	SL20067
26	DPV15928	61	DPT35004
27	DPV15924A	62	DPT45004
28	DPV45035A	63	DPP45103
29	DPD25065	64	DPP45104
30	DPV15921	65	DPP25104
31	SL20924	66	DPD25011
32	SL20916A	67	DPD25110
33	SL40027A	68	SL40901
34	DPV25500	69	DPC25005A
35	DPD15008A	70	

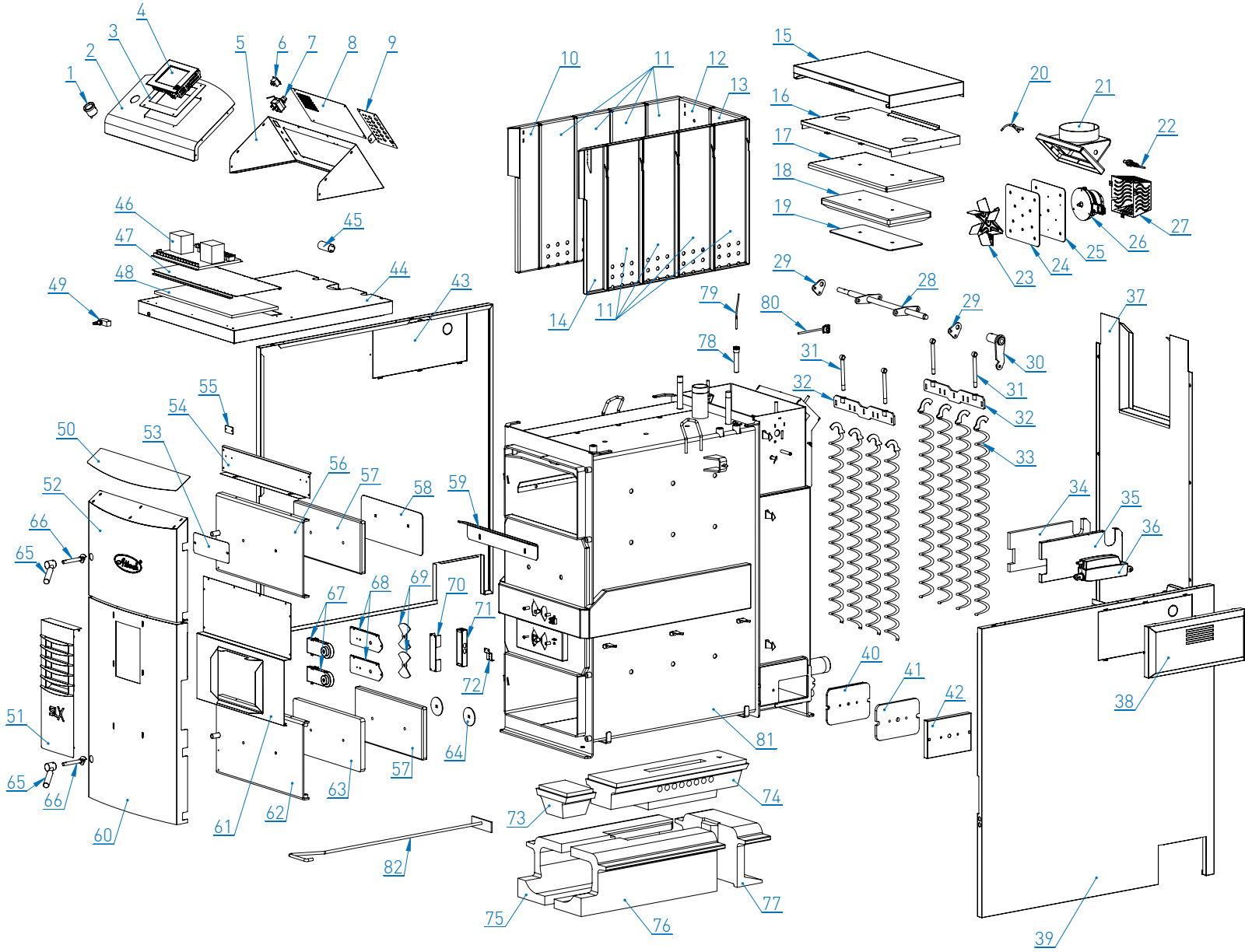




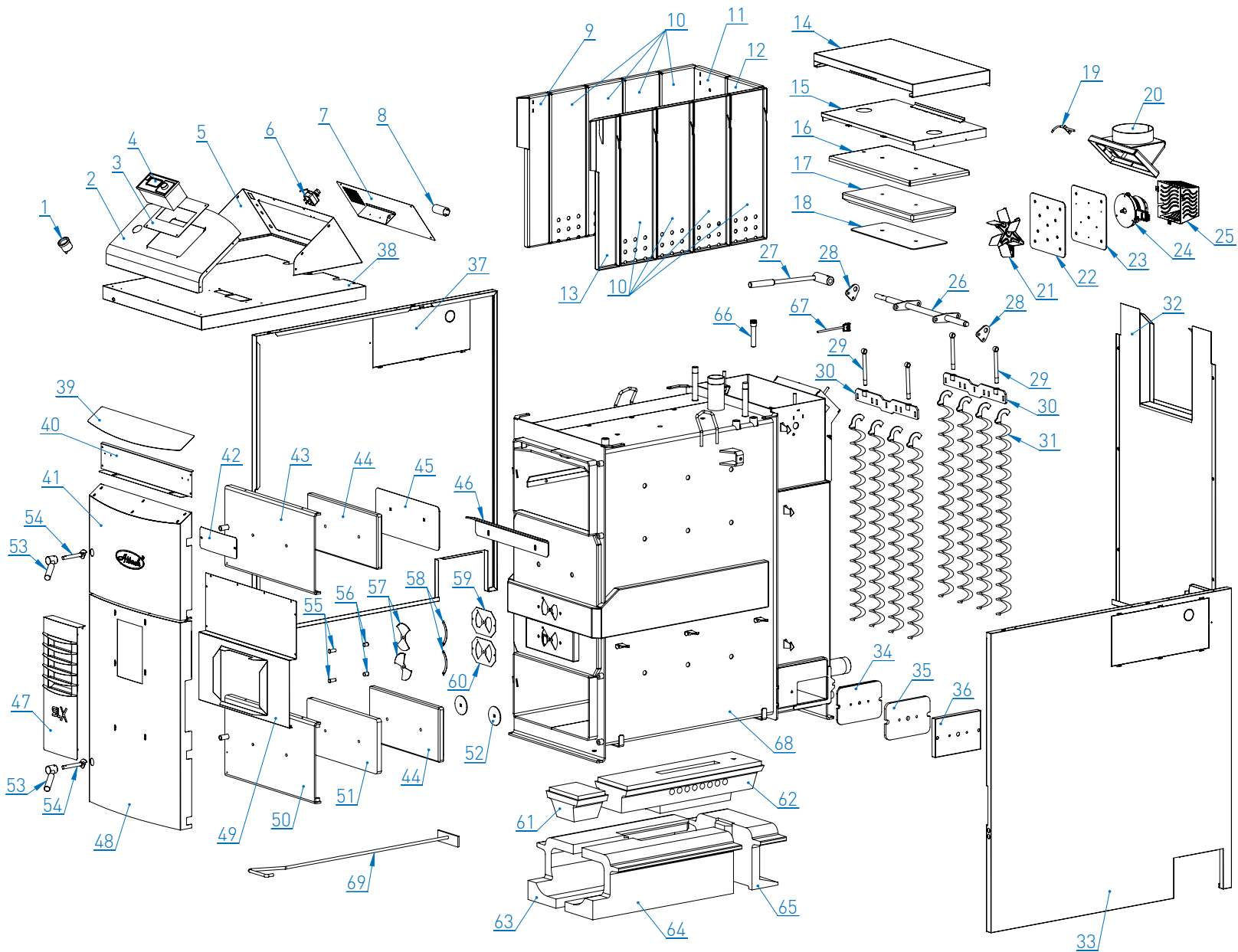
#	CODE	#	CODE
1	AT46C	42	DP015006D
2	SL20935A	43	SL40028A
3	SL20092	44	SL40915
4	DPD25221	45	DPD25016A
5	SL20096A	46	DPD25220
6	TS095A	47	SL20107
7	OT19C	48	SL20108
8	SL20119A	49	ADF25478
9	SL20120	50	SL20932
10	SL40908A	51	SL20931
11	SL20022A	52	SL20928A
12	SL20913A	53	SL20111A
13	SL20912A	54	SL20097A
14	SL40909A	55	SL20124
15	SL40037	56	SL20926A
16	SL40039	57	DPD25030
17	SL40912	58	SL20121
18	DPD25030	59	SL20033
19	DPV25108	60	SL20927A
20	DPD25059	61	SL20098A
21	ADF25816	62	DPV25095A
22	DPD25223	63	SL20123
23	DPD40001	64	DPV95086
24	DPD25001B	65	DPD25420B
25	DPV45040	66	DPD25430
26	DPD25202D	67	DPD25216
27	DPD45005	68	SL20032
28	DPV15928	69	DPV25203
29	DPV45035A	70	SL20118A
30	SL40913	71	SL20095A
31	DPD25065	72	SL20129
32	DPV15921	73	DPT35004
33	SL20924	74	DPT45004
34	SL20130	75	DPP45103
35	SL20128A	76	DPP45104
36	H30810	77	DPP25104
37	SL20916A	78	DPD25011
38	SL20055B	79	ADF25602
39	SL40027A	80	DPD25110
40	DPV25500	81	SL40901
41	DPD15008A	82	DPC25005A



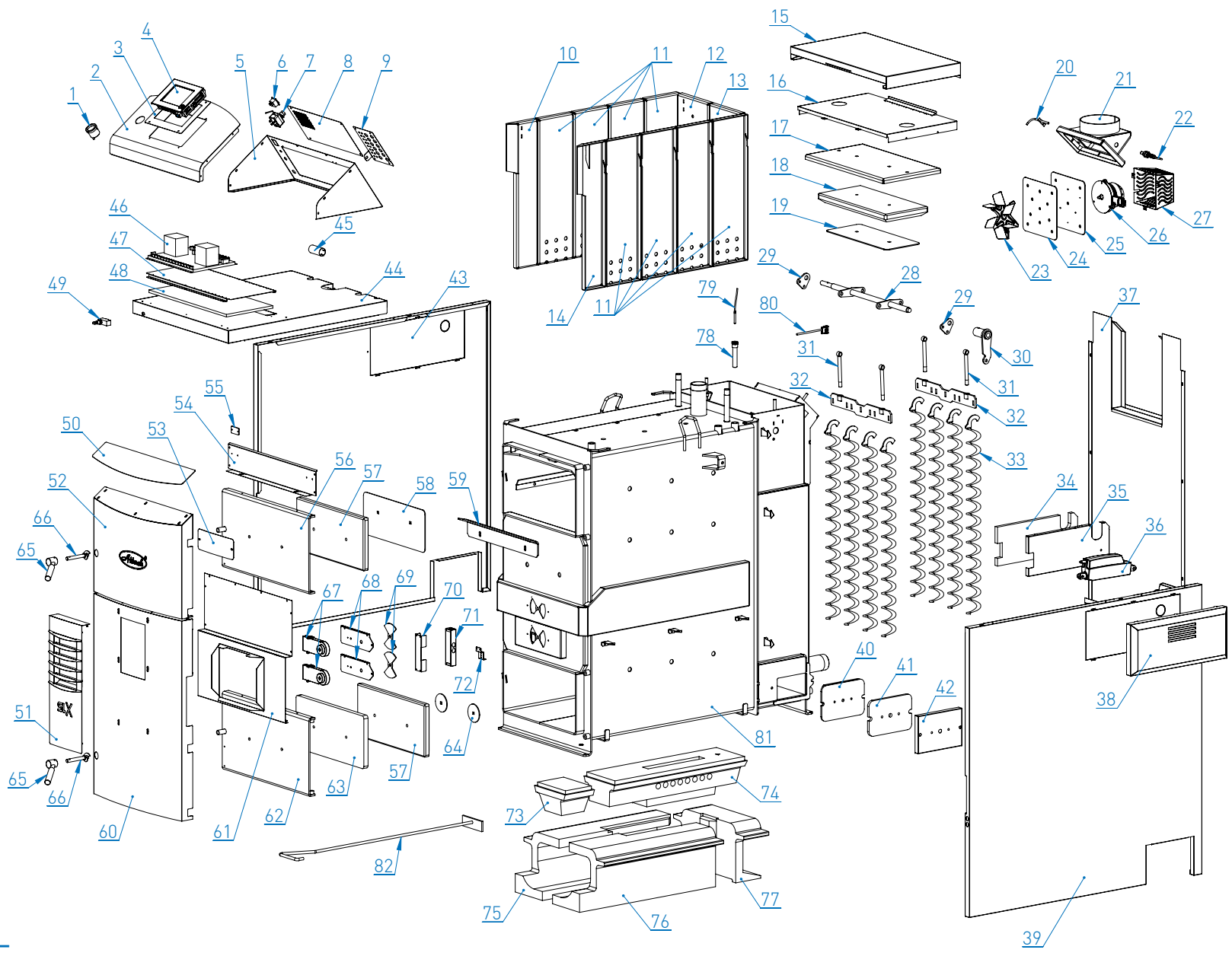
#	CODE	#	CODE
1	AT46C	36	DP015006D
2	SL20935A	37	SL40028A
3	SL20102	38	SL40915
4	DPD25073	39	SL20932
5	SL20096A	40	SL20097A
6	OT19C	41	SL20928A
7	SL20936A	42	SL20111A
8	DPD25016A	43	SL20926A
9	SL40908A	44	DPD25030
10	SL20022A	45	SL20121
11	SL20913A	46	SL20033
12	SL20912A	47	SL20931
13	SL40909A	48	SL20927A
14	SL40037	49	SL20098A
15	SL40039	50	DPV25095A
16	SL40912	51	SL20123
17	DPD25030	52	DPV95086
18	DPV25108	53	DPD25420B
19	DPD25059	54	DPD25430
20	SL20937	55	SP111
21	DPD40001	56	DPV25303
22	DPD25001B	57	SL20068
23	DPV45040	58	DK418
24	DPD25202D	59	SL20066
25	DPD45005	60	SL20067
26	DPV15928	61	DPT35004
27	DPV15924A	62	DPT45004
28	DPV45035A	63	DPP45103
29	DPD25065	64	DPP45104
30	DPV15921	65	DPP25104
31	SL20924	66	DPD25011
32	SL20916A	67	DPD25110
33	SL40027A	68	SL40901
34	DPV25500	69	DPC25005A
35	DPD15008A	70	



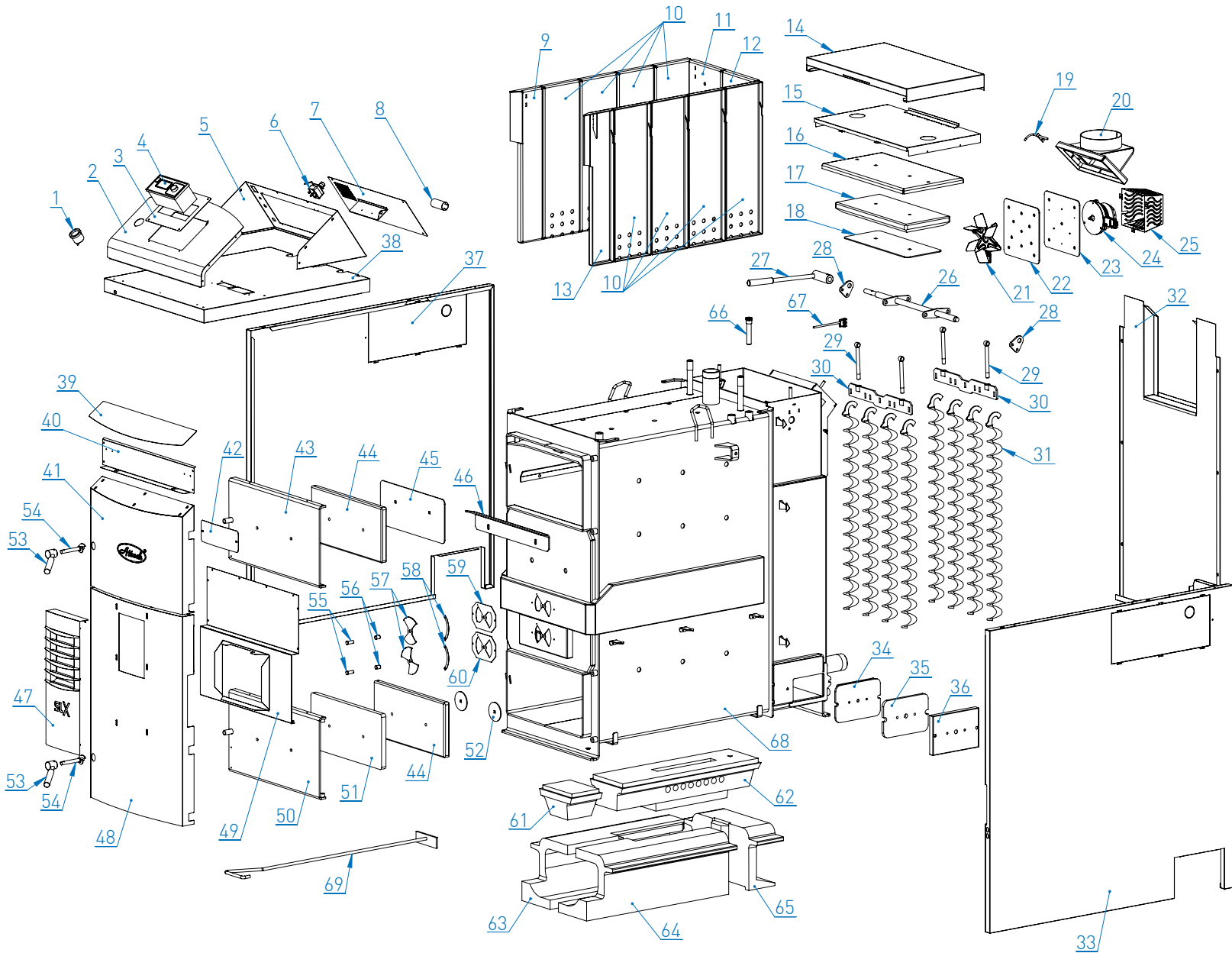
#	CODE	#	CODE
1	AT46C	42	DPO15006D
2	SL20935A	43	SL40028A
3	SL20092	44	SL40915
4	DPD25221	45	DPD25016A
5	SL20096A	46	DPD25220
6	TS095A	47	SL20107
7	OT19C	48	SL20108
8	SL20119A	49	ADF25478
9	SL20120	50	SL20932
10	SL40908A	51	SL20931
11	SL20022A	52	SL20928A
12	SL20913A	53	SL20111A
13	SL20912A	54	SL20097A
14	SL40909A	55	SL20124
15	SL40037	56	SL20926A
16	SL40039	57	DPD25030
17	SL40912	58	SL20121
18	DPD25030	59	SL20033
19	DPV25108	60	SL20927A
20	DPD25059	61	SL20098A
21	ADF25816	62	DPV25095A
22	DPD25223	63	SL20123
23	DPD40001	64	DPV95086
24	DPD25001B	65	DPD25420B
25	DPV45040	66	DPD25430
26	DPD25202D	67	DPD25216
27	DPD45005	68	SL20032
28	DPV15928	69	DPV25203
29	DPV45035A	70	SL20118A
30	SL40913	71	SL20095A
31	DPD25065	72	SL20129
32	DPV15921	73	DPT35004
33	SL20924	74	DPT45004
34	SL20130	75	DPP45103
35	SL20128A	76	DPP45104
36	H30810	77	DPP25104
37	SL20916A	78	DPD25011
38	SL20055B	79	ADF25602
39	SL40027A	80	DPD25110
40	DPV25500	81	SL40901
41	DPD15008A	82	DPC25005A



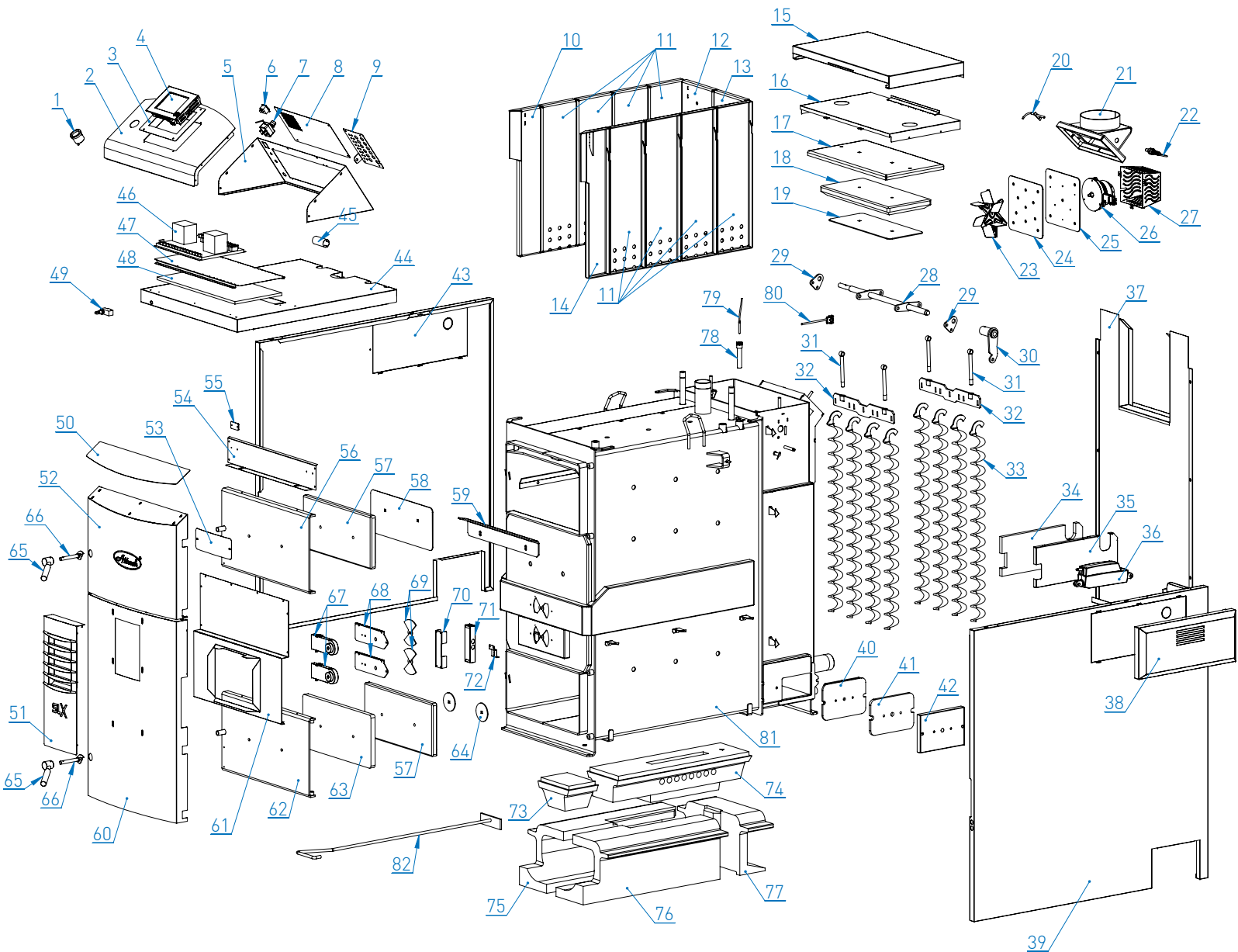
#	CODE	#	CODE
1	AT46C	36	DPO15006D
2	SL20935A	37	SL40028A
3	SL20102	38	SL40915
4	DPD25073	39	SL20932
5	SL20096A	40	SL20097A
6	OT19C	41	SL20928A
7	SL20936A	42	SL20111A
8	DPD25016A	43	SL20926A
9	SL40908A	44	DPD25030
10	SL20022A	45	SL20121
11	SL20913A	46	SL20033
12	SL20912A	47	SL20931
13	SL40909A	48	SL20927A
14	SL40037	49	SL20098A
15	SL40039	50	DPV25095A
16	SL40912	51	SL20123
17	DPD25030	52	DPV95086
18	DPV25108	53	DPD25420B
19	DPD25059	54	DPD25430
20	SL20937	55	SP111
21	DPD40001	56	DPV25303
22	DPD25001B	57	SL20068
23	DPV45040	58	DK418
24	DPD25202D	59	SL20066
25	DPD45005	60	SL20067
26	DPV15928	61	DPT35004
27	DPV15924A	62	DPT45004
28	DPV45035A	63	DPP45103
29	DPD25065	64	DPP45104
30	DPV15921	65	DPP25104
31	ADF25921	66	DPD25011
32	SL20916A	67	DPD25110
33	SL40027A	68	SL40901
34	DPV25500	69	DPC25005A
35	DPD15008A	70	



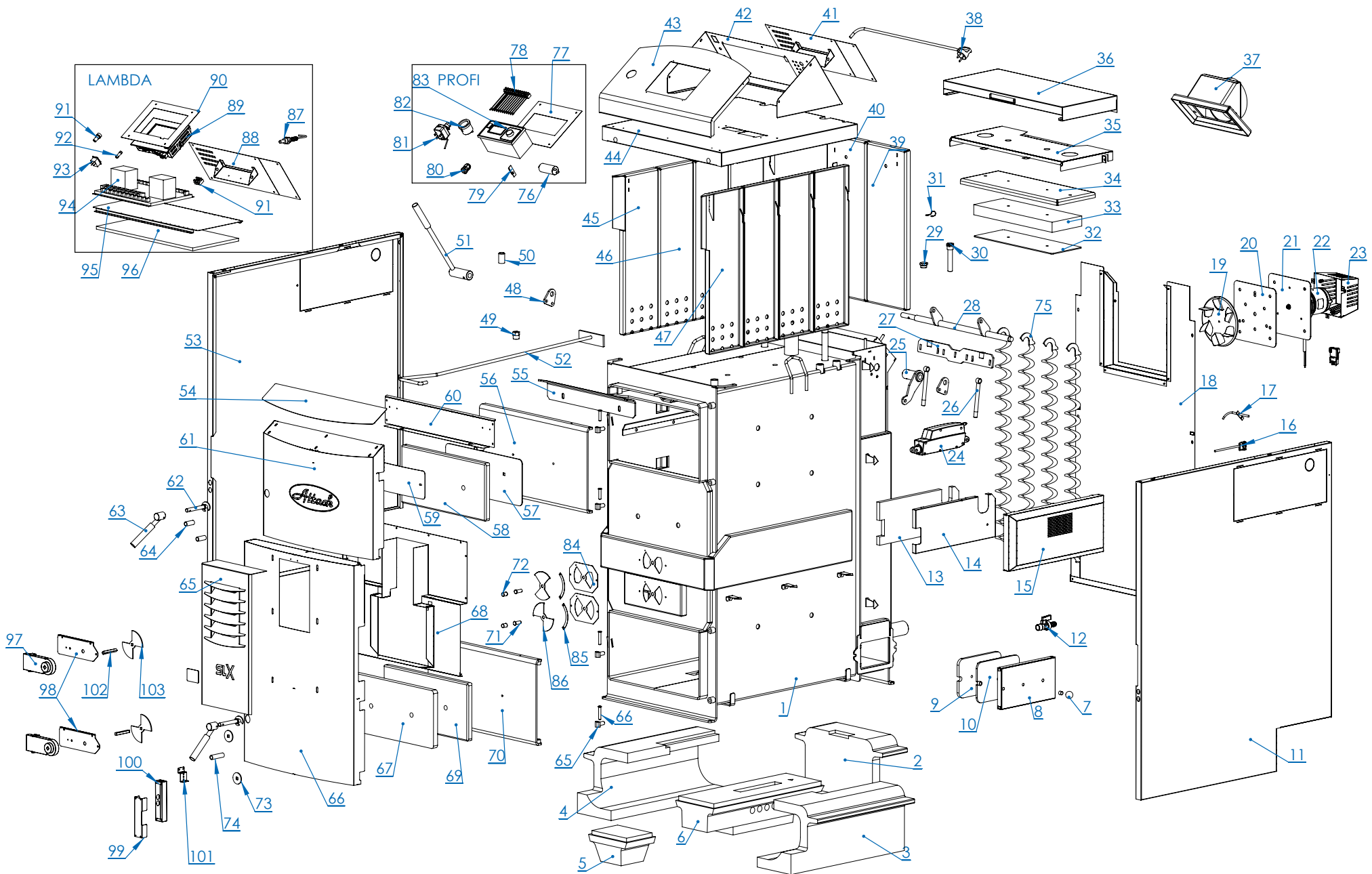
#	CODE	#	CODE
1	AT46C	42	DPO15006D
2	SL20935A	43	SL40028A
3	SL20092	44	SL40915
4	DPD25221	45	DPD25016A
5	SL20096A	46	DPD25220
6	TS095A	47	SL20107
7	OT19C	48	SL20108
8	SL20119A	49	ADF25478
9	SL20120	50	SL20932
10	SL40908A	51	SL20931
11	SL20022A	52	SL20928A
12	SL20913A	53	SL20111A
13	SL20912A	54	SL20097A
14	SL40909A	55	SL20124
15	SL40037	56	SL20926A
16	SL40039	57	DPD25030
17	SL40912	58	SL20121
18	DPD25030	59	SL20033
19	DPV25108	60	SL20927A
20	DPD25059	61	SL20098A
21	ADF25816	62	DPV25095A
22	DPD25223	63	SL20123
23	DPD40001	64	DPV95086
24	DPD25001B	65	DPD25420B
25	DPV45040	66	DPD25430
26	DPD25202D	67	DPD25216
27	DPD45005	68	SL20032
28	DPV15928	69	DPV25203
29	DPV45035A	70	SL20118A
30	SL40913	71	SL20095A
31	DPD25065	72	SL20129
32	DPV15921	73	DPT35004
33	ADF25921	74	DPT45004
34	SL20130	75	DPP45103
35	SL20128A	76	DPP45104
36	H30810	77	DPP25104
37	SL20916A	78	DPD25011
38	SL20055B	79	ADF25602
39	SL40027A	80	DPD25110
40	DPV25500	81	SL40901
41	DPD15008A	82	DPC25005A



#	CODE	#	CODE
1	AT46C	36	DP015006D
2	SL20935A	37	SL40028A
3	SL20102	38	SL40915
4	DPD25073	39	SL20932
5	SL20096A	40	SL20097A
6	OT19C	41	SL20928A
7	SL20936A	42	SL20111A
8	DPD25016A	43	SL20926A
9	SL40908A	44	DPD25030
10	SL20022A	45	SL20121
11	SL20913A	46	SL20033
12	SL20912A	47	SL20931
13	SL40909A	48	SL20927A
14	SL40037	49	SL20098A
15	SL40039	50	DPV25095A
16	SL40912	51	SL20123
17	DPD25030	52	DPV95086
18	DPV25108	53	DPD25420B
19	DPD25059	54	DPD25430
20	SL20937	55	SP111
21	DPD40001	56	DPV25303
22	DPD25001B	57	SL20068
23	DPV45040	58	DK418
24	DPD25202D	59	SL20066
25	DPD45005	60	SL20067
26	DPV15928	61	DPT35004
27	DPV15924A	62	DPT45004
28	DPV45035A	63	DPP45103
29	DPD25065	64	DPP45104
30	DPV15921	65	DPP25104
31	SL20940	66	DPD25011
32	SL20916A	67	DPD25110
33	SL40027A	68	SL40901
34	DPV25500	69	DPC25005A
35	DPD15008A	70	



#	CODE	#	CODE
1	AT46C	42	DPO15006D
2	SL20935A	43	SL40028A
3	SL20092	44	SL40915
4	DPD25221	45	DPD25016A
5	SL20096A	46	DPD25220
6	TS095A	47	SL20107
7	OT19C	48	SL20108
8	SL20119A	49	ADF25478
9	SL20120	50	SL20932
10	SL40908A	51	SL20931
11	SL20022A	52	SL20928A
12	SL20913A	53	SL20111A
13	SL20912A	54	SL20097A
14	SL40909A	55	SL20124
15	SL40037	56	SL20926A
16	SL40039	57	DPD25030
17	SL40912	58	SL20121
18	DPD25030	59	SL20033
19	DPV25108	60	SL20927A
20	DPD25059	61	SL20098A
21	ADF25816	62	DPV25095A
22	DPD25223	63	SL20123
23	DPD40001	64	DPV95086
24	DPD25001B	65	DPD25420B
25	DPV45040	66	DPD25430
26	DPD25202D	67	DPD25216
27	DPD45005	68	SL20032
28	DPV15928	69	DPV25203
29	DPV45035A	70	SL20118A
30	SL40913	71	SL20095A
31	DPD25065	72	SL20129
32	DPV15921	73	DPT35004
33	SL20940	74	DPT45004
34	SL20130	75	DPP45103
35	SL20128A	76	DPP45104
36	H30810	77	DPP25104
37	SL20916A	78	DPD25011
38	SL20055B	79	ADF25602
39	SL40027A	80	DPD25110
40	DPV25500	81	SL40901
41	DPD15008A	82	DPC25005A





#	CODE	
1	SL20901	20-35
	SL40901	40-55
2	DPP35105	20-35
	DPP25104	40-55
3	DPP35104	20-35
	DPP45104	40-55
4	DPP35103	20-35
	DPP45103	40-55
5	DPT35004	
6	DPT20001	20,25
	DPT35005	30,35
	DPT45004	40-55
7	DPD25069	
8	DPA15905A	
9	DPD15008A	
10	DPV25500A	
11	SL20034D	20-35
	SL40027B	40-55
12	TS103	
13	SL20130	
14	SL20128A	
15	SL20055C	
16	DPD25110	
17	DPD25059	
18	SL20916B	
19	DPD25080	20-35
	DPD40001	40-55
20	DPD25001B	20-35
21	DPV25081	20-35
	DPV45040	40-55
22	DPD25016D	20-35
	DPD25202D	40-55
23	DPA45011	40-55
24	H30810	

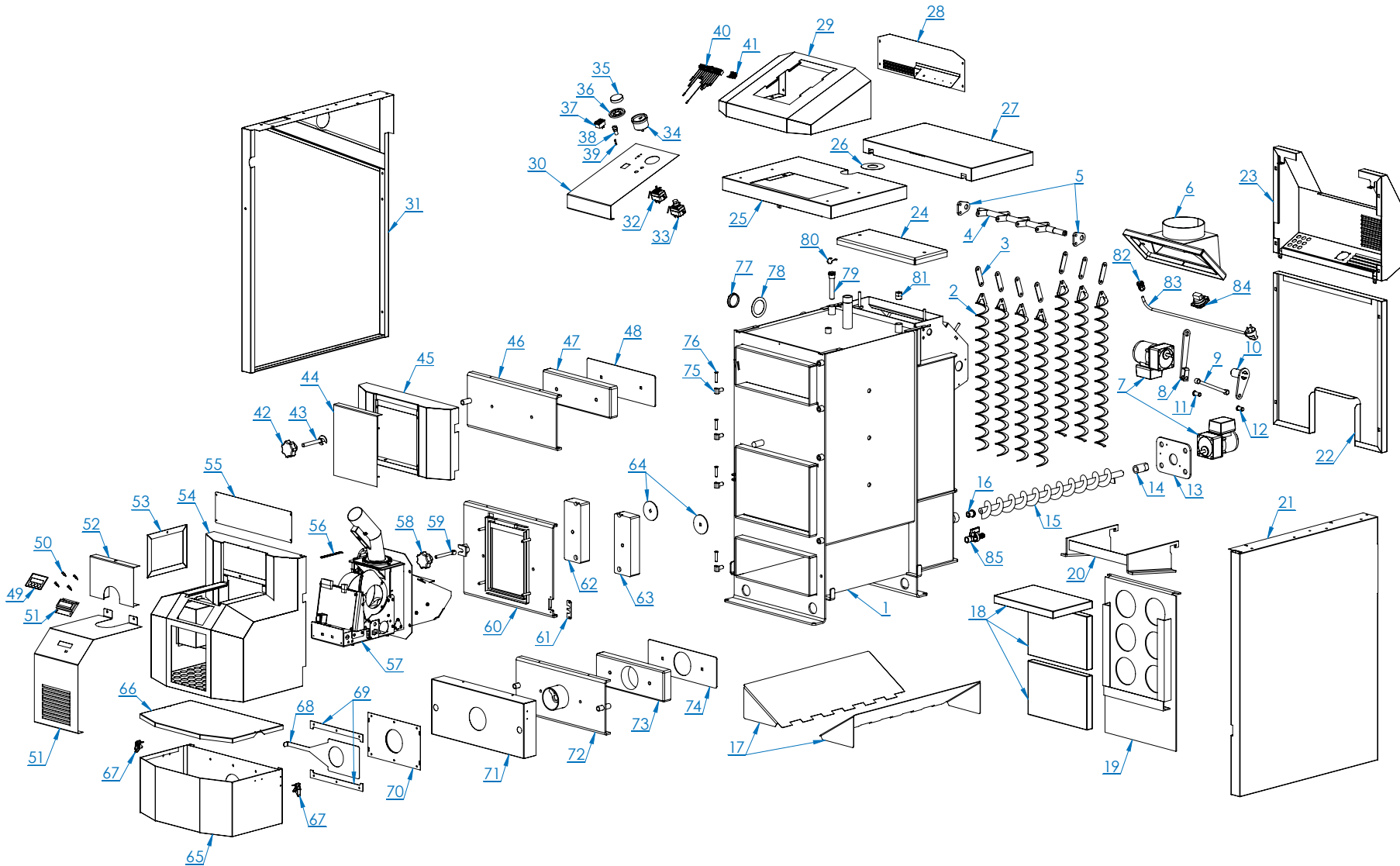
25	SL20919B	20-35
	SL40913	40-55
26	DPD25065	
27	DPV15921	
28	DPV15925	20-35
	DPV15928	40-55
29	DPD25029	
30	DPD25101	
31	TS106	
32	SL20041	20-35
	DPV25108	40-55
33	SL20040	20-35
	DPD25030A	40-55
34	SL20911	20-35
	SL40912	40-55
35	SL20122B	20-35
	SL40039A	40-55
36	DPA15010A	20-35
	SL40037B	40-55
37	SL20937	SLXP
	ADF25816	SLXL
38	TS091	
39	SL20025A	
40	SL20913A	
41	SL20936C	
42	SL20096C	
43	SL20935C	
44	SL20929C	20-35
	SL40915B	40-55
45	SL20914A	20-35
	SL40908A	40-55
46	SL20022A	
47	SL20915A	20-35
	SL40909A	40-55
48	DPV45035A	

49	OT11	
50	DPP25005	
51	DPV15924A	
52	DPC25005A	
53	SL20036D	20-35
	SL40028B	40-55
54	SL20932	
55	SL20033	
56	SL20926A	
57	SL20121	
58	DPD25030A	
59	SL20111C	
60	SL20097B	
61	SL20928B	
62	DPD25430	
63	DPD25420B	
64	DPV15087	
65	SL20961	
66	SL20927B	
67	SL20123A	
68	SL20098C	
69	DPD25030A	
70	DPV25095A	
71	SP111	
72	DPV25303	
73	DPV15086	
74	SL20134	
75	ADF25921	25,30,50,55
	SL20924	20,35,40,45

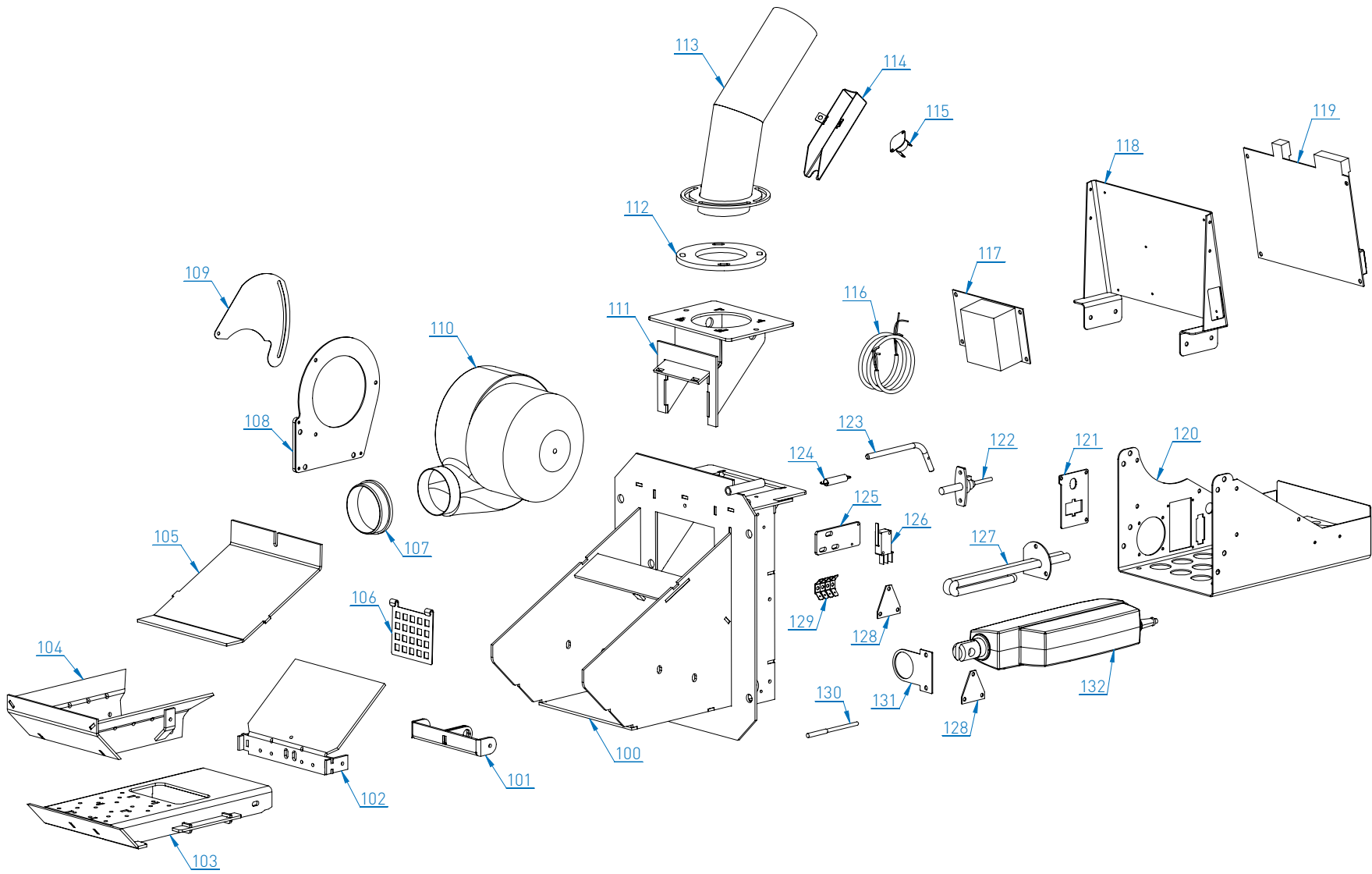
PROFI		
#	CODE	
76	DPD25016A	
77	SL20102A	
78	DPD15030	
79	DPD25034	
80	TS094A	
81	OT19C	
82	AT46C	
83	DPD25073	
84	SL20066	
85	DK418	
86	SL20068	

LAMBDA		
#	CODE	
87	DPD25223	
88	SL20936C	
89	DPD25221	do/to 5/2019
	ADF25641	od/from 6/2019
90	SL20092A	
91	TH05A	
92	TH06A	
93	TS095A	
94	DPD25220	
95	SL20107	
96	SL20108	
97	DPD25216	
98	SL20032	
99	SL20118A	
100	SL20095A	
101	SL20129	
102	DPV25301A	
103	DPV25203	

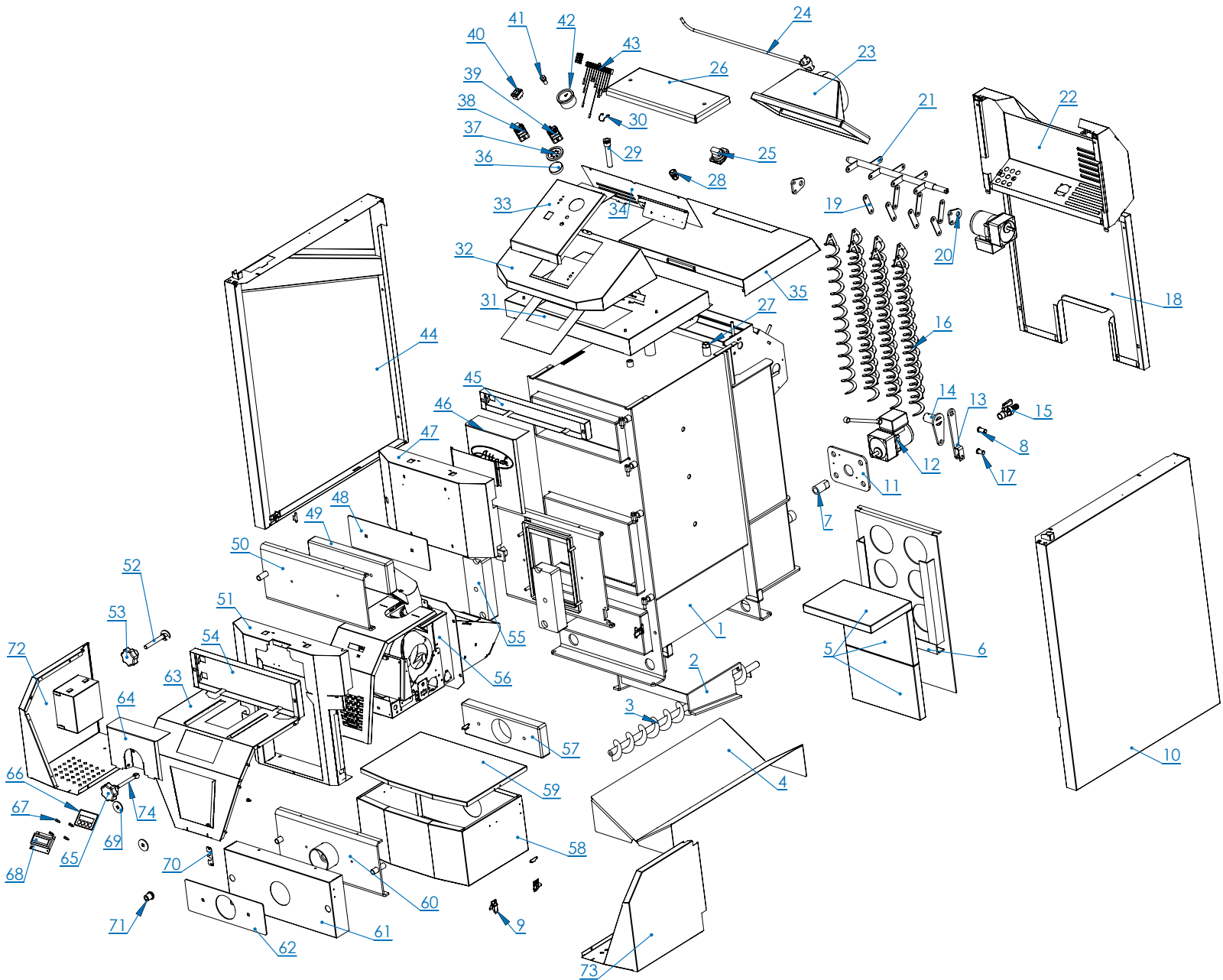
#	CODE	#	CODE	#	CODE	#	CODE	#	CODE	#	CODE	#	CODE
1	PEL30100A	9	PEL982	17	PEL0175	25	PEL30713	33	OT19C	41	TS118L	49	H30808
2	PEL994	10	PEL983	18	PEL0140A	26	PEL30715	34	OT19C	42	PEL30772	50	H30820
3	PEL068	11	PEL0180	19	PEL914A	27	PEL30714	35	DPD25009A	43	PEL30770	51	H30809
4	PEL980	12	PEL0179	20	PEL915A	28	PEL30707	36	DPD25010	44	PEL30718	52	PEL30723A
5	PEL0107C	13	PEL30753	21	PEL30700	29	PEL30761	37	TH23A	45	PEL30720	53	PEL30725
6	PEL945B	14	PEL30758	22	PEL30717	30	PEL30710	38	TH05	46	PEL98B	54	PEL30730A
7	PEL937	15	PEL991	23	PEL30716	31	PEL30703	39	TH06B	47	DPD25030U	55	PEL30738
8	PEL981	16	PEL30208B	24	PEL943	32	DPD25008A	40	PEL005B	48	PEL098	56	H30814
												57	PELH30Plus
												58	PEL30744
												59	SP139
												60	PEL30980C
												61	PEL0182A
												62	PEL30756
												63	PEL30757
												64	DPV95086
												65	PEL30740
												66	PEL30739
												67	PEL802
												68	PEL0537B
												69	PEL0542A
												70	PEL0543
												71	PEL30729
												72	PEL98I
												73	DPD25030UC
												74	PEL098C
												75	PEL0490
												76	DPV25803
												77	PEL214
												78	PEL30743
												79	DPD25011
												80	TS106
												81	OT11
												82	TS094A
												83	TS091
												84	TH31
												85	TS103



57	PELH30Plus
58	PEL30744
59	SP139
60	PEL30980C
61	PEL0182A
62	PEL30756
63	PEL30757
64	DPV95086
65	PEL30740
66	PEL30739
67	PEL802
68	PEL0537B
69	PEL0542A
70	PEL0543
71	PEL30729
72	PEL98I
73	DPD25030UC
74	PEL098C
75	PEL0490
76	DPV25803
77	PEL214
78	PEL30743
79	DPD25011
80	TS106
81	OT11
82	TS094A
83	TS091
84	TH31
85	TS103

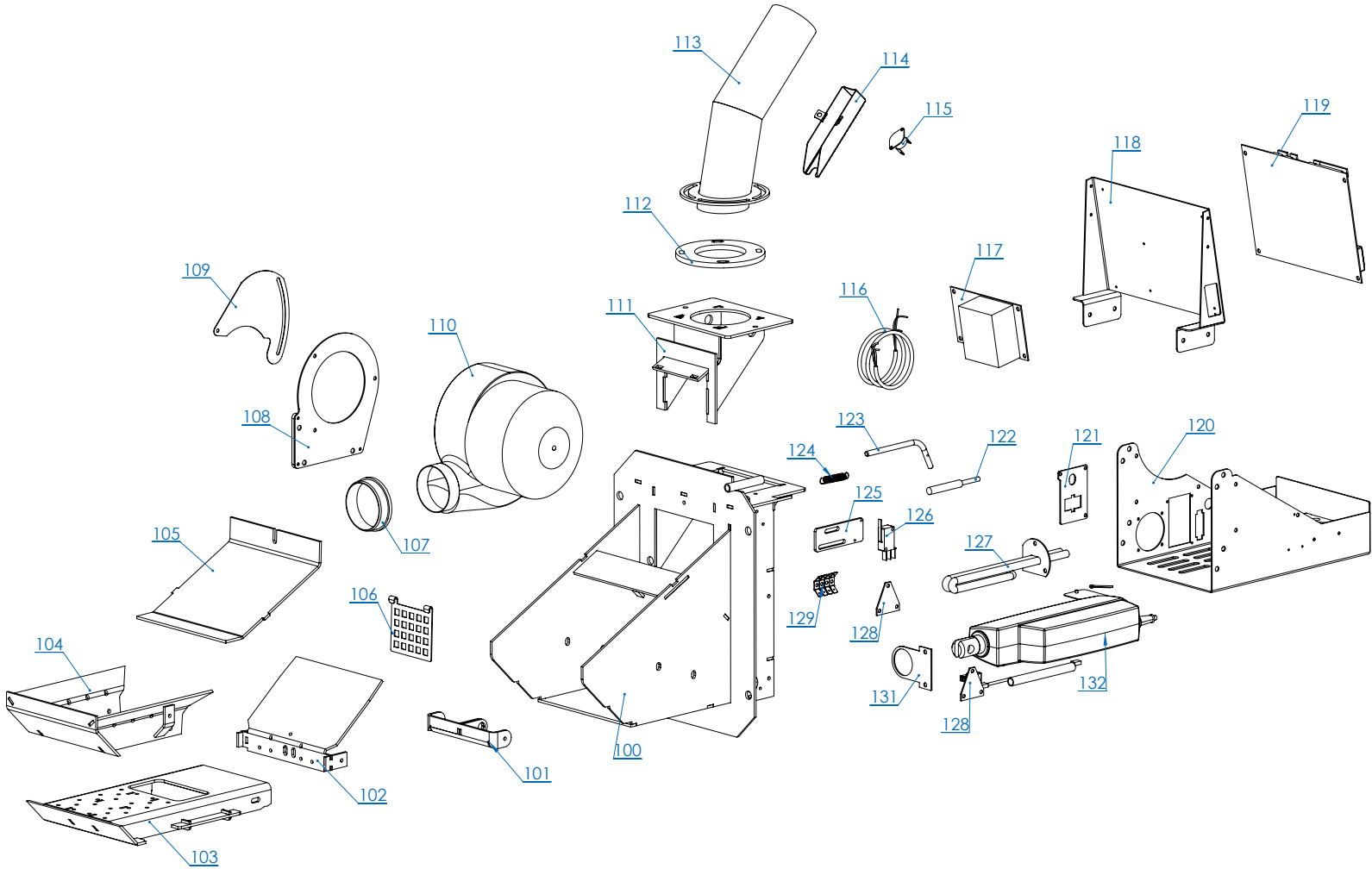


#	CODE
100	PELH30900A
101	H30921C
102	H30930A
103	H30920B
104	H30940A
105	H30001
106	H30009A
107	PR15
108	H30952
109	H30012A
110	H30982
111	H30961B
112	PELH30851
113	PELH30800A
114	PELH30807B
115	TS215
116	H30018
117	H30807
118	HP30900
119	H30806B
120	PELH30830A
121	PELH30843
122	H30803
123	H30118B
124	H30014
125	H30003A
126	H30804
127	H30980
128	H30008A
129	TS118L
130	H30813A
131	H30002
132	ADF25640



#	CODE
1	PEL30100A
2	PEL915A
3	PEL991
4	PEL0175
5	PEL0140A
6	PEL914A
7	PEL30758
8	PEL0180
9	PEL802
10	PEL30700B
11	PEL30753
12	PEL937
13	PEL981A
14	PEL983
15	TS103
16	PEL994
17	PEL0179
18	PEL30717A
19	PEL068
20	DPV45035A
21	PEL980A
22	PEL30716A
23	PEL945B
24	TS091
25	TH31
26	PEL943
27	OT11
28	TS094A
29	DPD25011
30	TS106
31	PEL30713A
32	PEL30759A
33	PEL30711A
34	PEL30707A
35	PEL30714A
36	DPD25009A
37	DPD25010
38	OT19C
39	DPD25008A
40	TH23A
41	TH05A
42	TS099A
43	PEL005B
44	PEL30703B
45	PEL30787
46	PEL30718A
47	PEL30720A
48	PEL098
49	DPD25030U
50	PEL0220
51	PEL30730B
52	PEL30770
53	PEL30772
54	PEL30738A
55	PEL30756
56	PELH30PLUS
57	DPD25030UC
58	PEL30740B
59	PEL30933
60	PEL981

#	CODE
61	PEL30729A
62	PEL098C
63	PEL30928
64	PEL30723B
65	PEL30774
66	H30808
67	H30820
68	H30809
69	DPV15086
70	PEL0182A
71	PEL30208B
72	PEL30926
73	PEL30927
74	SP139



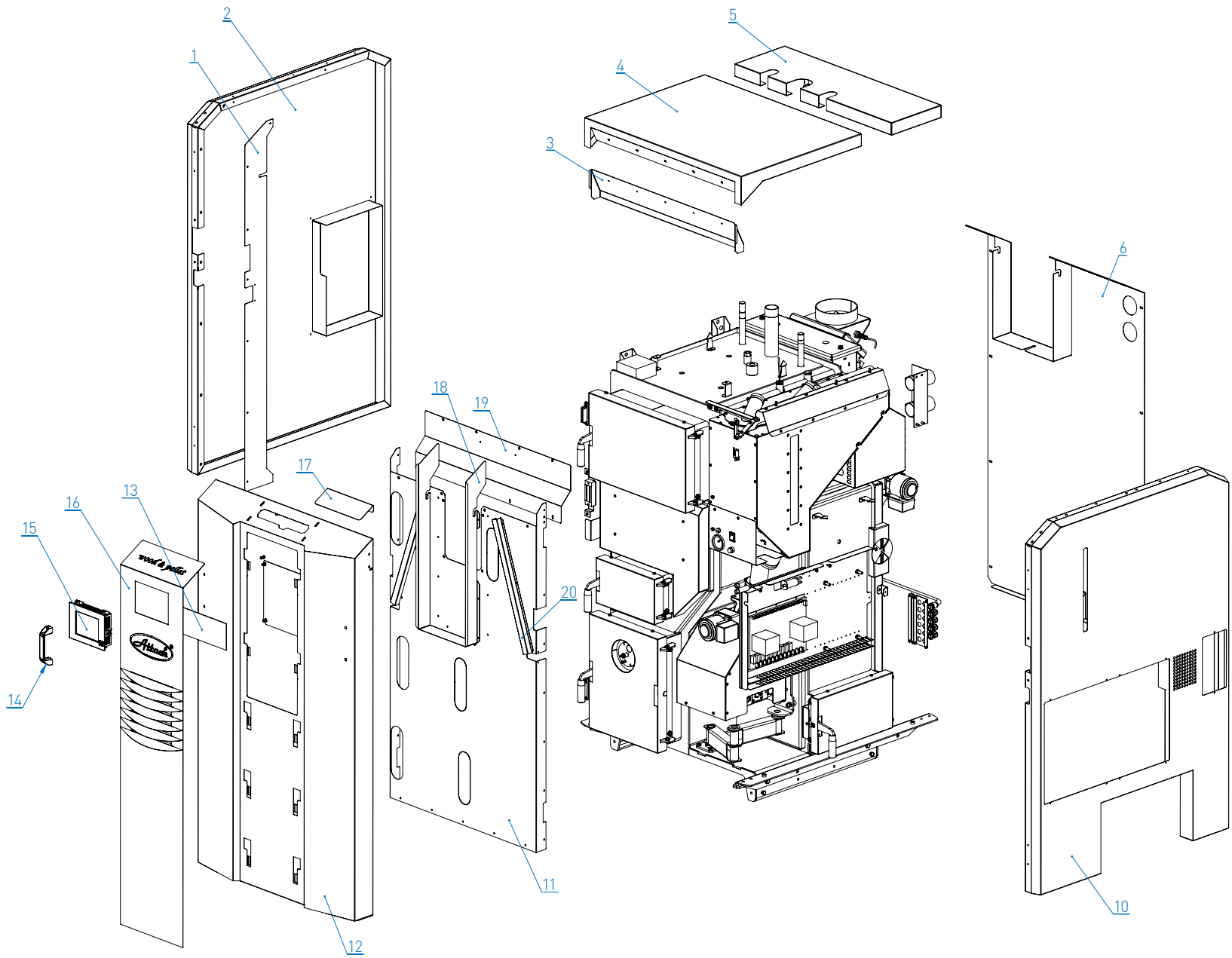
#	CODE
1	H30920B
2	H30940A
3	H30001
4	H30930A
5	H30921C
6	H30009A
7	PR15
8	PELH30900A
9	H30952

#	CODE
10	H30012A
11	H30961B
12	PELH30851
13	PELH30800A
14	PELH30807B
15	H30008A
16	H30002
17	H30003A
18	H30804

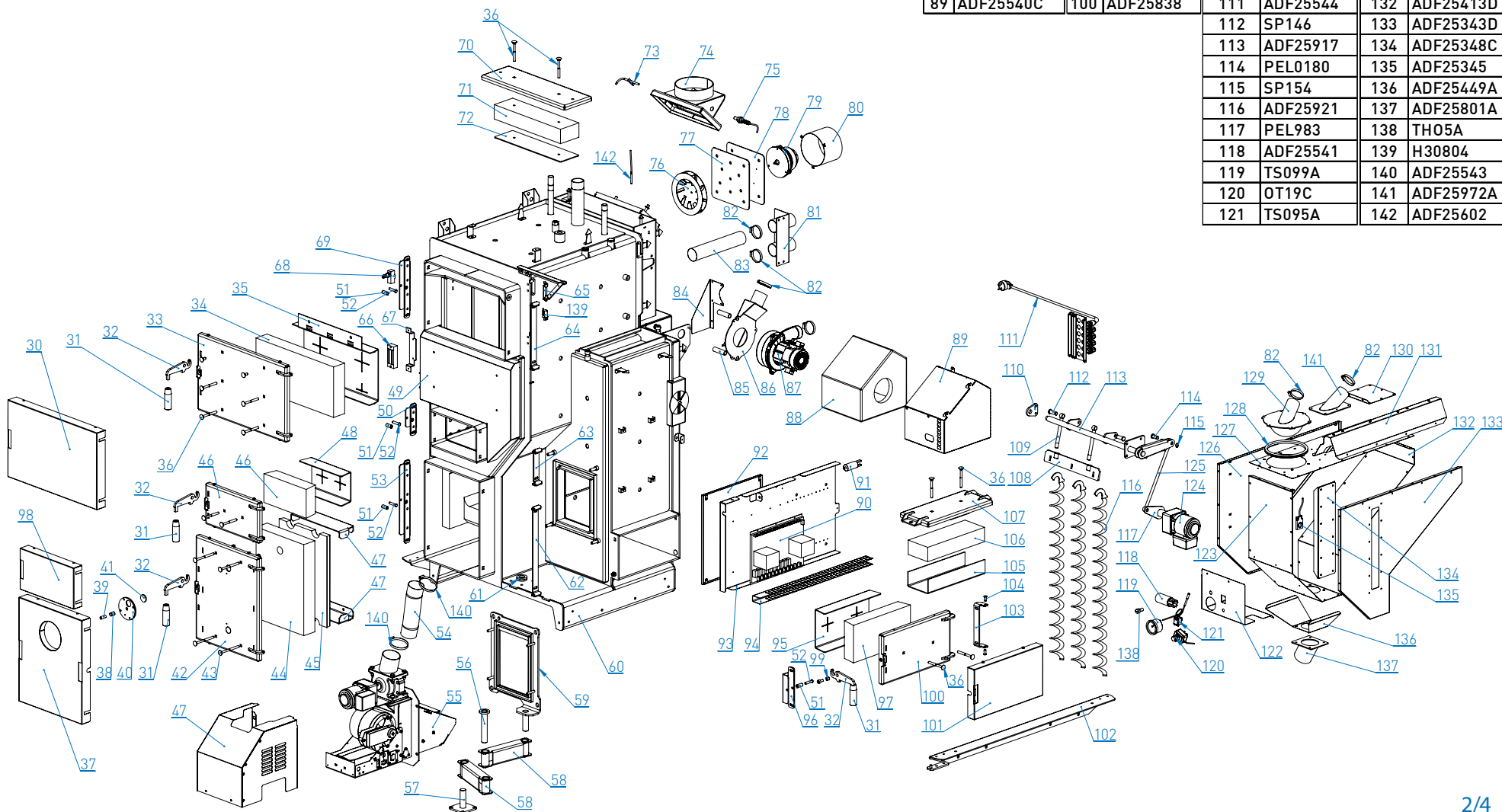
#	CODE
19	TS131
20	ADF25640
21	H30118B
22	H30014
23	PELH30811
24	H30980
25	H30803
26	H30018
27	H30807

#	CODE
28	PELH30843
29	PELH30830A
30	HP30900
31	H30806B
32	TS215B
33	H30982

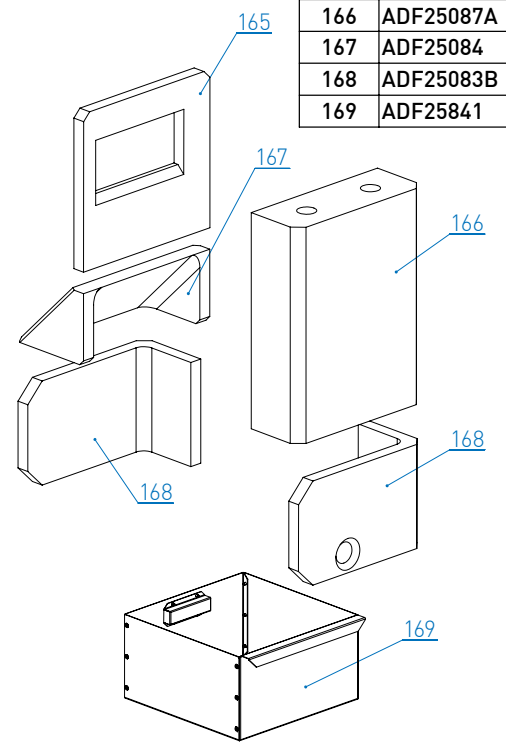
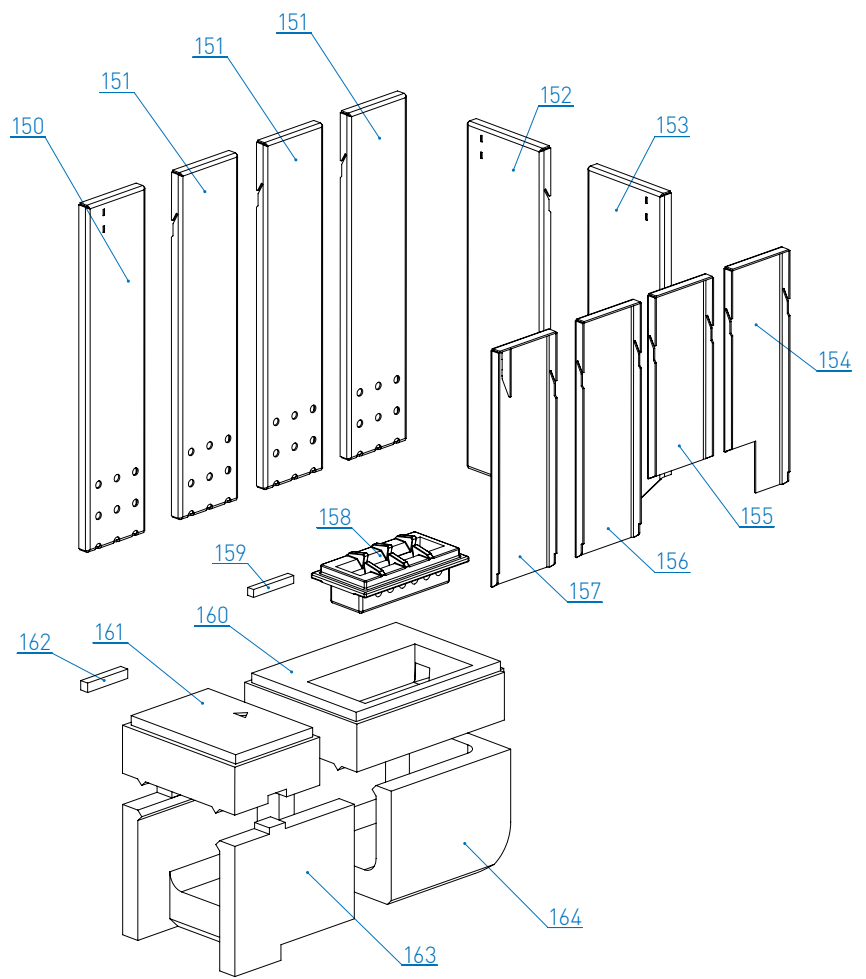
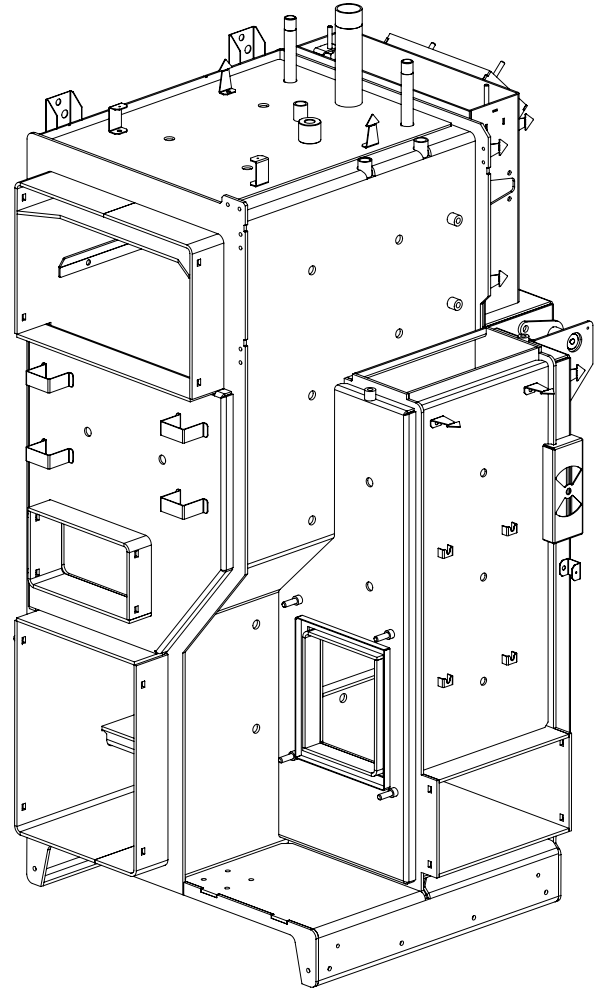
#	CODE
1	ADF25484B
2	ADF25952C
3	ADF25445A
4	ADF25828
5	ADF25825
6	ADF25970B
7	ADF25506B
8	ADF25570
9	ADF25407A
10	ADF25969D
11	ADF25441C
12	ADF25943F
13	ADF25488
14	FDA304
15	DPD25221
16	ADF25959D
17	ADF25580A
18	ADF25566A
19	ADF25444E
20	ADF25599A



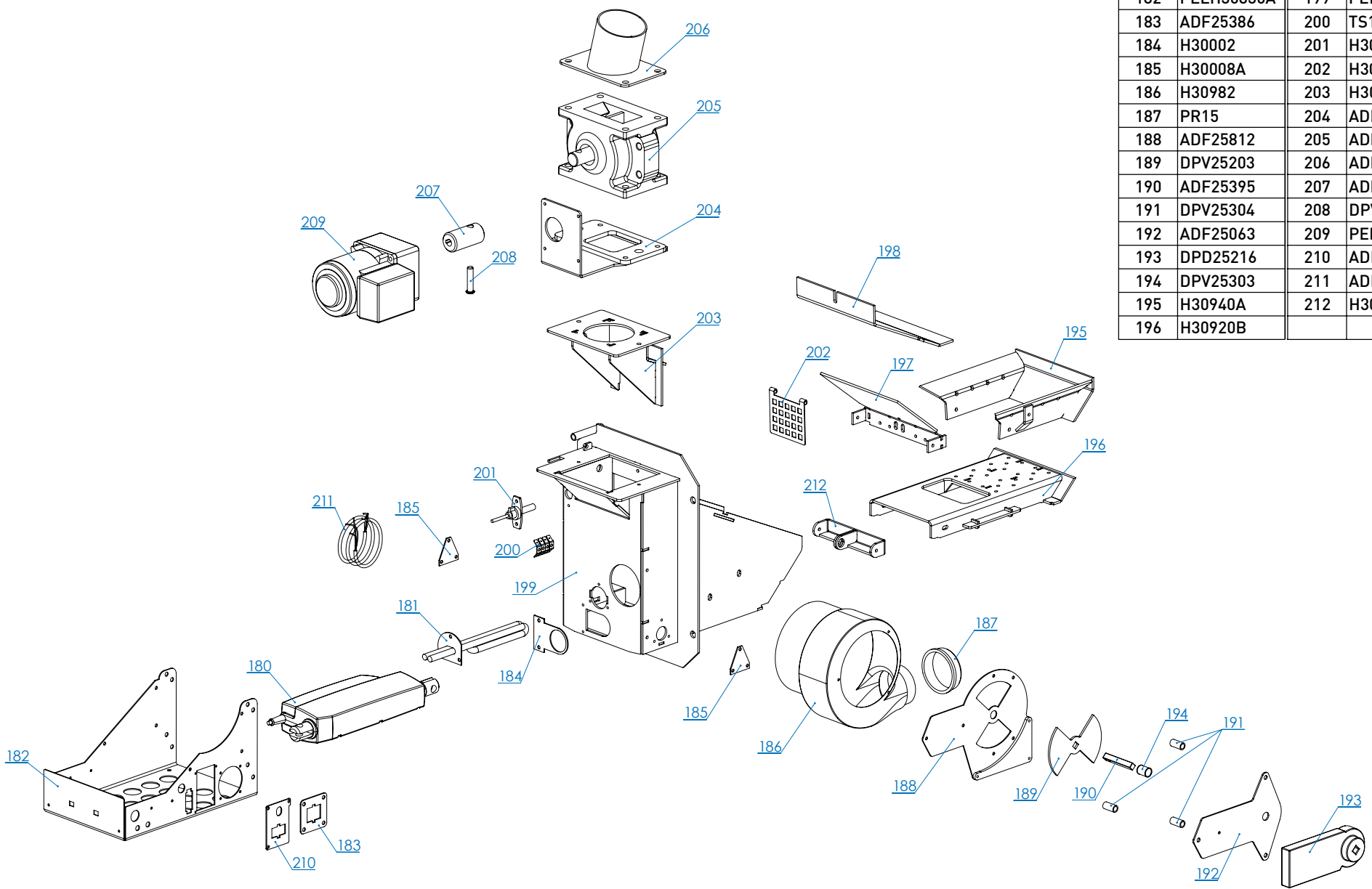
#	CODE	#	CODE	#	CODE	#	CODE	#	CODE	#	CODE	#	CODE
30	ADF25526A	39	ADF25585	49	ADF25524A	59	ADF25905	69	ADF25844	79	DPD25202	90	DPD25220
31	ADF25301	40	ADF25808	50	ADF25845	60	ADF25901	70	ADF25984	80	DPD25202H	91	DPD25202E
32	ADF25299D	41	ADF25344	51	ADF25220A	61	ADF25486	71	ADF25188	81	ADF25830	92	ADF25632
33	ADF25982A	42	ADF25955A	52	ADF25803	62	ADF25307A	72	ADF25189	82	ADF25618	93	ADF254510
34	ADF25111	43	SP199	53	ADF25846	63	ADF25303A	73	DPD25059	83	ADF25496	94	RE221
35	ADF25806	44	ADF25091	54	ADF25350	64	ADF25312B	74	ADF25816	84	ADF25539A	95	ADF25613
36	SP161	45	ADF25304A	55	PELH30ADF	65	HV200	75	ADF25223	85	DPV25103A	96	ADF25847
37	ADF25820	46	ADF25095	56	ADF25813	66	ADF25289	76	DPD45909B	86	ADF25819A	97	ADF25614
38	DPV25303	47	ADF25309	57	ADF25985	67	ADF25464	77	DPD25001B	87	ADF25980	98	ADF25528A
		48	ADF25096	58	ADF25904A	68	ADF25478	78	DPV25222	88	ADF25542	99	ADF25223
										89	ADF25540C	100	ADF25838
										111	ADF25544	132	ADF25413D
										112	SP146	133	ADF25343D
										113	ADF25917	134	ADF25348C
										114	PEL0180	135	ADF25345
										115	SP154	136	ADF25449A
										116	ADF25921	137	ADF25801A
										117	PEL983	138	TH05A
										118	ADF25541	139	H30804
										119	TS099A	140	ADF25543
										120	OT19C	141	ADF25972A
										121	TS095A	142	ADF25602



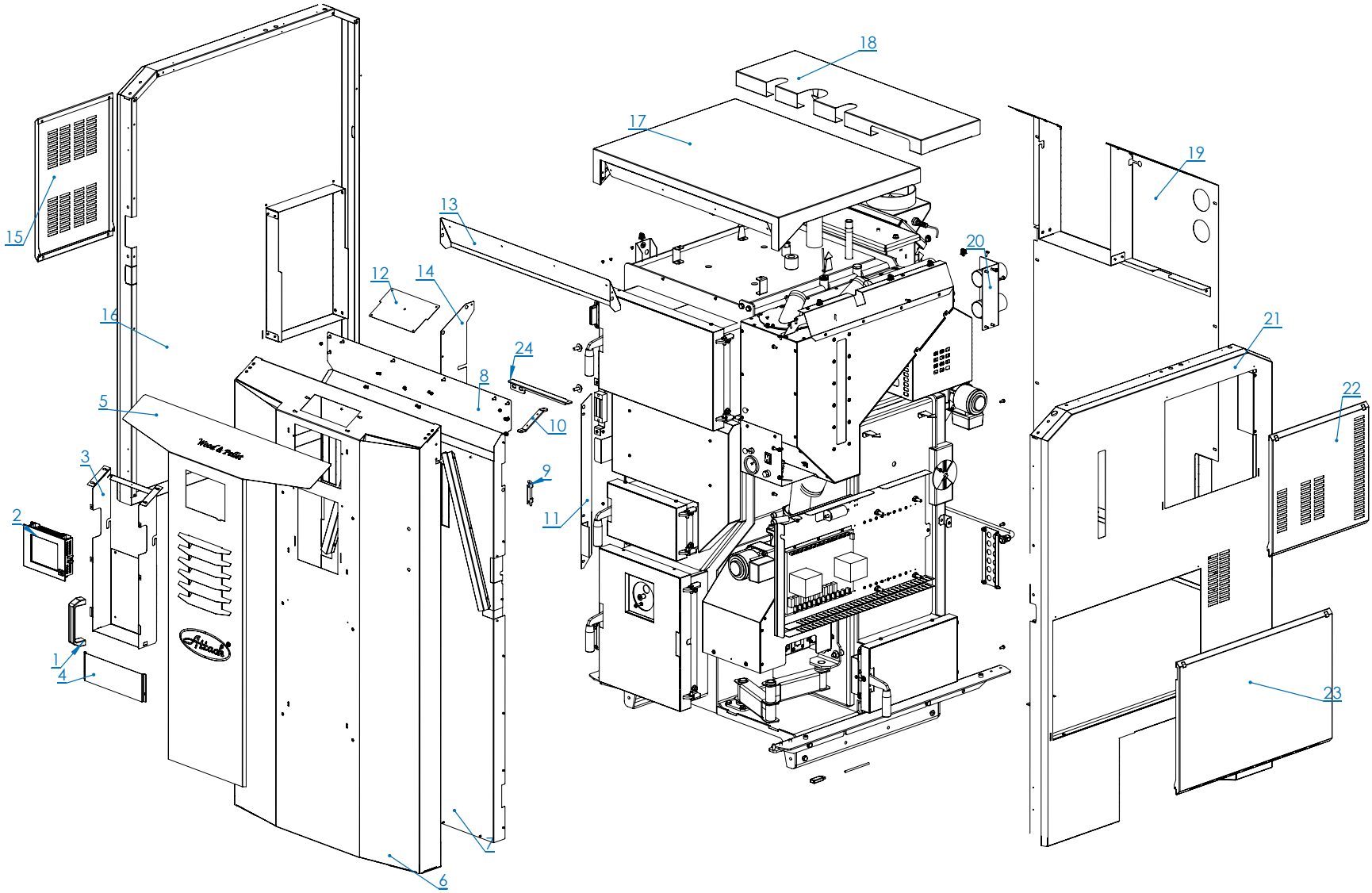
#	CODE
150	ADF25848
151	ADF25128C
152	ADF25851
153	ADF25850
154	ADF25131A
155	ADF25130A
156	ADF25104A
157	ADF25849
158	ADF25036
159	ADF25592
160	ADF25038B
161	ADF25037B
162	ADF25628
163	ADF25067B
164	ADF25066B
165	ADF25086A
166	ADF25087A
167	ADF25084
168	ADF25083B
169	ADF25841



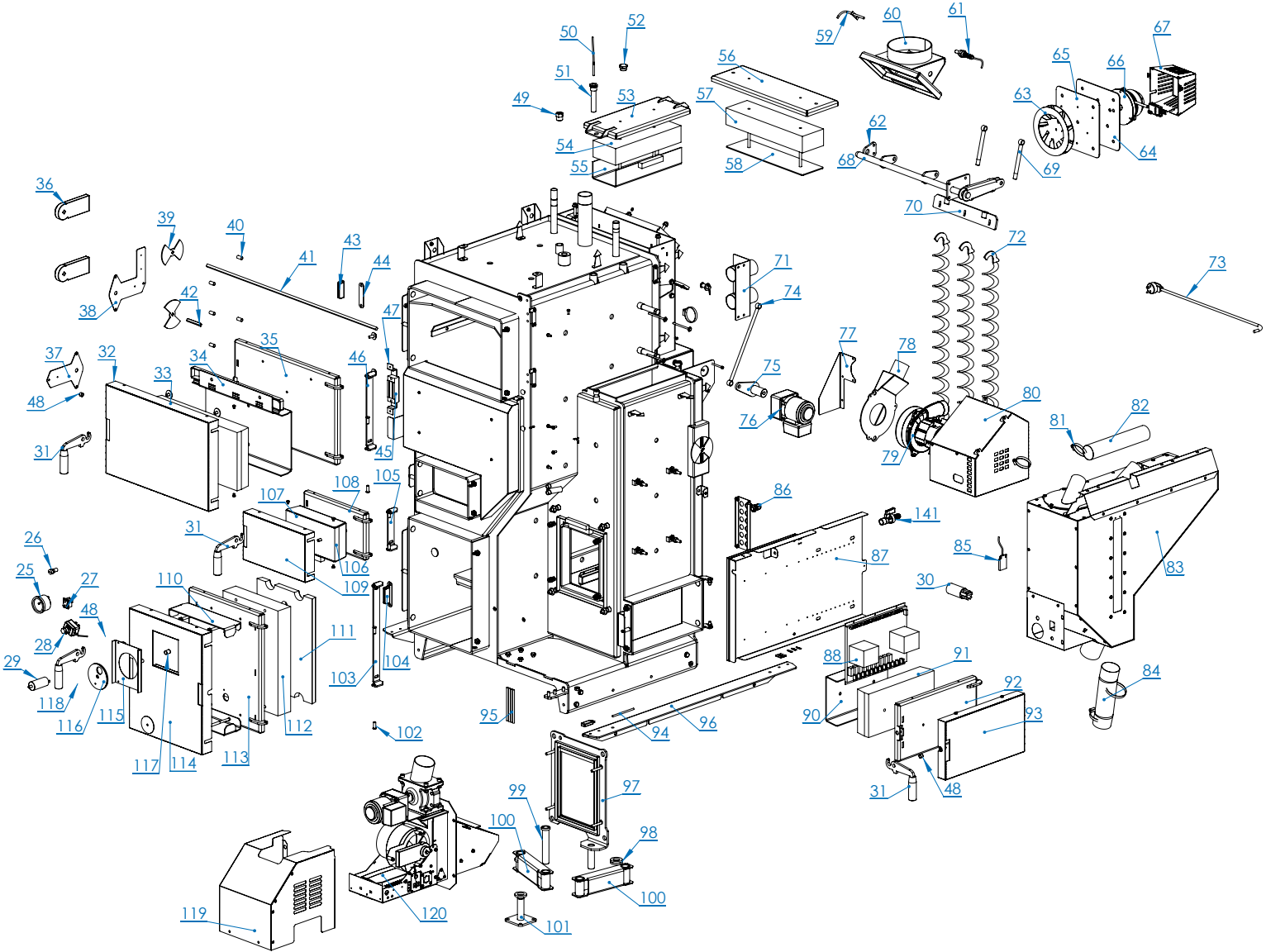




#	CODE	#	CODE
180	ADF25640	197	H30930A
181	H30980	198	H30001
182	PELH30830A	199	PELH30900A
183	ADF25386	200	TS118L
184	H30002	201	H30803
185	H30008A	202	H30009A
186	H30982	203	H30961B
187	PR15	204	ADF25802A
188	ADF25812	205	ADF25230
189	DPV25203	206	ADF25996C
190	ADF25395	207	ADF25459
191	DPV25304	208	DPV25803
192	ADF25063	209	PEL937
193	DPD25216	210	ADF25518
194	DPV25303	211	ADF25608
195	H30940A	212	H30921C
196	H30920B		

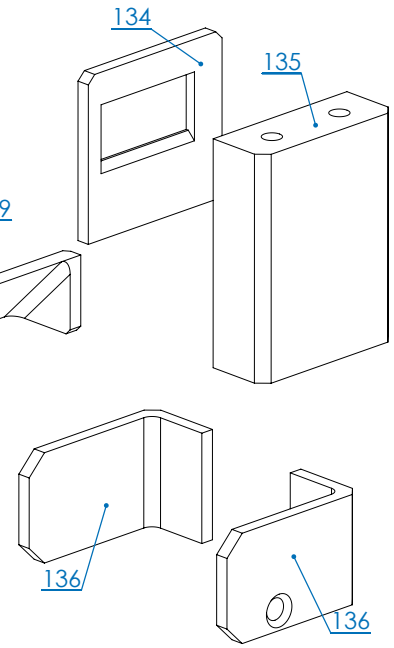
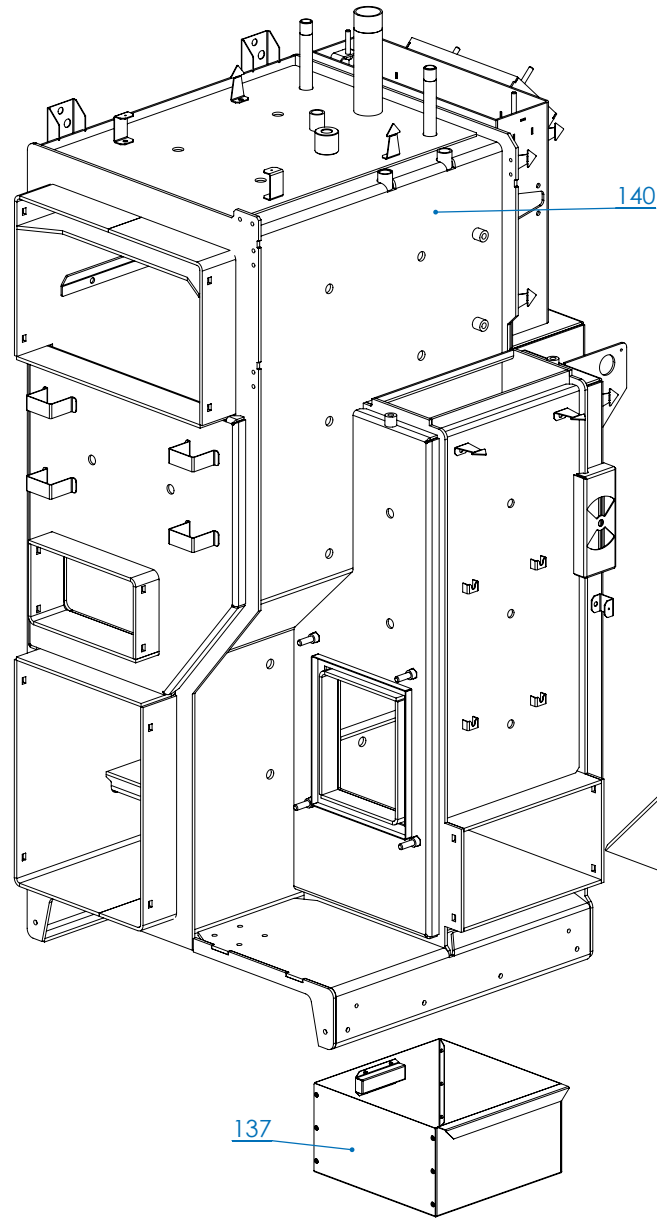
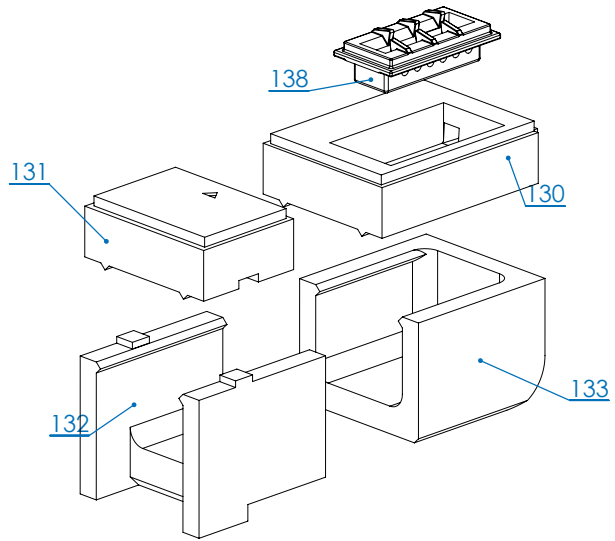
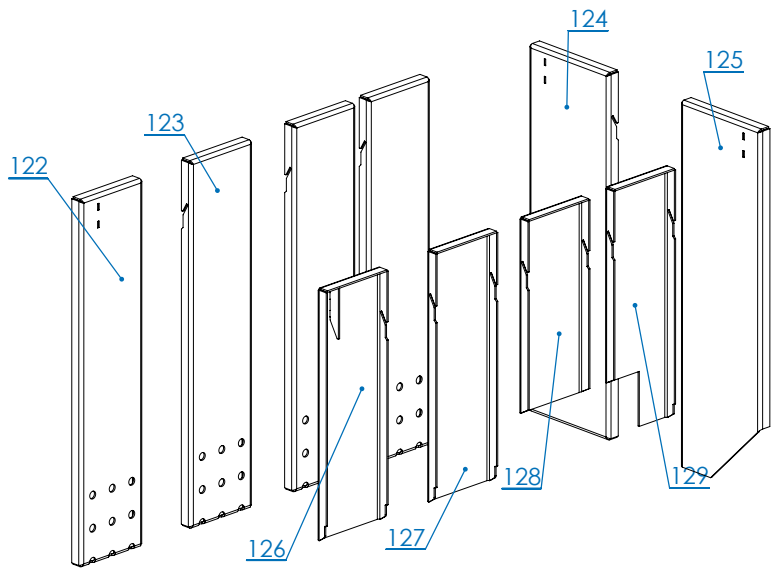


#	CODE
1	PEL801
2	ADF25641
3	ADF2566C
4	WPA25033
5	WPA25907
6	WPA25906
7	ADF25834C
8	ADF25444G
9	HV200
10	ADF25504A
11	ADF25721
12	WPA25022
13	ADF25445C
14	ADF25484D
15	WPA25016
16	WPA25902
17	WPA25903
18	WPA25904
19	WPA25905
20	ADF25830
21	WPA25901
22	WPA25015
23	WPA25014
24	ADF25593A



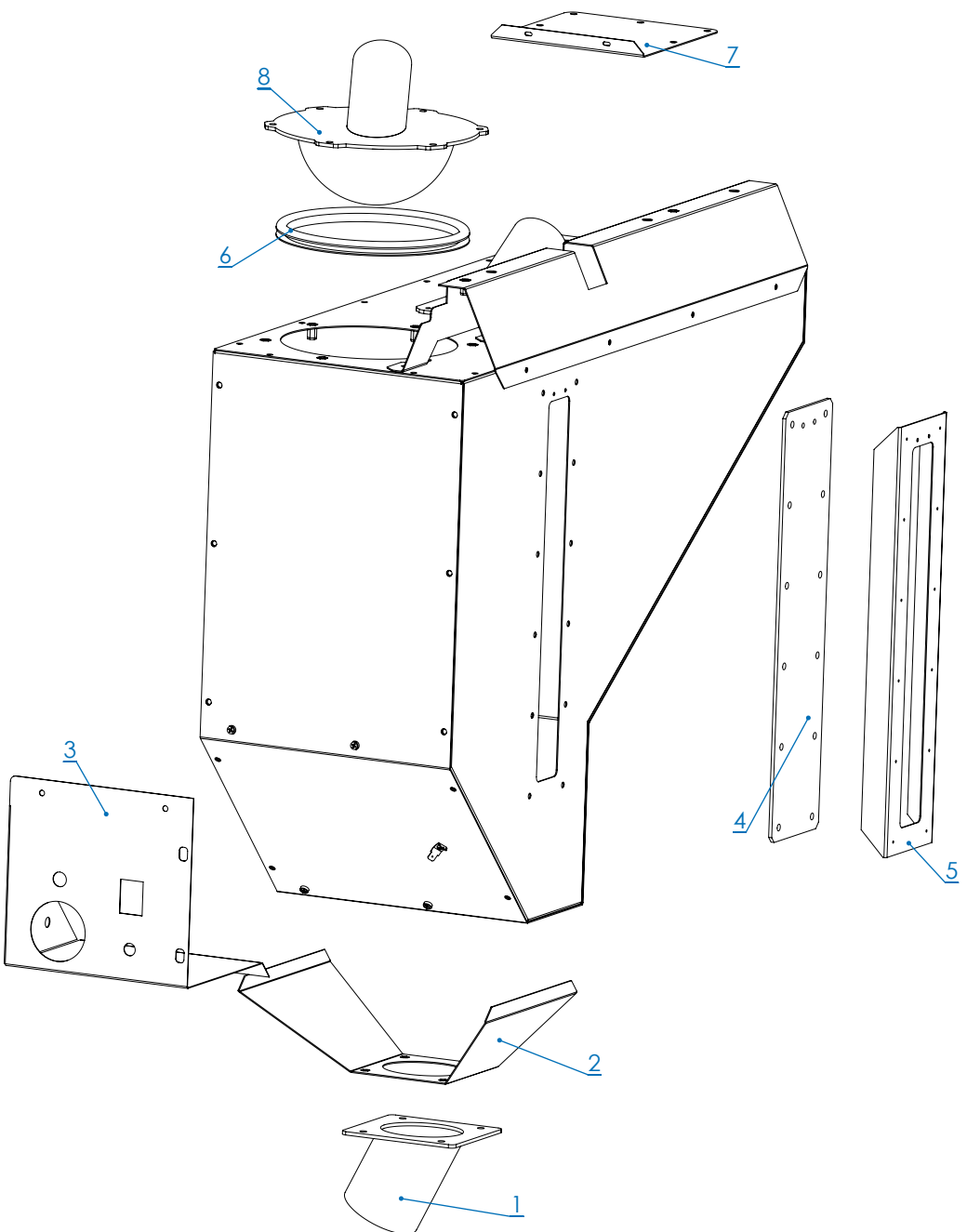
#	CODE
25	TS099A
26	TH05A
27	TS138
28	OT19C
29	DPD75002B
30	ADF25541
31	ADF25807
32	WPA25028
33	ADF25111
34	ADF25806
35	ADF25982A
36	DPD25216
37	ADF25063
38	ADF25515
39	DPV25203
40	DPV25304
41	ADF25134A
42	DPV25301A
43	ADF25465
44	ADF25490
45	ADF25289
46	ADF25312B
47	ADF25464
48	ADF25223
49	OT11
50	ADF25602
51	DPD25011
52	DPD25029
53	ADF25842
54	ADF25101
55	ADF25102
56	ADF25984
57	ADF25188
58	ADF25189
59	DPD25059
60	ADF25816
61	DPD25223
62	DPV45035A
63	DPD45909B
64	DPD25001B
65	DPV45040
66	DPD25202D
67	DPA45011
68	ADF25917
69	DPD25065
70	ADF25918
71	ADF25830
72	ADF25921
73	ADF25544
74	ADF25924
75	PEL983
76	PEL937
77	ADF25539A
78	ADF25819A
79	ADF25980
80	ADF25831
81	ADF25618
82	ADF25496
83	ADF25961D
84	ADF25350

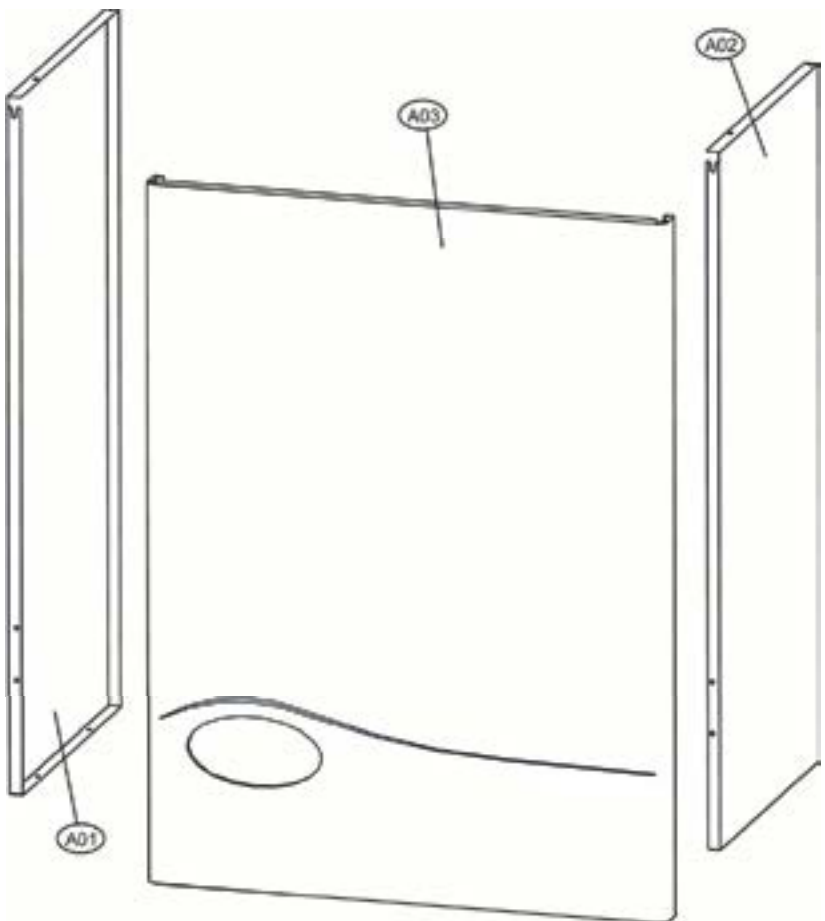
#	CODE
85	ADF25345
86	TS094
87	ADF25853
88	DPD25220
89	WP25014
90	ADF25613
91	ADF25614
92	ADF25838
93	WPA25030
94	DPD25224
95	ADF25600
96	ADF25460D
97	ADF25905
98	ADF25486
99	ADF25813
100	ADF25904A
101	ADF25985
102	ADF25308
103	ADF25307A
104	ADF25465
105	ADF25303A
106	ADF25096
107	ADF25095
108	ADF25983A
109	WPA25029
110	ADF25309
111	ADF25304A
112	ADF25091
113	ADF25955A
114	WPA25031
115	WPA25032
116	ADF25808
117	DPV25303
118	DPV25304
119	ADF25390B
120	PELH30ADF
121	DPD25220
141	TS103



#	CODE
122	ADF25848
123	ADF25128C
124	ADF25851
125	ADF25850
126	ADF25849
127	ADF25104A
128	ADF25130A
129	ADF25131A
130	ADF25038B
131	ADF25037B
132	ADF25067B
133	ADF25066B
134	ADF25086A
135	ADF25087A
136	ADF25083B
137	ADF25841
138	ADF25036
139	ADF25084

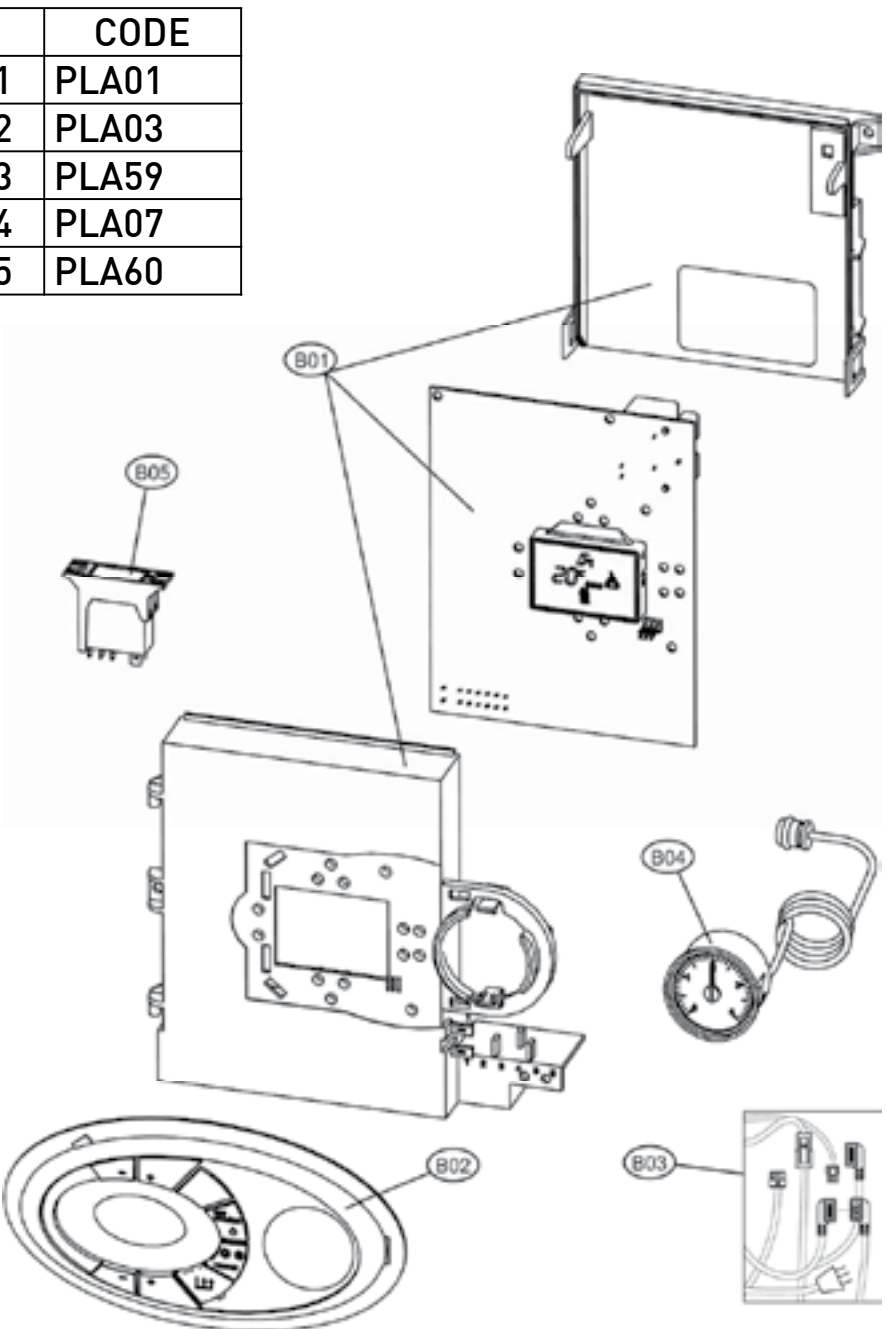
#	CODE
1	ADF25801A
2	ADF25449A
3	ADF25477D
4	ADF25348C
5	ADF25458C
6	ADF25582
7	ADF25579
8	ADF25829



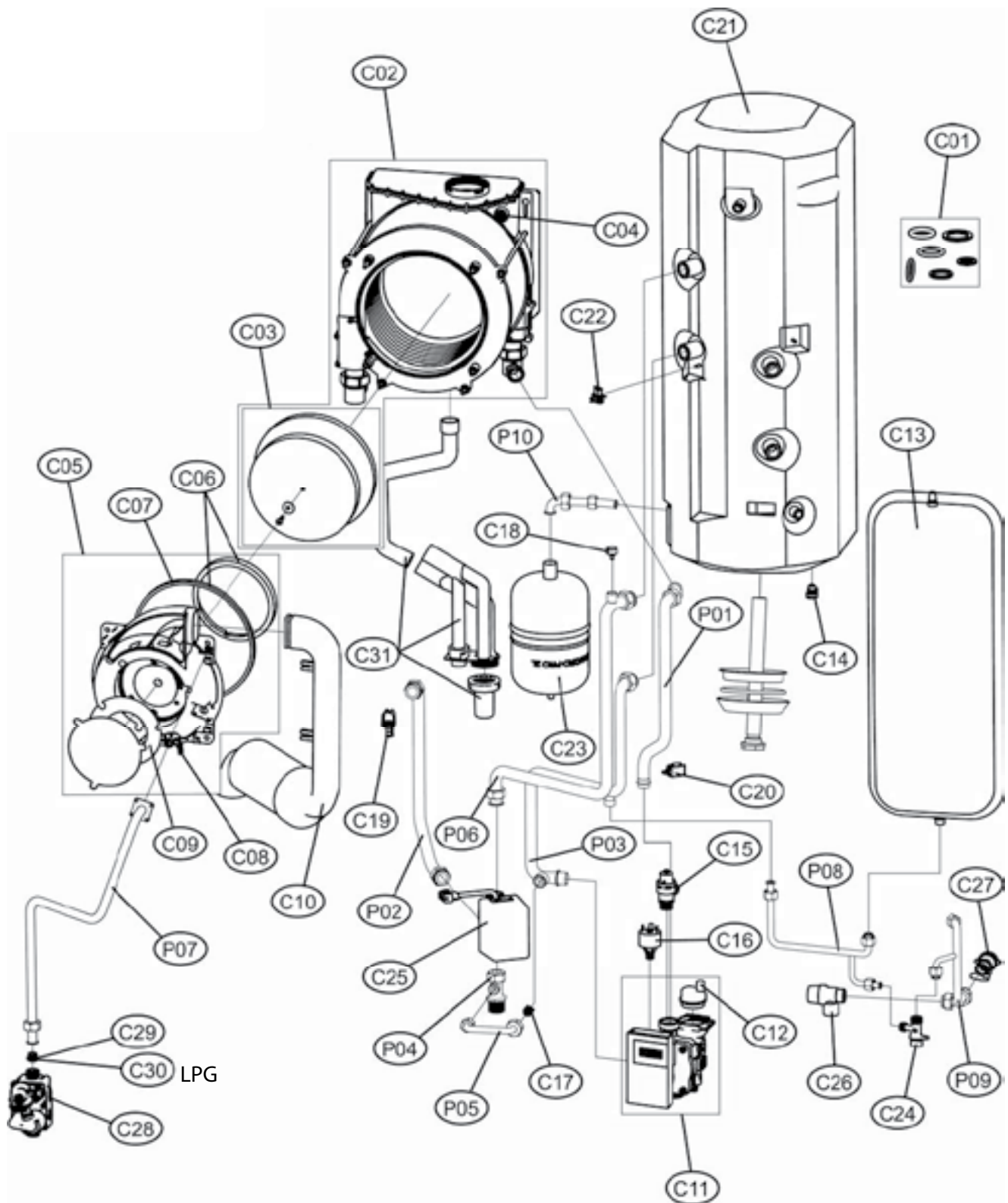


#	CODE
A01	PLA56
A02	PLA57
A03	PLA58

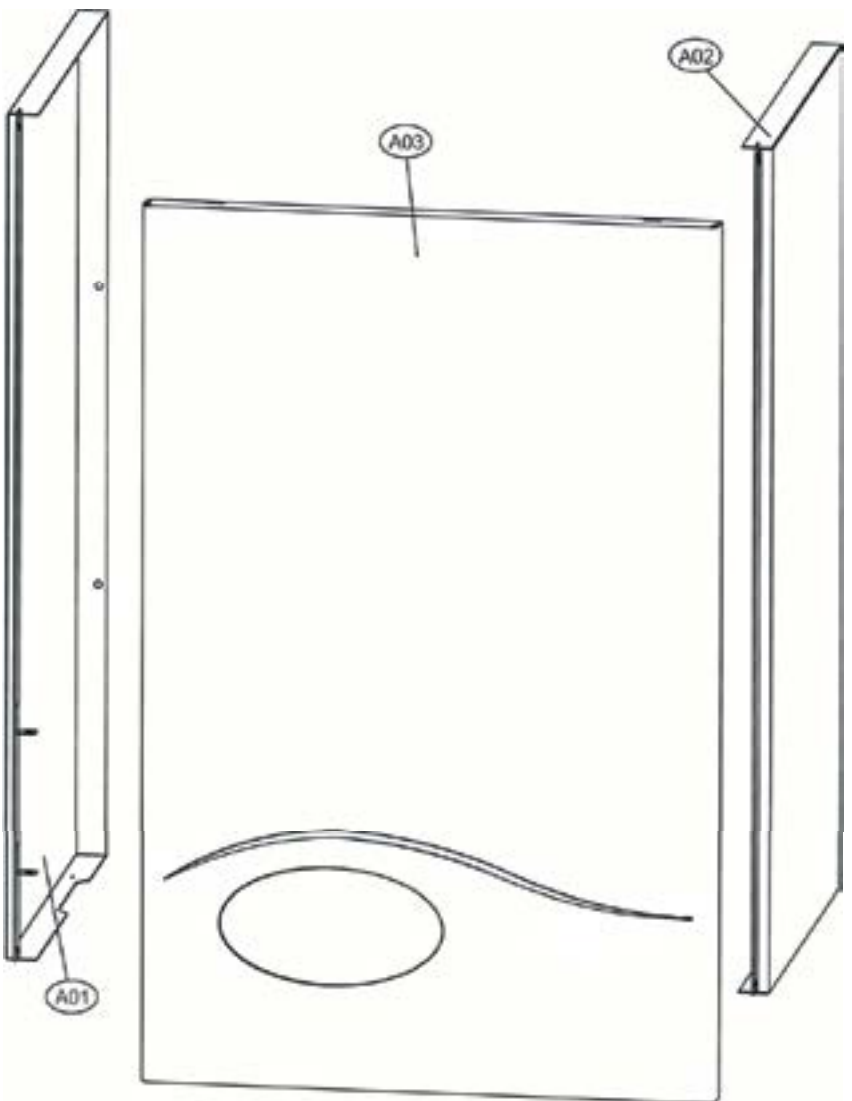
ATTACK KZT Plus



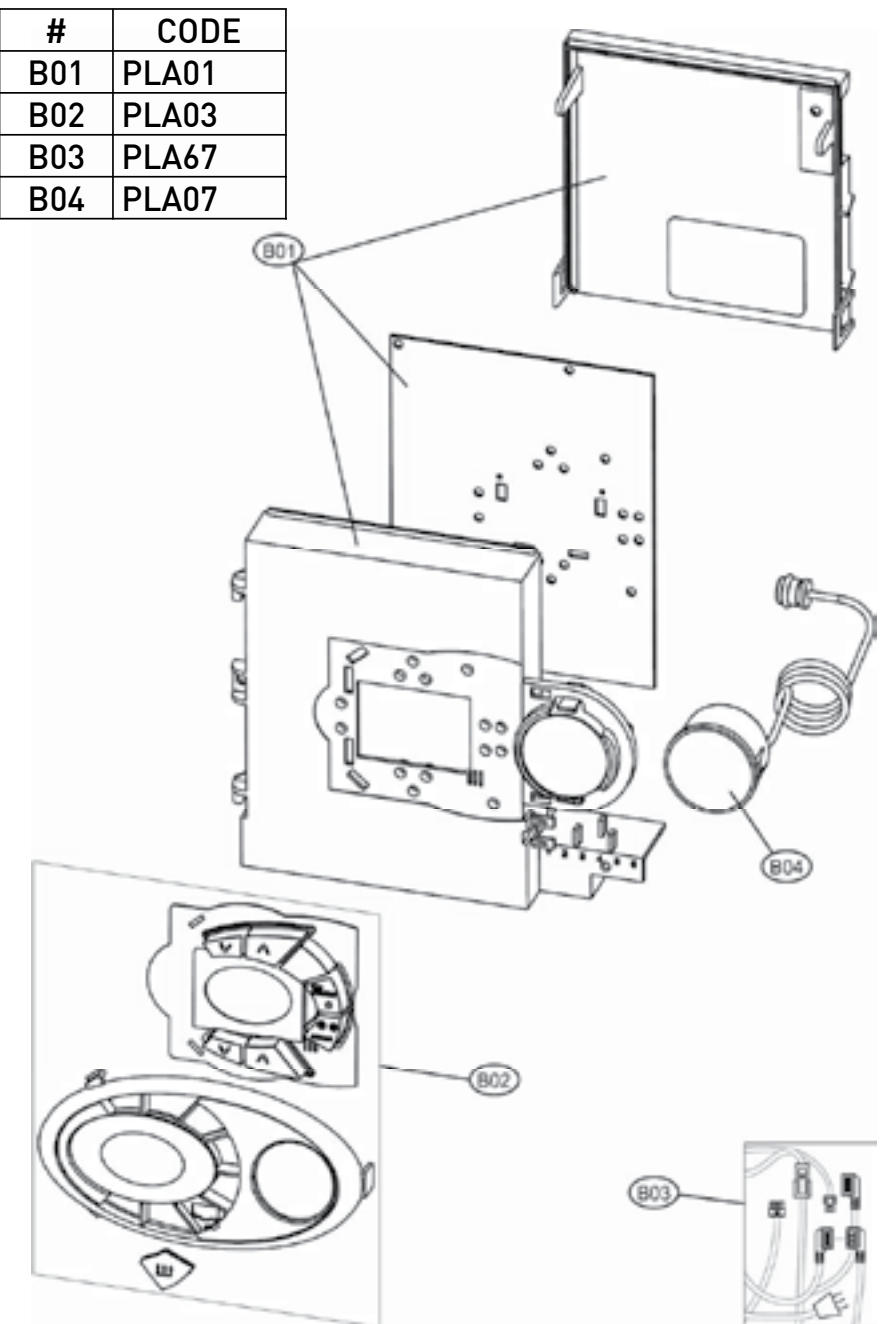
#	CODE
B01	PLA01
B02	PLA03
B03	PLA59
B04	PLA07
B05	PLA60



#	CODE	#	CODE	#	CODE	#	CODE	#	CODE
C01	PLA08	C10	PLA19	C18	PLA26	C26	PL81	P03	PLA37
C02	PLA11	C11	PLA61	C19	PL77	C27	PL108	P04	PLA41
C03	PLA12	C12	PL29	C20	PL23	C28	PLA29	P05	PLA42
C04	PLA13	C13	PLA21	C21	PLA28	C29	PLA62	P06	PLA46
C05	PLA14	C14	PL107	C22	PL25	C30	PLA30	P07	PLA47
C06	PLA15	C15	PL26	C23	PL76	C31	PLA63	P08	PLA48
C07	PLA16	C16	PL27	C24	PLA23	P01	PLA33	P09	PLA49
C08	PLA17	C17	PL37	C25	PLA32	P02	PLA36	P10	PLA50
C09	PLA18								

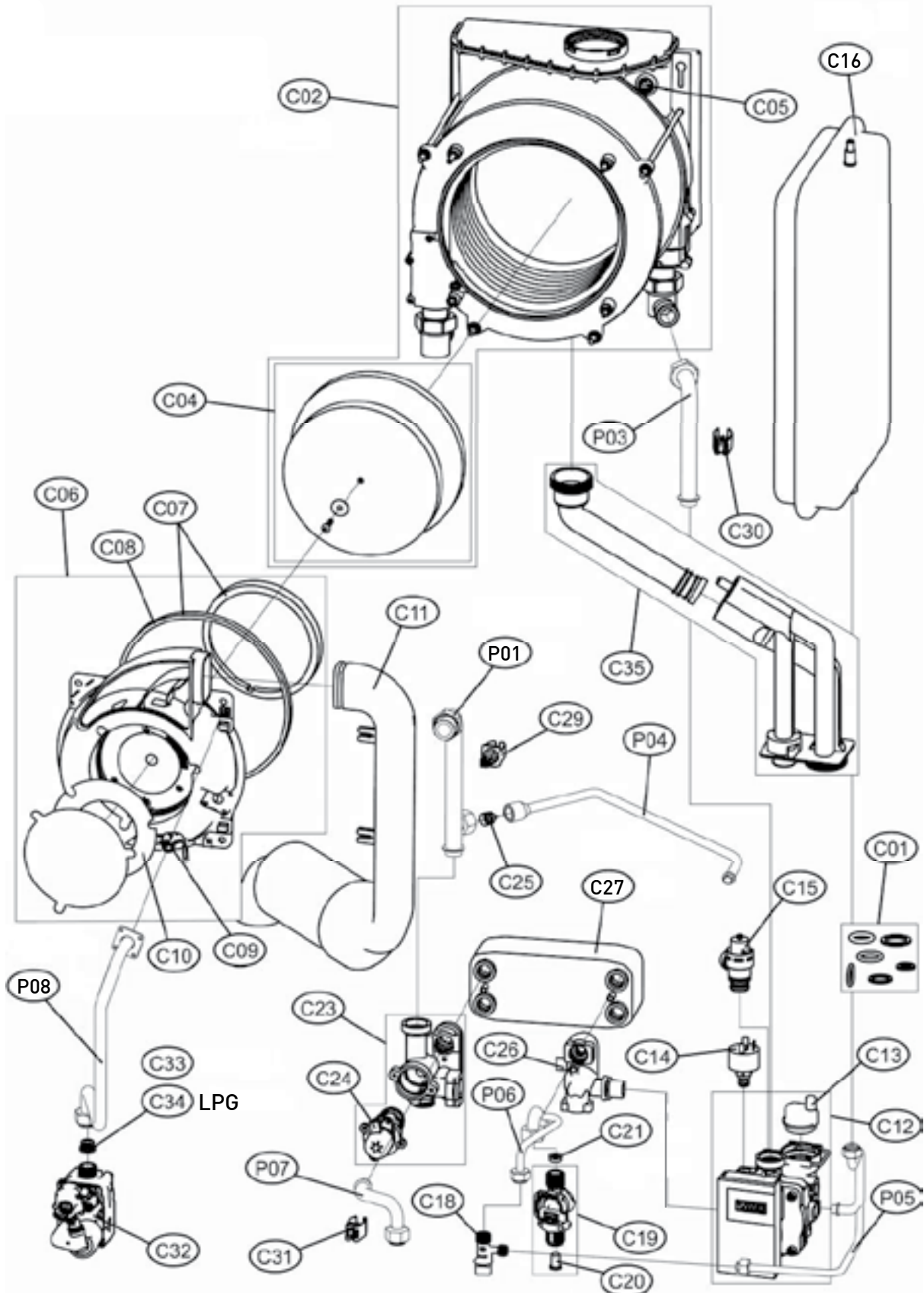


#	CODE
A01	PLA64
A02	PLA65
A03	PLA66

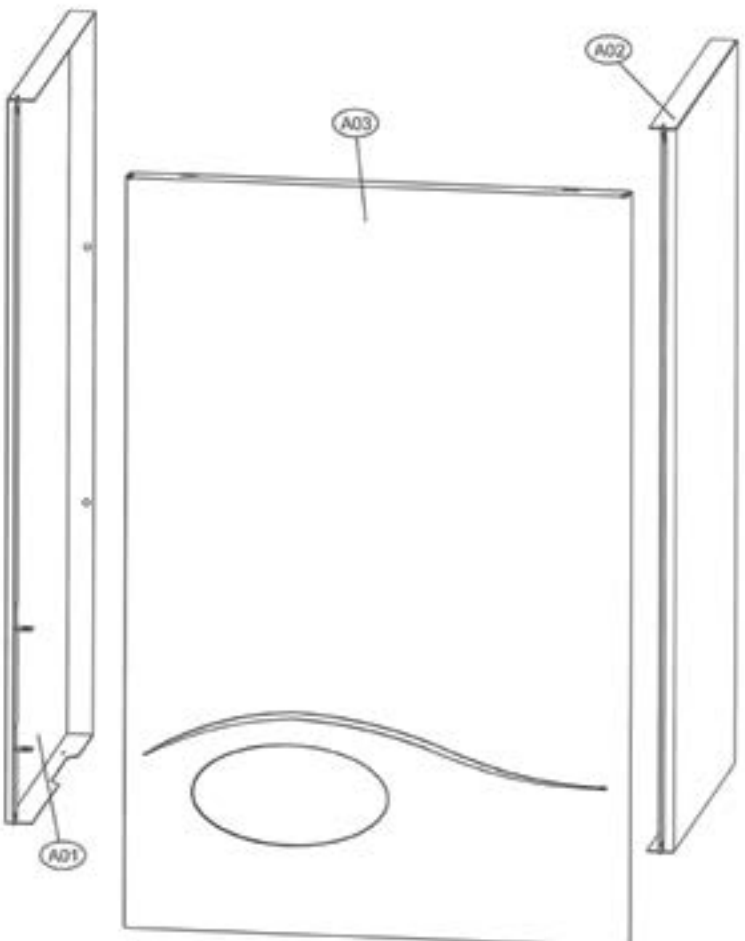


#	CODE
B01	PLA01
B02	PLA03
B03	PLA67
B04	PLA07



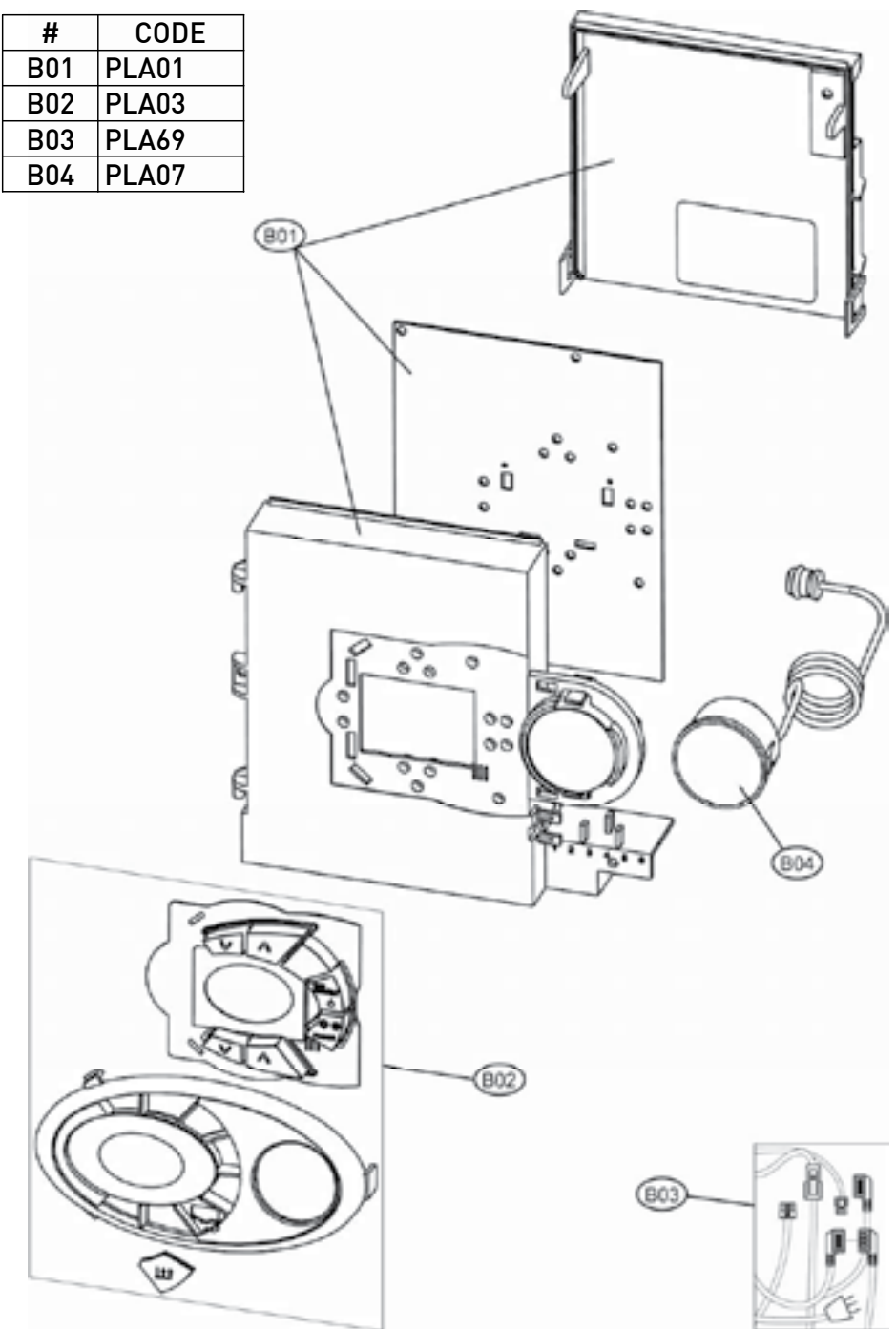


#	CODE	#	CODE	#	CODE	#	CODE	#	CODE
C01	PLA68	C10	PLA18	C19	PLA24	C29	PL77	P01	PLA40
C02	PLA11	C11	PLA19	C20	PLA25	C30	PL23	P03	PLA35
C04	PLA12	C12	PLA61	C21	PL82	C31	PL24	P04	PLA38
C05	PLA13	C13	PL29	C23	PL31	C32	PLA29	P05	PLA40
C06	PLA14	C14	PL27	C24	PL295	C33	PLA62	P06	PLA43
C07	PLA15	C15	PL26	C25	PL37	C34	PLA30	P07	PLA45
C08	PLA16	C16	PLA22	C26	PL288	C35	PLA63	P08	PLA44
C09	PLA17	C18	PLA23	C27	PL289				

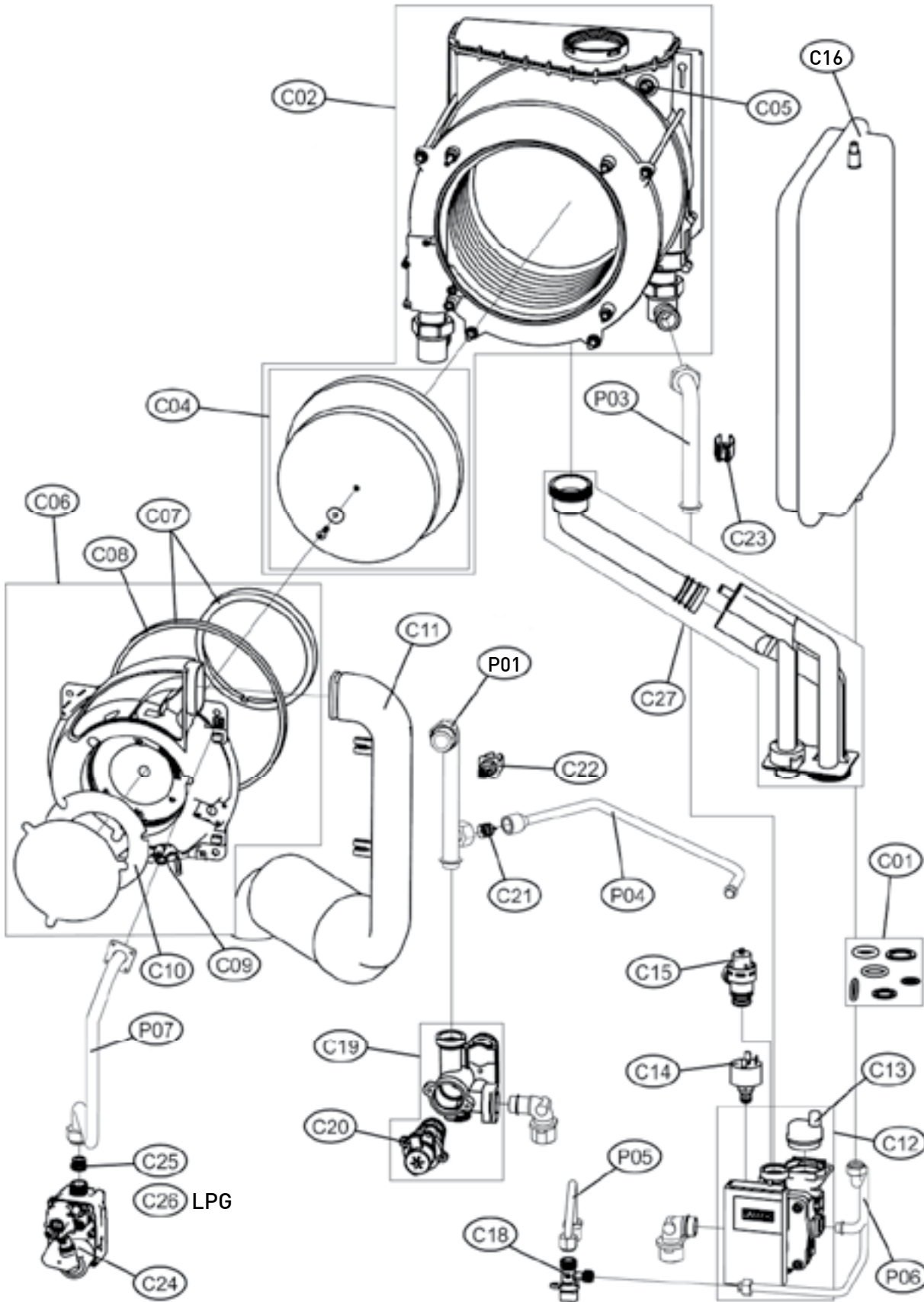


#	CODE
A01	PLA64
A02	PLA65
A03	PLA66

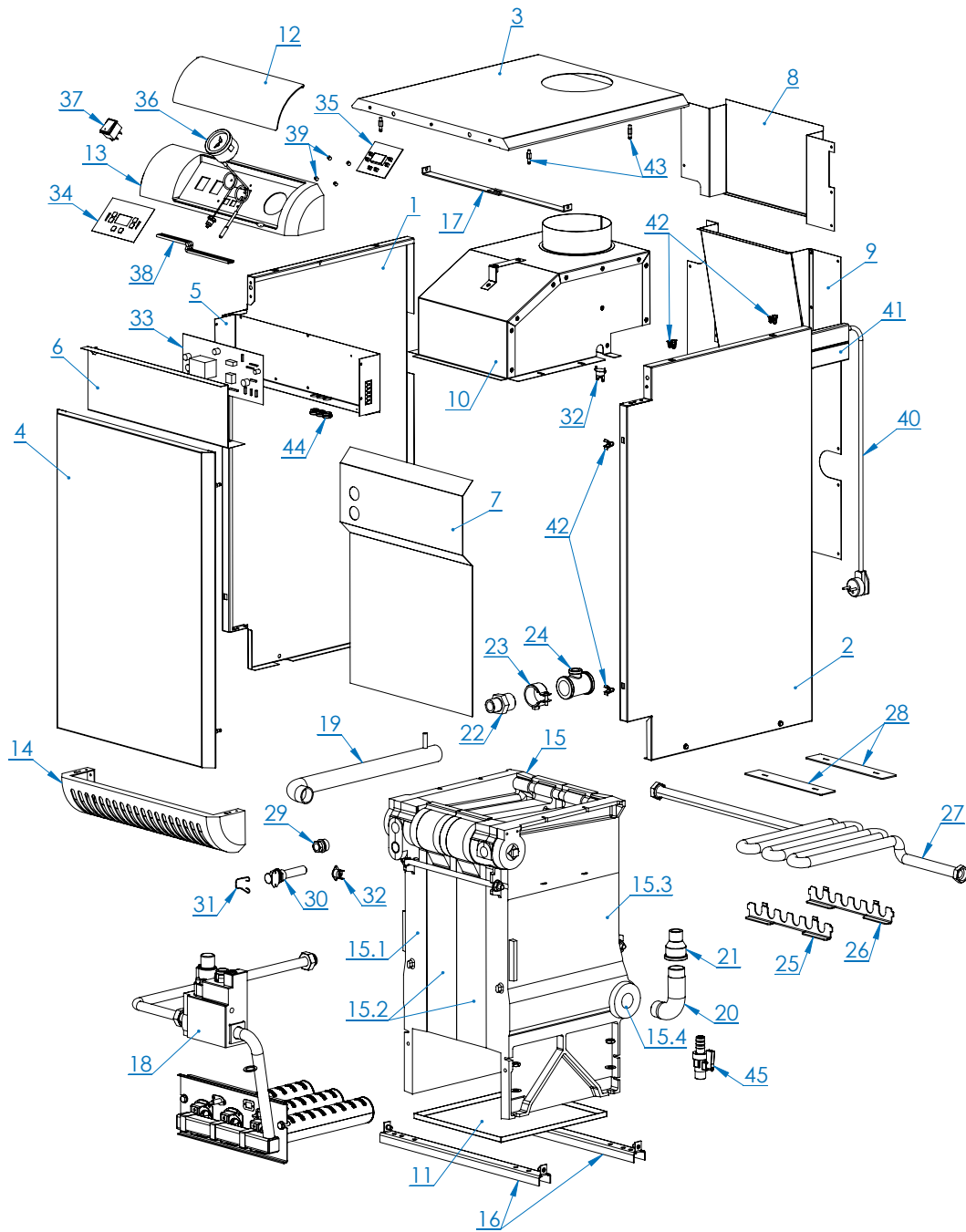
# ATTACK KT Plus, KT Small Plus



#	CODE
B01	PLA01
B02	PLA03
B03	PLA69
B04	PLA07

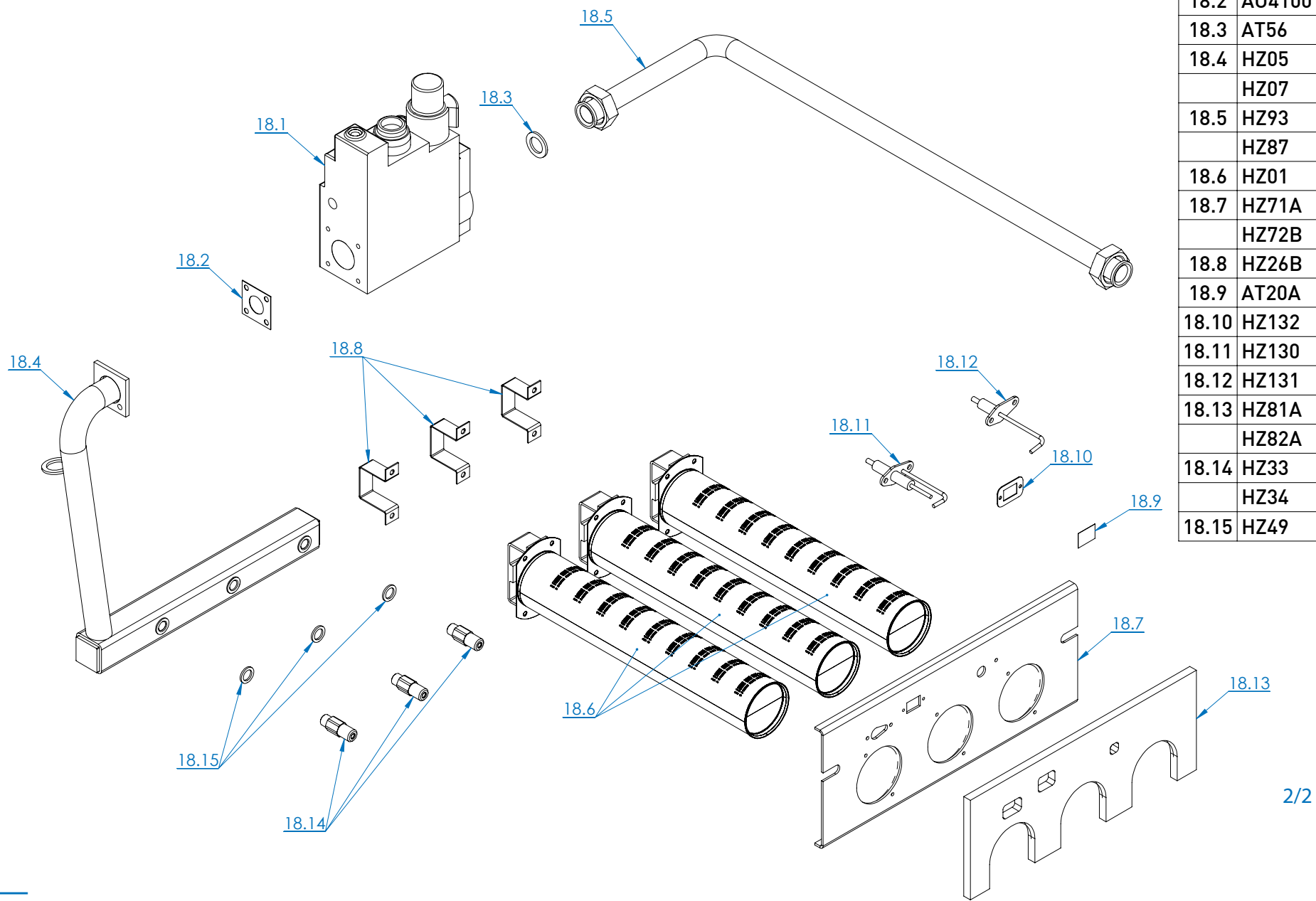


#	CODE
C01	PLA09
C02	PLA11
C04	PLA12
C05	PLA13
C06	PLA14
C07	PLA15
C08	PLA16
C09	PLA17
C10	PLA18
C11	PLA19
C12	PLA61
C13	PL29
C14	PL27
C15	PL26
C16	PLA22
C18	PLA23
C19	PL30
C20	PL295
C21	PL37
C22	PL77
C23	PL23
C24	PLA29
C25	PLA62
C26	PLA30
C27	PLA63
P01	PLA34
P03	PLA35
P04	PLA38
P05	PLA39
P06	PLA40
P07	PLA44

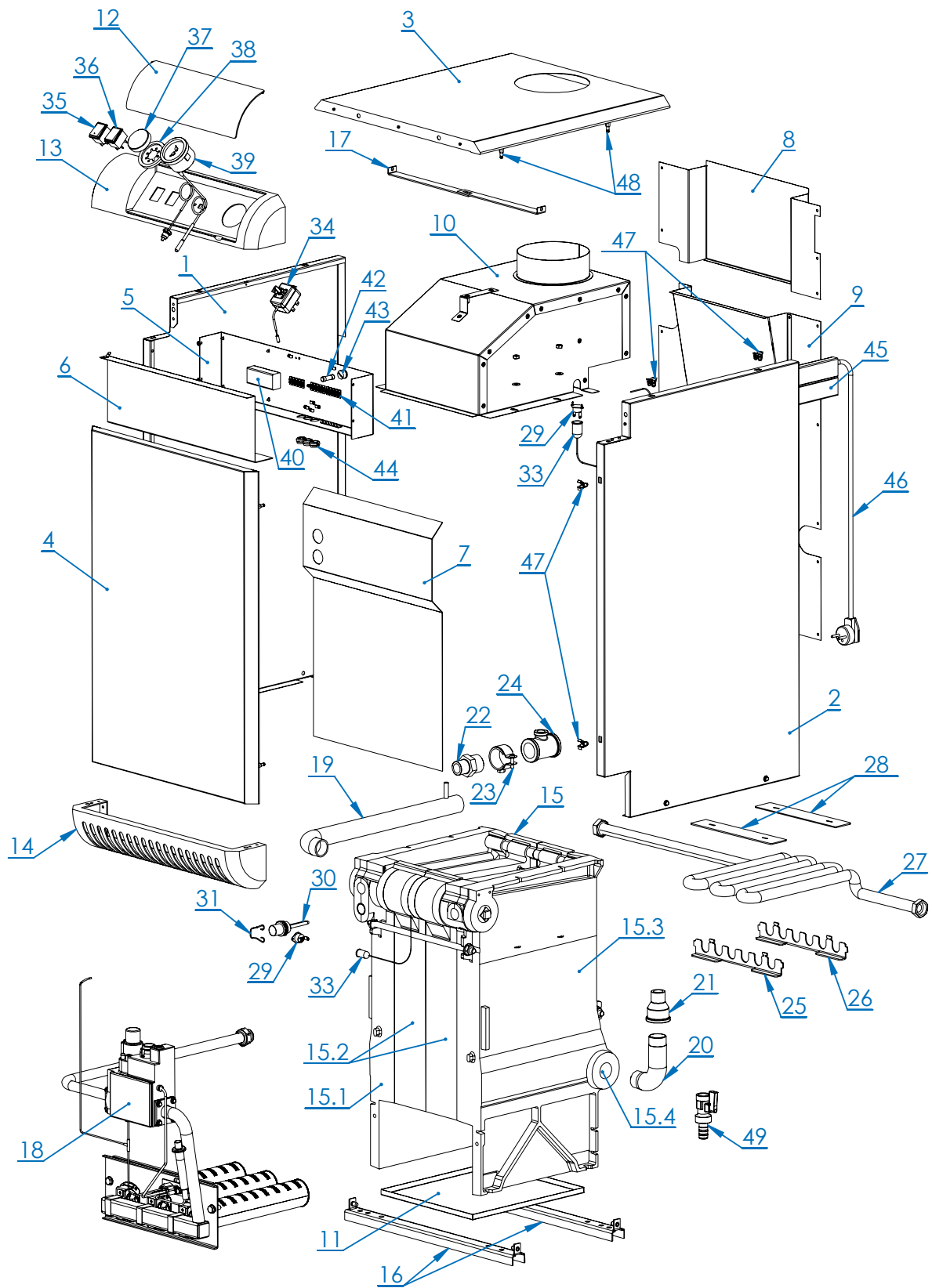


#	CODE	[kW]	#	CODE	[kW]
1	TS001D	15-30	18	Page 2/2	
2	TS002B	15-30	19	TS067B	15-30
3	TS008A	15, 20	20	TS068	15-30
	TS009	25, 30	21	TS555	15-30
4	TS013	15, 20	22	TS556	15-30
	TS014	25, 30	23	TS557	15-30
5	TS535	15, 20	24	TS554	15-30
	TS536	25, 30	25	TS080	15, 20
6	TS538	15, 20		TS079	25, 30
	TS540	25, 30	26	TS080A	15, 20
7	TS024	15, 20		TS079A	25, 30
	TS025	25, 30	27	TS081	15, 20
8	TS035C	15, 20		TS082	25, 30
	TS036B	25, 30	28	TS224	15, 20
9	TS041C	15, 20		TS223	25, 30
	TS042C	25, 30	29	OT11	15-30
10	TS030C	15, 20	30	TS102	15-30
	TS031C	25, 30	31	TS106	15-30
11	TS047	15, 20	32	TH27A	15
	TS048	25, 30		TS215	15-30
12	TS083	15-30	33	RZ21	15-30
13	TS220	15, 20	34	RZ41A	15-30
	TS221	25, 30	35	RZ22	15-30
14	TS087	15, 20	36	TS099	15-30
	TS088	25, 30	37	TS095	15-30
15	TS062	15, 20	38	RZ21A	15-30
	TS063	25, 30	39	HV65	15-30
15.1	TS146	15-30	40	TS091	15-30
15.2	TS147	15-30	41	TS107	15-30
15.3	TS145	15-30	42	TS122	15-30
15.4	SR47B	15-30	43	TS123	15-30
16	TS052	15, 20	44	TS094	15-30
	TS053	25, 30	45	TS103	15-30
17	TS140A	15, 20			
	TS140B	25, 30			

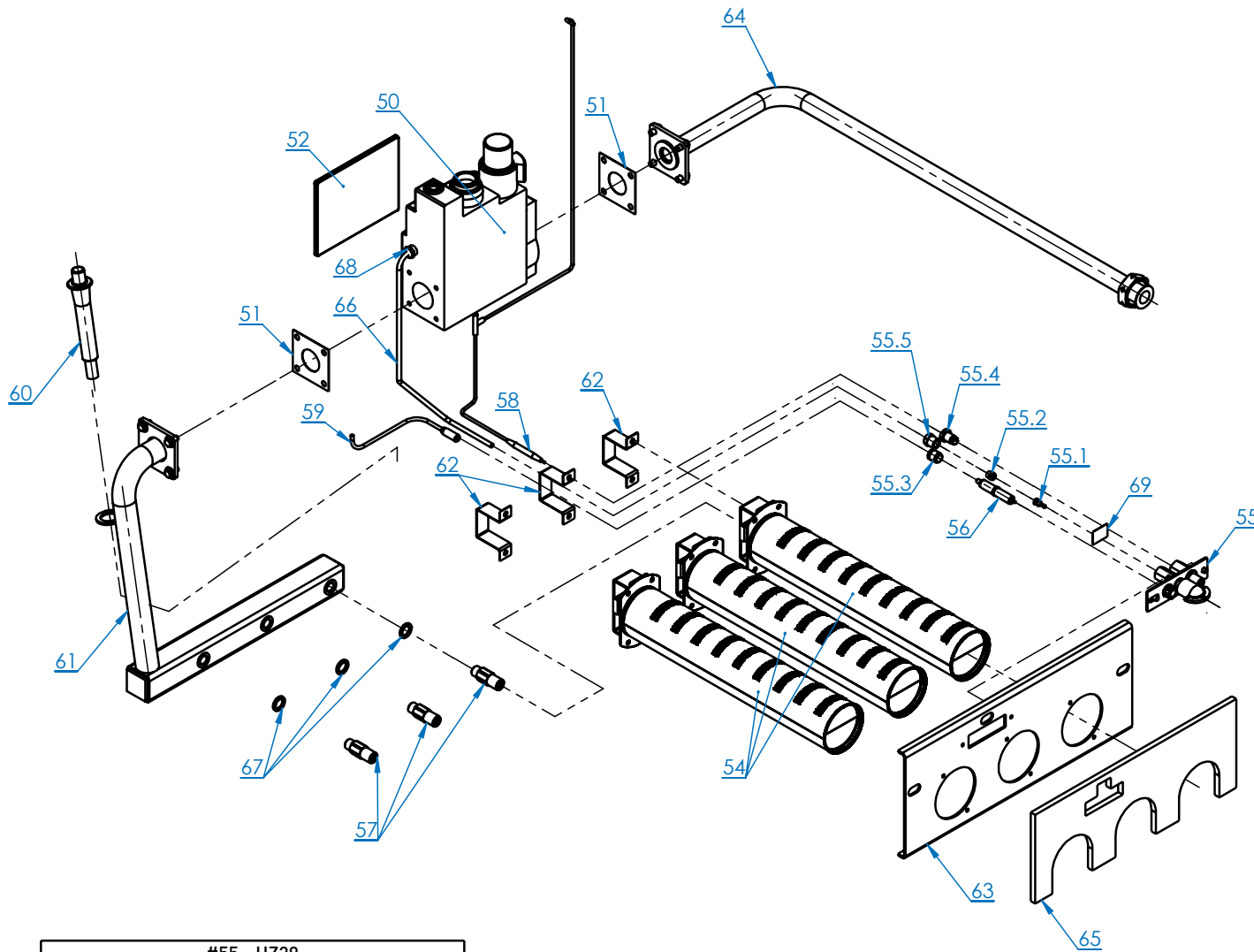
#	CODE	[kW]
18.1	AU4105MR	15-30
18.2	AU4100T	15-30
18.3	AT56	15-30
18.4	HZ05	15, 20
	HZ07	25, 30
18.5	HZ93	15, 20
	HZ87	25, 30
18.6	HZ01	15-30
18.7	HZ71A	15, 20
	HZ72B	25, 30
18.8	HZ26B	15-30
18.9	AT20A	15-30
18.10	HZ132	15-30
18.11	HZ130	15-30
18.12	HZ131	15-30
18.13	HZ81A	15, 20
	HZ82A	25, 30
18.14	HZ33	15, 25
	HZ34	20, 30
18.15	HZ49	15-30



2/2



#	CODE	[kW]	TYPE	#	CODE	[kW]	TYPE
1	TS001D	12-30	EKO, PLQ, KLV, KLQ, E COMBI	23	TS557	12-30	EKO, PLQ, KLV, KLQ, E COMBI
2	TS002B	12-30	EKO, PLQ, KLV, KLQ, E COMBI	24	TS554	12-30	EKO, PLQ, KLV, KLQ, E COMBI
3	TS008A	12,15,20	EKO, PLQ, KLV, KLQ, E COMBI	25	TS080	12,15,20	EKO, PLQ, KLV, KLQ, E COMBI
	TS009	25,30	EKO, PLQ, KLV, KLQ, E COMBI		TS079	25,30	EKO, PLQ, KLV, KLQ, E COMBI
4	TS013	12,15,20	EKO, PLQ, KLV, KLQ, E COMBI	26	TS080A	12,15,20	EKO, PLQ, KLV, KLQ, E COMBI
	TS014	25,30	EKO, PLQ, KLV, KLQ, E COMBI		TS079A	25,30	EKO, PLQ, KLV, KLQ, E COMBI
5	TS018	12,15,20	EKO, PLQ, KLV, KLQ, E COMBI	27	TS081	12,15,20	EKO, PLQ, KLV, KLQ, E COMBI
	TS019	25,30	EKO, PLQ, KLV, KLQ, E COMBI		TS082	25,30	EKO, PLQ, KLV, KLQ, E COMBI
6	TS018A	12,15,20	EKO, PLQ, KLV, KLQ, E COMBI	28	TS224	12,15,20	EKO, PLQ, KLV, KLQ, E COMBI
	TS019A	25,30	EKO, PLQ, KLV, KLQ, E COMBI		TS223	25,30	EKO, PLQ, KLV, KLQ, E COMBI
7	TS024	12,15,20	EKO, PLQ, KLV, KLQ, E COMBI	29	TS215A	12-30	EKO, PLQ COMBI
	TS025	25,30	EKO, PLQ, KLV, KLQ, E COMBI		TS215	12-30	EKO, PLQ, KLV, KLQ, E COMBI
8	TS035C	12,15,20	EKO, PLQ, KLV, KLQ, E COMBI		TH27A	12,15,20	EKO, PLQ, KLV, KLQ, E COMBI
	TS036B	25,30	EKO, PLQ, KLV, KLQ, E COMBI	30	TS102	12-30	EKO, PLQ, KLV, KLQ, E COMBI
9	TS041C	12,15,20	EKO, PLQ, KLV, KLQ, E COMBI	31	TS106	12-30	EKO, PLQ, KLV, KLQ, E COMBI
	TS042C	25,30	EKO, PLQ, KLV, KLQ, E COMBI	32	OT11	12-30	EKO, PLQ, KLV, KLQ, E COMBI
10	TS030C	12,15,20	EKO, PLQ, KLV, KLQ, E COMBI	33	TH19	12-30	EKO, PLQ, KLV, KLQ, E COMBI
	TS031C	25,30	EKO, PLQ, KLV, KLQ, E COMBI	34	TH21	15,20,25	E COMBI
11	TS047	12,15,20	EKO, PLQ, KLV, KLQ, E COMBI		DPD25008A	12-30	EKO, PLQ, KLV, KLQ COMBI
	TS048	25,30	EKO, PLQ, KLV, KLQ, E COMBI	35	TS095	12-30	EKO, PLQ, KLV, KLQ, E COMBI
12	TS083	12-30	EKO, PLQ, KLV, KLQ, E COMBI	36	TS096A	15-30	PLQ, KLQ COMBI
13	TS084	12,15,20	EKO, PLQ, KLV, KLQ, E COMBI	37	TH24C	12-30	EKO, PLQ, KLV, KLQ COMBI
	TS085	25,30	EKO, PLQ, KLV, KLQ, E COMBI		TH24D	15,20,25	E COMBI
14	TS087	12,15,20	EKO, PLQ, KLV, KLQ, E COMBI	38	TS098P	12-30	EKO, PLQ, KLV, KLQ, E COMBI
	TS088	25,30	EKO, PLQ, KLV, KLQ, E COMBI	39	TS099	12-30	EKO, PLQ, KLV, KLQ, E COMBI
15	TS062	12,15,20	EKO, PLQ, KLV, KLQ, E COMBI	40	TS092A	12-30	EKO, PLQ, KLV, KLQ, E COMBI
	TS063	25,30	EKO, PLQ, KLV, KLQ, E COMBI	41	TS190	15,20,25	E COMBI
15.1	TS146	12-30	EKO, PLQ, KLV, KLQ, E COMBI		TS191	12-30	EKO COMBI
15.2	TS147	12-30	EKO, PLQ, KLV, KLQ, E COMBI		TS193	15-30	KLQ COMBI
15.3	TS145	12-30	EKO, PLQ, KLV, KLQ, E COMBI		TS194	12-30	KLQ COMBI
15.4	SR47B	12-30	EKO, PLQ, KLV, KLQ, E COMBI		TS195	15-30	PLQ COMBI
16	TS052	12,15,20	EKO, PLQ, KLV, KLQ, E COMBI	42	TH06	12-30	EKO, PLQ, KLV, KLQ, E COMBI
	TS053	25,30	EKO, PLQ, KLV, KLQ, E COMBI	43	TH05A	12-30	EKO, PLQ, KLV, KLQ, E COMBI
17	TS140A	12,15,20	EKO, PLQ, KLV, KLQ, E COMBI	44	TS094	12-30	EKO, PLQ, KLV, KLQ, E COMBI
	TS140B	25,30	EKO, PLQ, KLV, KLQ, E COMBI	45	TS107	12-30	EKO, PLQ, KLV, KLQ, E COMBI
18	Page 2/2			46	TS091	12-30	EKO, PLQ, KLV, KLQ, E COMBI
19	TS067B	12-30	EKO, PLQ, KLV, KLQ, E COMBI	47	TS122	12-30	EKO, PLQ, KLV, KLQ, E COMBI
20	TS068	12-30	EKO, PLQ, KLV, KLQ, E COMBI	48	TS123	12-30	EKO, PLQ, KLV, KLQ, E COMBI
21	TS555	12-30	EKO, PLQ, KLV, KLQ, E COMBI	49	TS103	12-30	EKO, PLQ, KLV, KLQ, E COMBI
22	TS556	12-30	EKO, PLQ, KLV, KLQ, E COMBI				

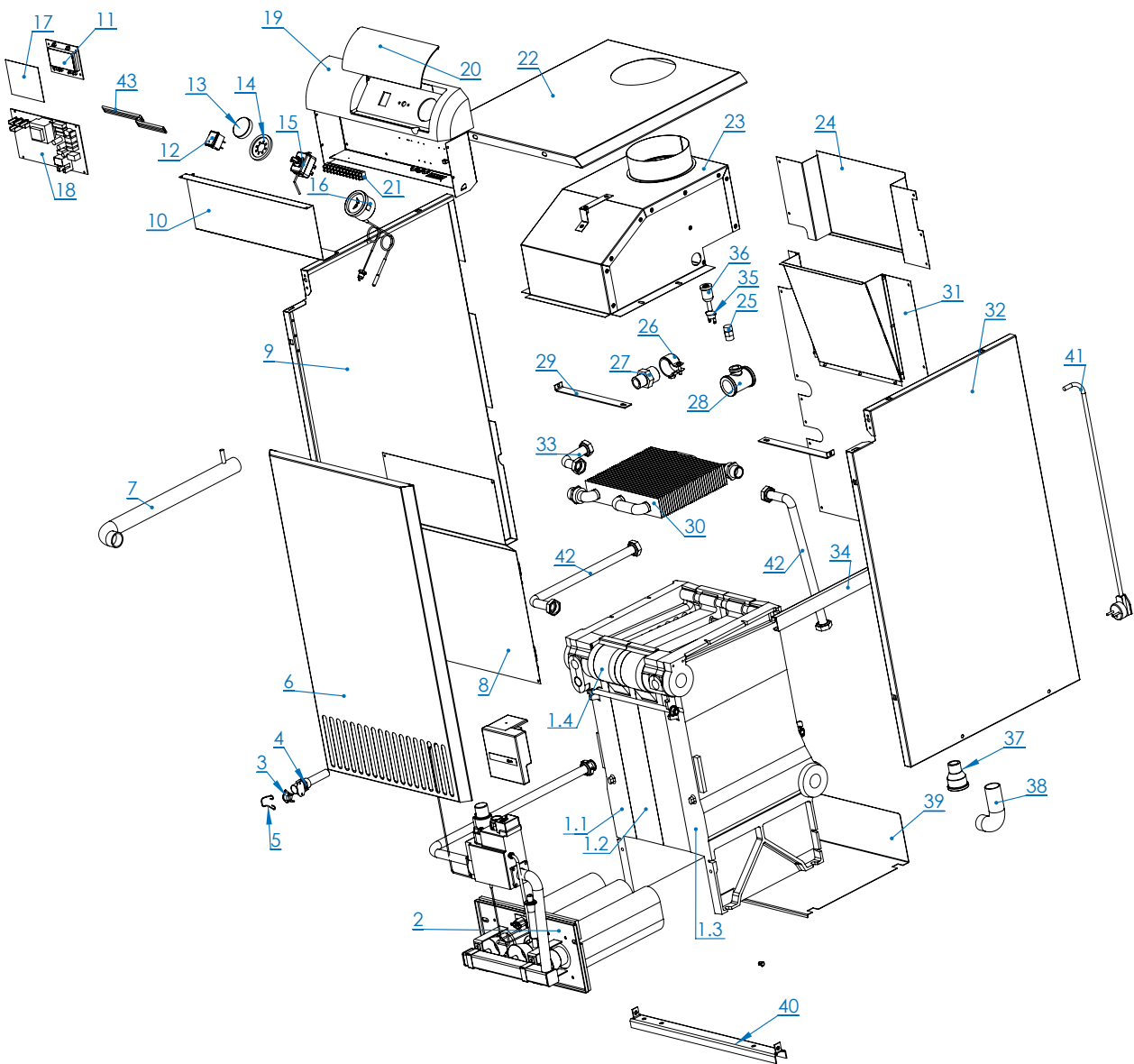


#	CODE	[kW]	TYPE
50	AU4600C	12-30	EKO COMBI
	AU4600Q	15-30	PLQ COMBI
	AU4100C	12-30	KLV COMBI
	AU4100Q	15-30	KLQ, E COMBI
51	AU4600T	12-30	EKO, PLQ COMBI
	AU4100T	12-30	KLV, KLQ, E COMBI
52	EL4100	12-30	KLV, KLQ, E COMBI
	EL4100A	12-30	KLV, KLQ, E COMBI
53	AU4600K	12-30	EKO, PLQ COMBI
54	HZ01	12-30	EKO, PLQ, KLV, KLQ, E COMBI
55	HZ29	12-30	EKO, PLQ COMBI
	HZ86	12-30	KLV, KLQ, E COMBI
56	HZ30	12-30	EKO, PLQ COMBI
	HZ86D	12-30	KLV, KLQ, E COMBI
57	HZ33	12-25	EKO, PLQ, KLV, KLQ, E COMBI
	HZ34	20-30	EKO, PLQ, KLV, KLQ, E COMBI
58	TE01	12-30	EKO, PLQ COMBI
	HZ86C	12-30	KLV, KLQ, E COMBI
59	HZ28	12-30	EKO, PLQ COMBI
60	HZ27	12-30	EKO, PLQ COMBI
61	HZ04	12-20	EKO, PLQ COMBI
	HZ05	12-20	KLV, KLQ, E COMBI
	HZ06	25-30	EKO, PLQ COMBI
	HZ07	25-30	KLV, KLQ, E COMBI
62	HZ26B	12-30	EKO, PLQ, KLV, KLQ, E COMBI
63	HZ71	12-20	EKO, PLQ, KLV, KLQ, E COMBI
	HZ72	25-30	EKO, PLQ, KLV, KLQ, E COMBI
64	HZ22	12-20	EKO, PLQ COMBI
	HZ23	12-20	KLV, KLQ, E COMBI
	HZ24	25-30	EKO, PLQ COMBI
	HZ25	25-30	KLV, KLQ, E COMBI
65	HZ81	12-20	EKO, PLQ, KLV, KLQ, E COMBI
	HZ82	25-30	EKO, PLQ, KLV, KLQ, E COMBI
66	HZ38	12-30	EKO, PLQ COMBI
	HZ39	12-30	KLV, KLQ, E COMBI
67	HZ49	12-30	EKO, PLQ, KLV, KLQ, E COMBI
68	HZ58	12-30	EKO, PLQ COMBI
	HZ58A	12-30	KLV, KLQ, E COMBI
69	AT20A	12-30	EKO, PLQ, KLV, KLQ, E COMBI

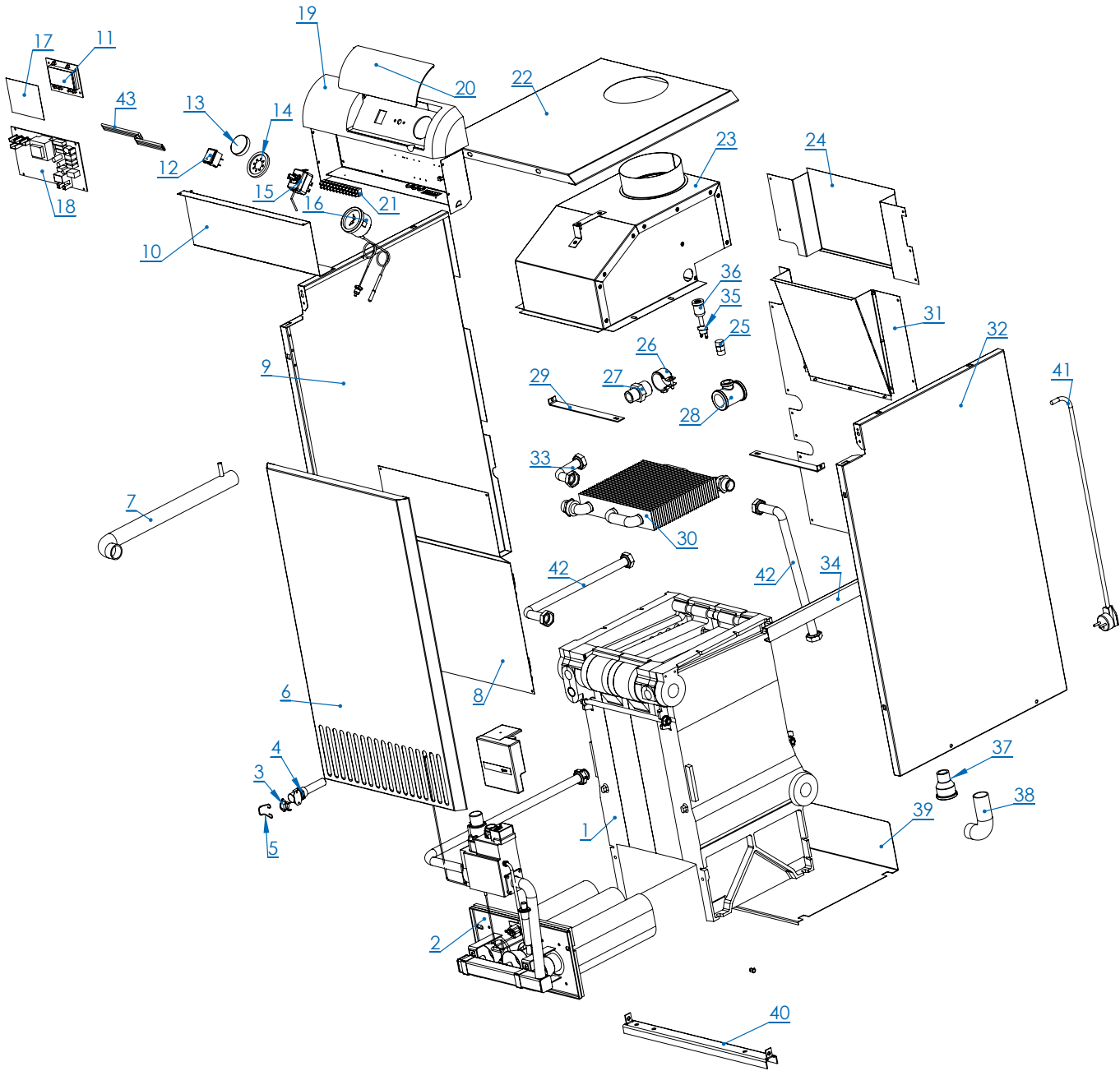
#55 - HZ29			
#	CODE	[kW]	TYPE
55.1	HZ59	9-50	EKO, PLQ COMBI
55.2	HZ59A	9-50	EKO, PLQ COMBI
55.3	HZ59B	9-50	EKO, PLQ COMBI
55.4	HZ59C	9-50	EKO, PLQ COMBI
55.5	HZ59D	9-50	EKO, PLQ COMBI

#55 - HZ86			
#	CODE	[kW]	TYPE
55.1	HZ86E	9-50	KLV, KLQ, E COMBI
55.2	HZ86A	9-50	KLV, KLQ, E COMBI
55.5	HZ86B	9-50	KLV, KLQ, E COMBI

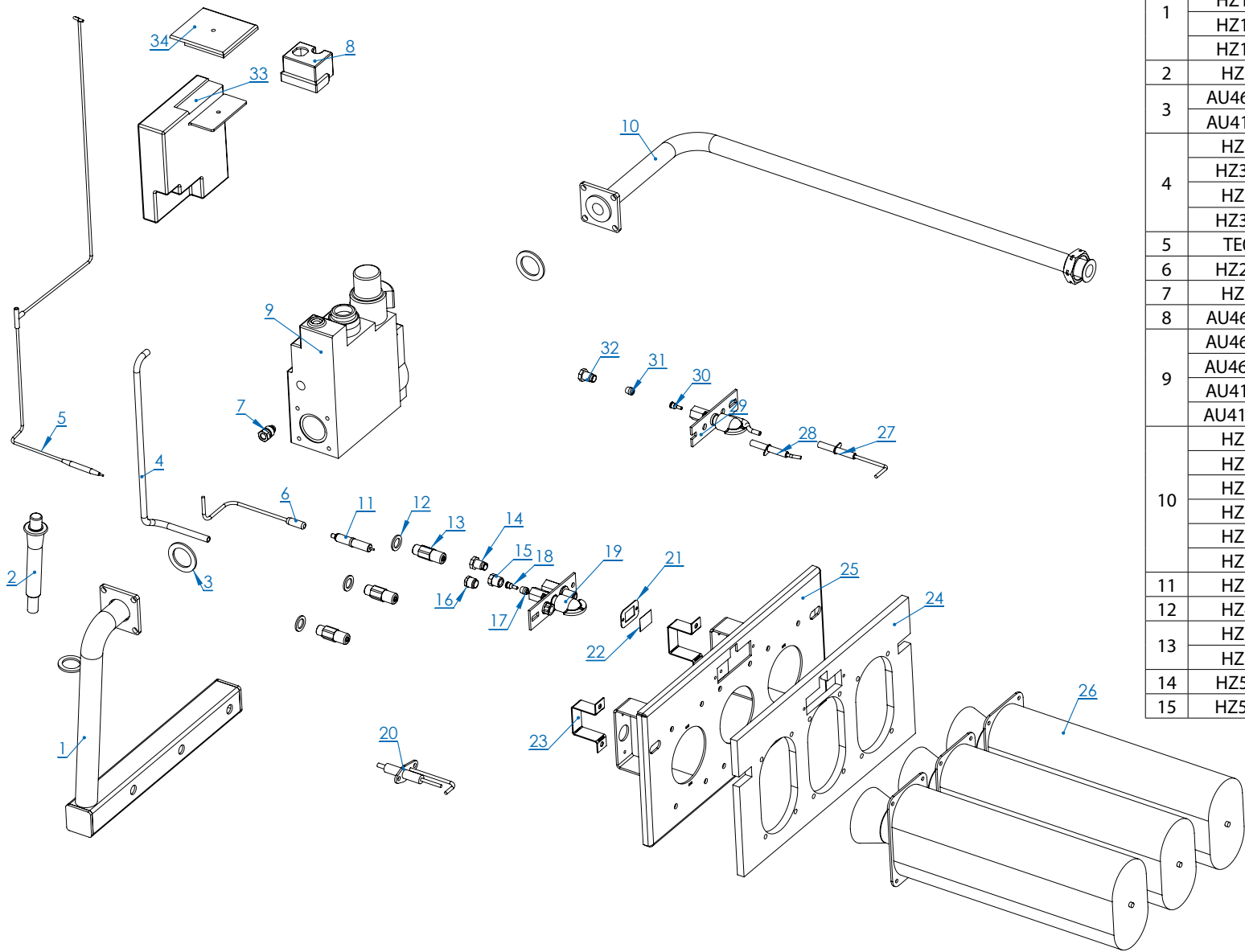




#	CODE	kW	TYPE
1	TS062	12,15,20	PLQCV,KLQC,EZCV,KLVCV,EKOCV,ECV
	TS063	25,30	PLQCV,KLQC,EZCV,KLVCV,EKOCV,ECV
1.1	TS145		
1.2	TS147		
1.3	TS146		
1.4	SR47B		
<b>2</b>			<b>PAGE 80</b>
3	TS215A		EKOCV,PLQCV
	TS215B		ECV,KLVCV,EZCV,KLQCV
4	TS102		
5	TS106		
6	TS569	20, 12	
	TS568	25, 30	
7	TS067B		
8	TS024	20, 12	
	TS025	25, 30	
9	TS567		
10	TS018A	20, 12	EKOCV,ECV,KLVCV,PLQCV,KLQCV
	TS019A	25, 30	
	TS538	15, 20	
	TS540	25, 30	EZCV
11	RZ23		
12	TS095		
13	TH24C		EKOCV,KLVCV,PLQCV,KLQCV
	TH24D		ECV
14	TS098P		KLQCV,EKOCV,KLVCV,PLQCV,ECV
	TS097B		PLQCV,KLQCV,EKOCV,KLVCV,
15	TH21		ECV
	TS099		
16	TS099		
17	RZ41C		
18	RZ24		EZCV
19	TS084	20, 12	PLQCV,ECV,KLQCV,EKOCV,KLVCV,ECV
	TS085	25, 30	
	TS225	15, 20	
	TS226	25, 30	
20	TS083		
	TS191		EKOCV
	TS195		PLQCV
	TS197A		EZCV
	TS190		ECV
	TS193		KLQCV
21	TS194		KLQCV
	TS008A	20, 12	
22	TS009	25, 30	
	TS913	20, 12	
23	TS912	25, 30	
	TS035C	20, 12	
24	TS036B	25, 30	

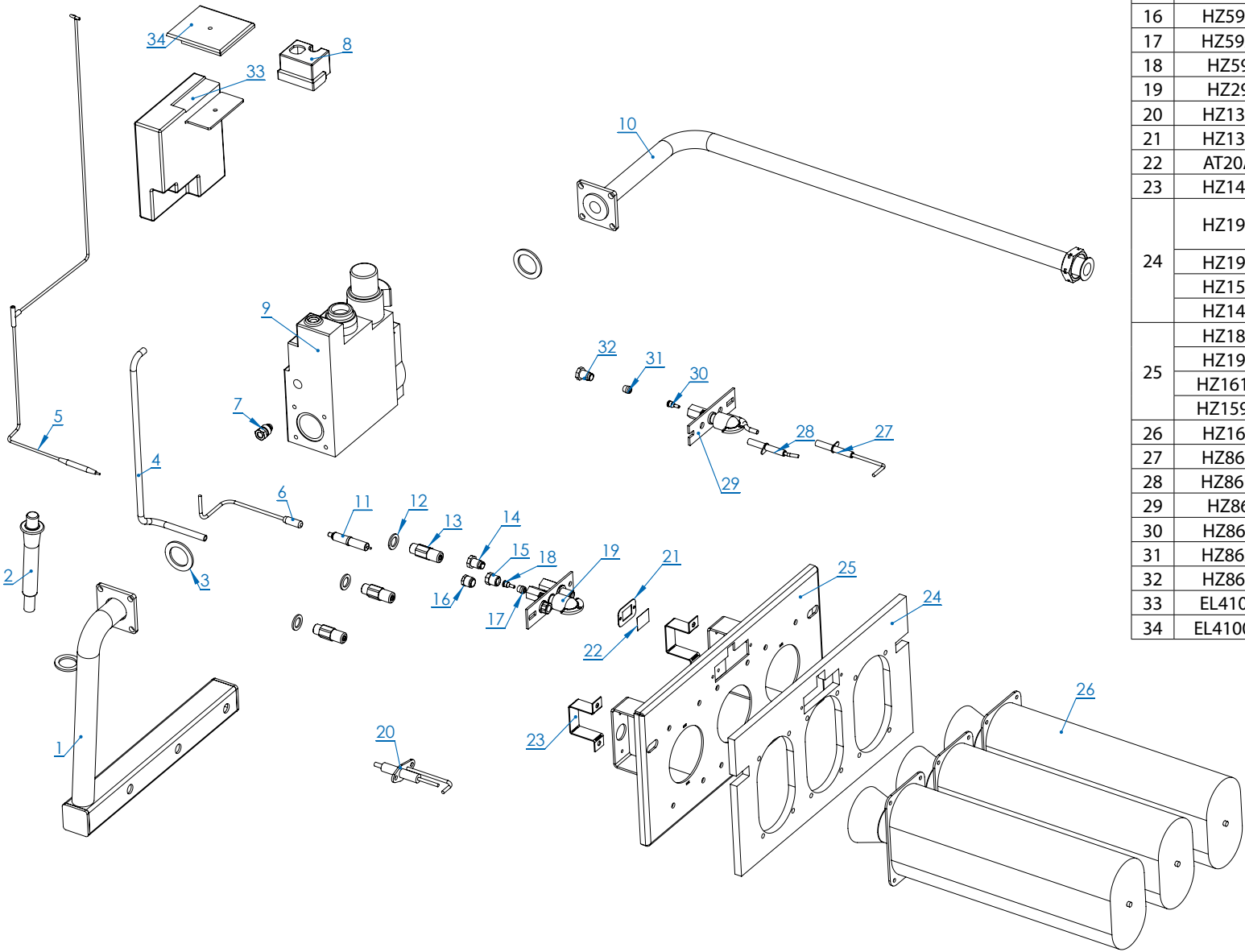


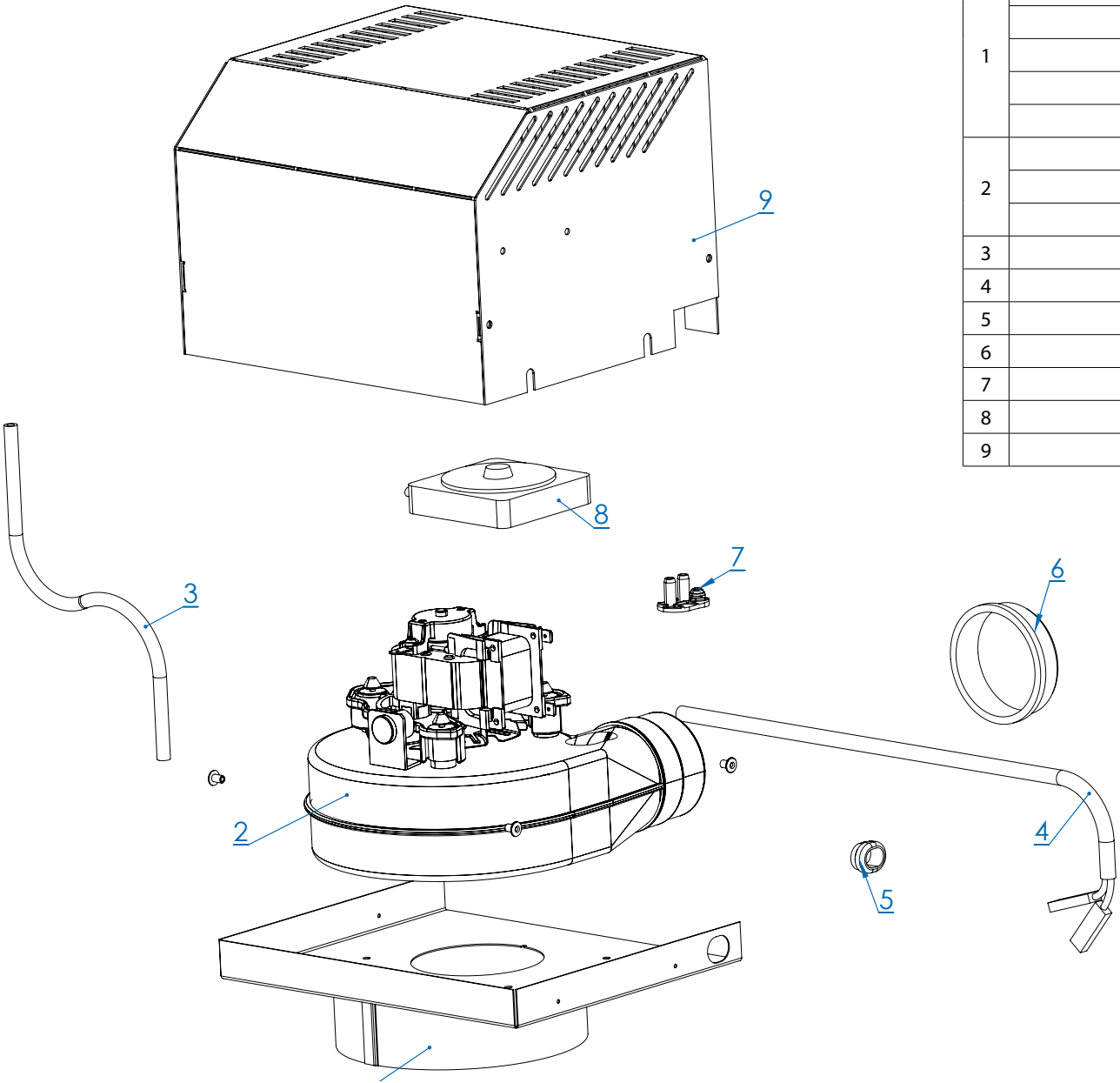
#	CODE	kW	TYPE
25	BL27A		
26	TS557		
27	TS556		
28	TS554A		
29	TS140A	20, 12	
	TS140B	25, 30	
30	TS570	20, 12	
	TS571	25, 30	
31	TS041C	20, 12	
	TS042C	25, 30	
32	TS566		
33	TS169	20, 12	
	TS168	25, 30	
34	TS107		
35	TH27A	12, 15	
	TS215B	20, 30	
36	TH19		
37	TS555		
38	TS068		
39	HZ154	20, 12	
	HZ140	25, 30	
40	TS052	20, 12	
	TS053	25, 30	
41	TS091		
42	TS168		
43	RZ21A		EZCV



#	CODE	kW	TYPE
1	HZ158	20, 12	EKOCV, PLQCV
	HZ153	25, 30	
	HZ157	20, 12	KLVCV, KLQCV, ECV, EZCV
	HZ148	25, 30	
2	HZ27		EKOCV, PLQCV
3	AU4600T		KLVCV, KLQCV, ECV, EZCV
	AU4100T		
4	HZ38	20, 12	EKOCV, PLQCV
	HZ38A	25, 30	
	HZ39	20, 12	KLVCV, KLQCV, ECV
	HZ39A	25, 30	
5	TE01		EKOCV, PLQCV
6	HZ28A		
7	HZ58		
8	AU4600K		
9	AU4600C		EKOCV
	AU4600Q		PLQCV
	AU4100C		KLVCV, KLQCV, ECV
	AU4105M		EZCV
10	HZ22	20, 12	EKOCV, PLQCV
	HZ24	25, 30	
	HZ23	20, 12	KLVCV, KLQCV, ECV
	HZ25	25, 30	
	HZ93	15, 20	EZCV
	HZ87	25, 30	
11	HZ30		EKOCV, PLQCV
12	HZ49		
13	HZ33	25, 12	
	HZ34	30	
14	HZ59C		EKOCV, PLQCV
15	HZ59D		

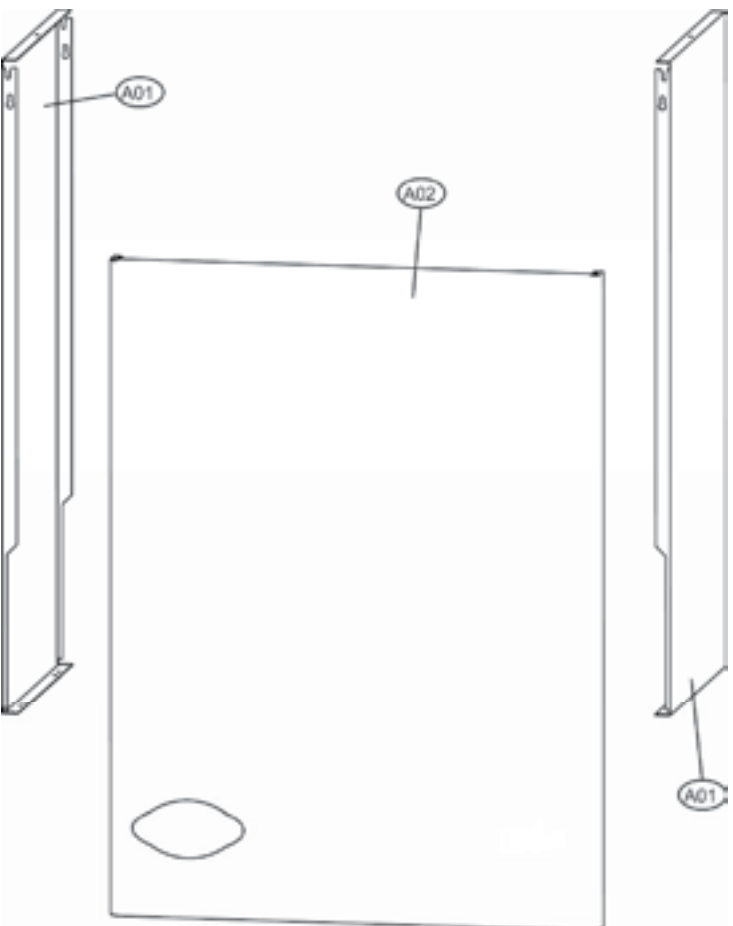
#	CODE	kW	TYPE
16	HZ59B		EKOCV,PLQCV
17	HZ59A		
18	HZ59		
19	HZ29		EZCV
20	HZ130		
21	HZ132		
22	AT20A		
23	HZ147		
24	HZ192	20, 12	EKOCV,PLQCV, KLVCV,KLQCV
	HZ193	25, 30	EZCV
	HZ156	15, 20	
25	HZ142	25, 30	
	HZ188	20, 12	
	HZ190	25, 30	
	HZ161A	15, 20	
	HZ159A	25, 30	
26	HZ163		KLVCV,KLQCV,ECV
27	HZ86C		
28	HZ86D		
29	HZ86		
30	HZ86E		
31	HZ86A		
32	HZ86B		
33	EL4100		KLVCV,KLQCV,ECV
34	EL4100A		





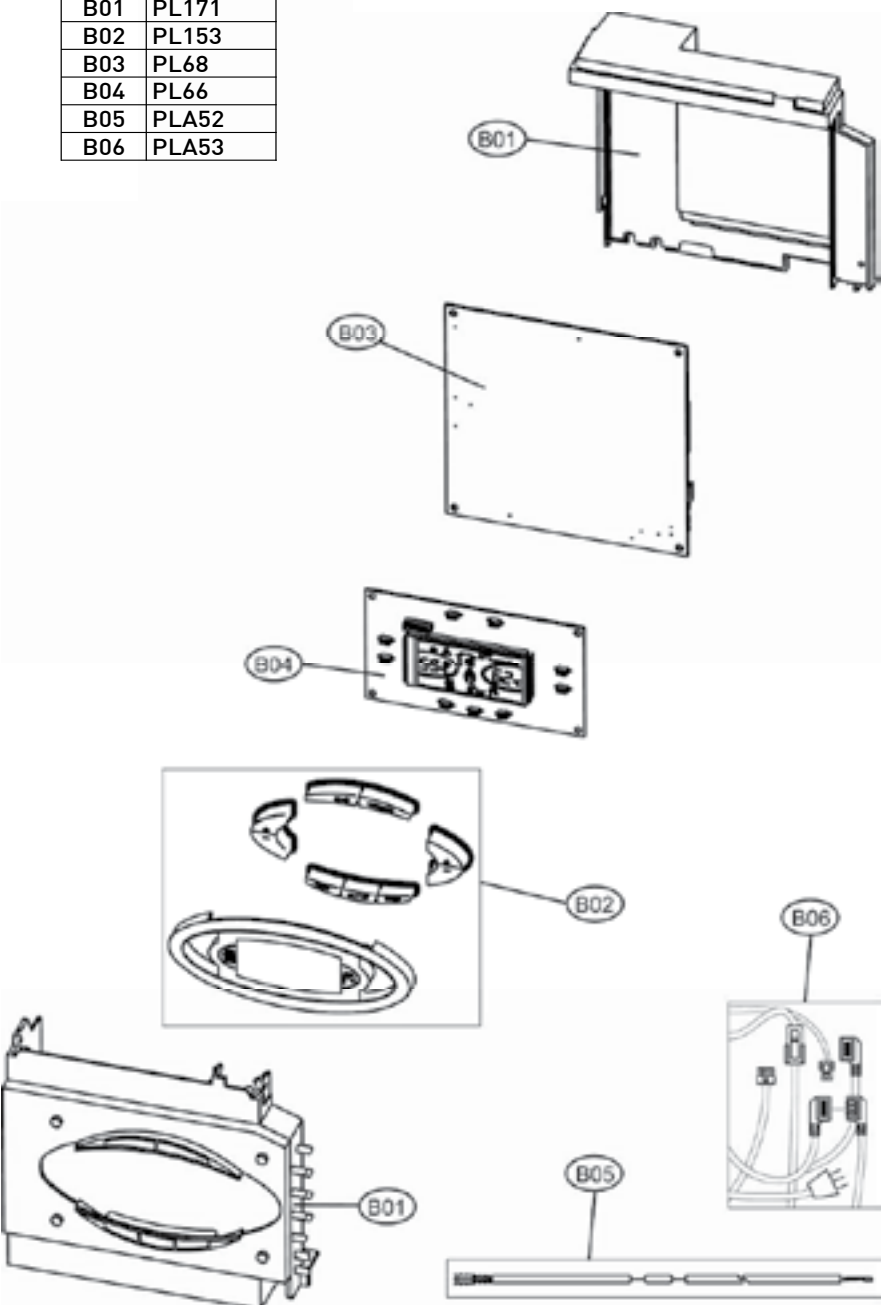
#	CODE	TYPE
1	SV02	TURBO20
	SV03	TURBO30
	SV04	TURBO35
	SV05	TURBO45
	SV06	TURBO50
2	SV07	TURBO20
	SV08	TURBO30,TURBO35
	SV09	TURBO45,TURBO50
3	SV13	
4	SV15	
5	TS094	
6	PR15	
7	SV10	
8	SV11D	
9	SV01B	

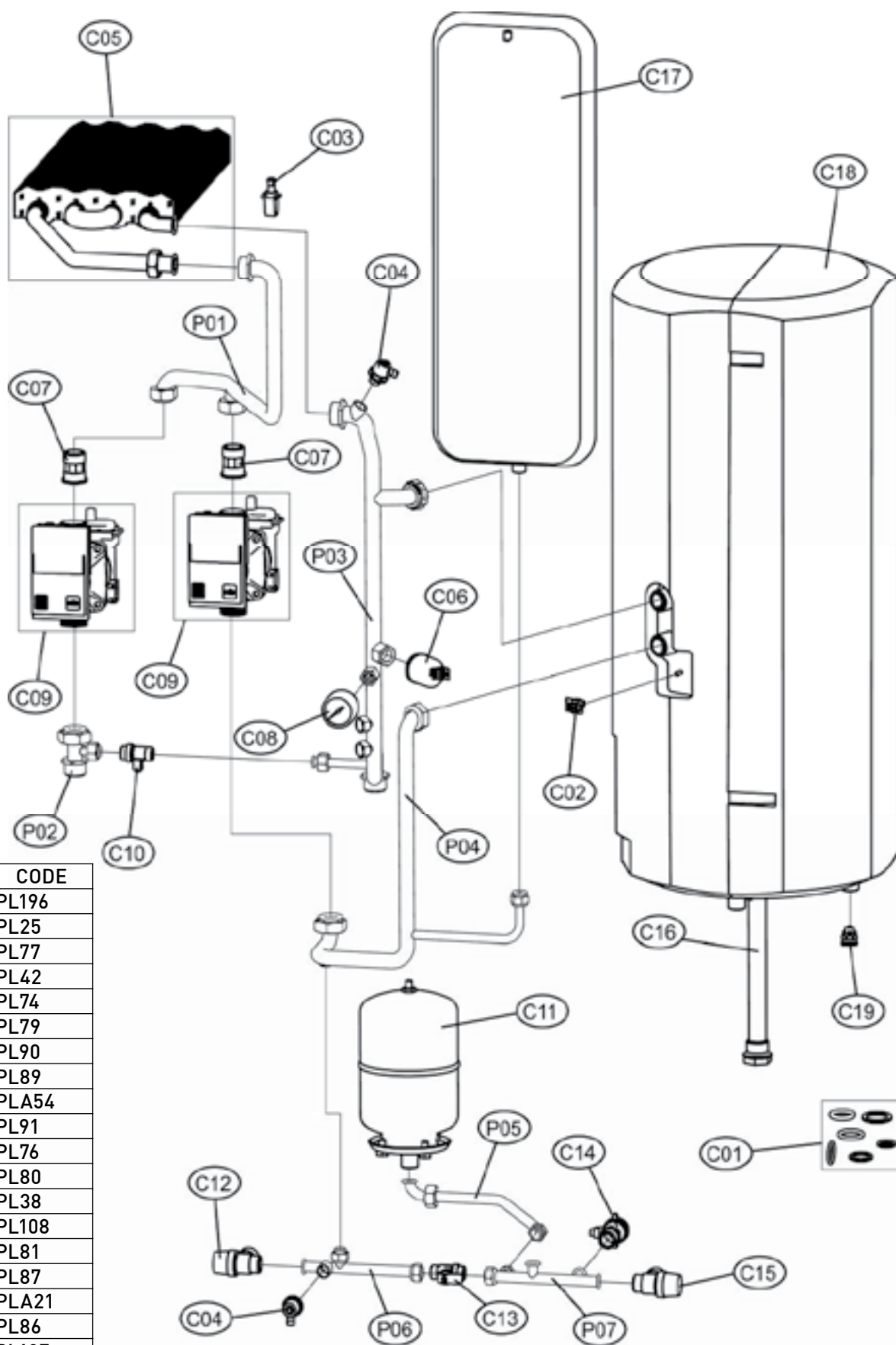
#	CODE
A01	PL141
A02	PL195



# ATTACK RZK Plus

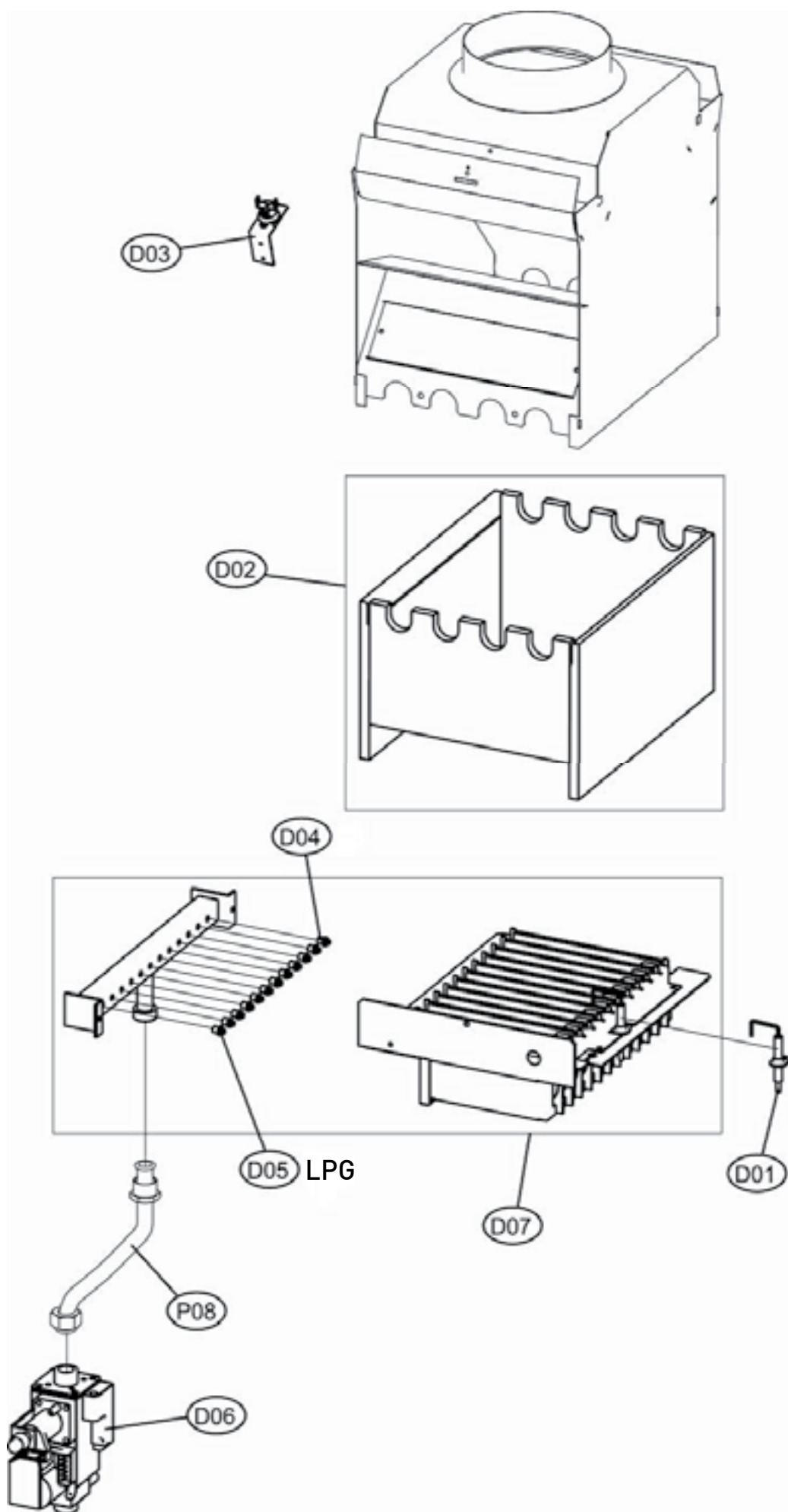
#	CODE
B01	PL171
B02	PL153
B03	PL68
B04	PL66
B05	PLA52
B06	PLA53



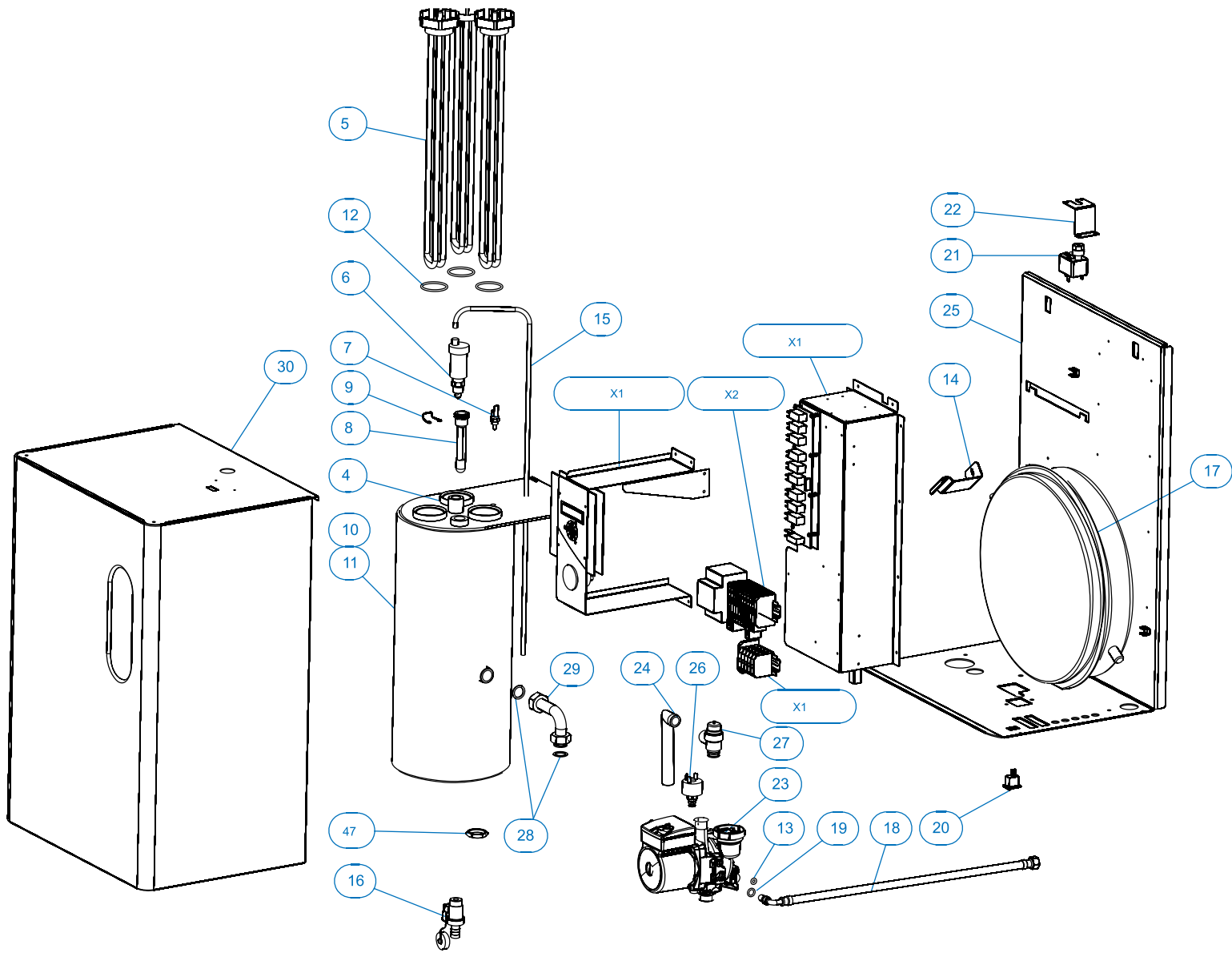


#	CODE
C01	PL196
C02	PL25
C03	PL77
C04	PL42
C05	PL74
C06	PL79
C07	PL90
C08	PL89
C09	PLA54
C10	PL91
C11	PL76
C12	PL80
C13	PL38
C14	PL108
C15	PL81
C16	PL87
C17	PLA21
C18	PL86
C19	PL107
P01	PL215
P02	PL217
P03	PLA55
P04	PL218
P05	PL219
P06	PL220
P07	PL221

#	CODE
D01	PL97
D02	PL109
D03	PL197
D04	PL106
D05	PL105
D06	PL98
D07	PL111
P08	PL222

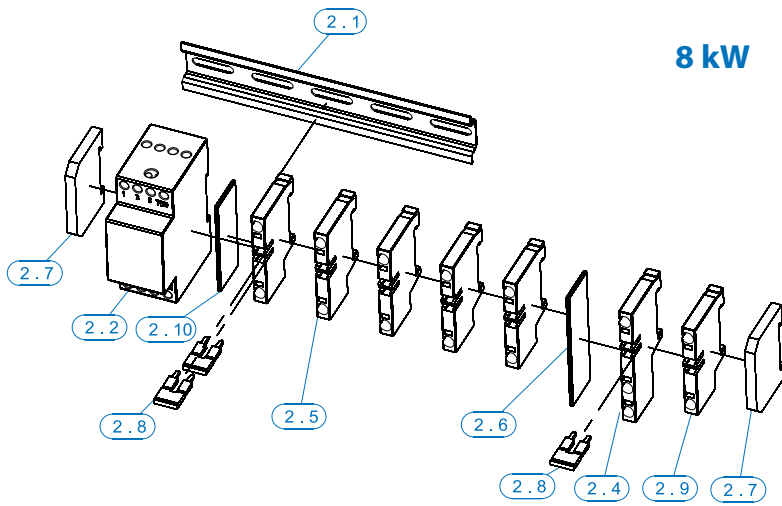






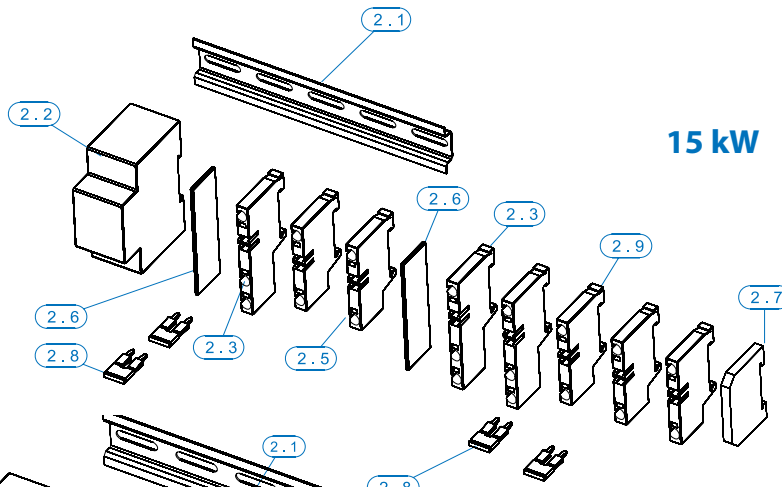
#	CODE	
4	EK025	24
	EK025A	15
	EK025B	8
5	EK026	
6	EK027	
7	EK028	
8	EK029	
9	EK030	
10	EK031	
11	EK032	
12	EK033	
13	EK034	
14	EK035	
15	EK036	
16	EK037	
17	EK038	
18	EK039	
19	EK040	
20	EK04	
21	EK04	
22	EK043	
23	EK044	do/to 10/2015
	EK102	od/from 11/2015
24	EK045	
25	EK046	
26	EK047	
27	EK048	
28	EK049	
29	EK050	
30	EK051	
47	EK068	

## X2

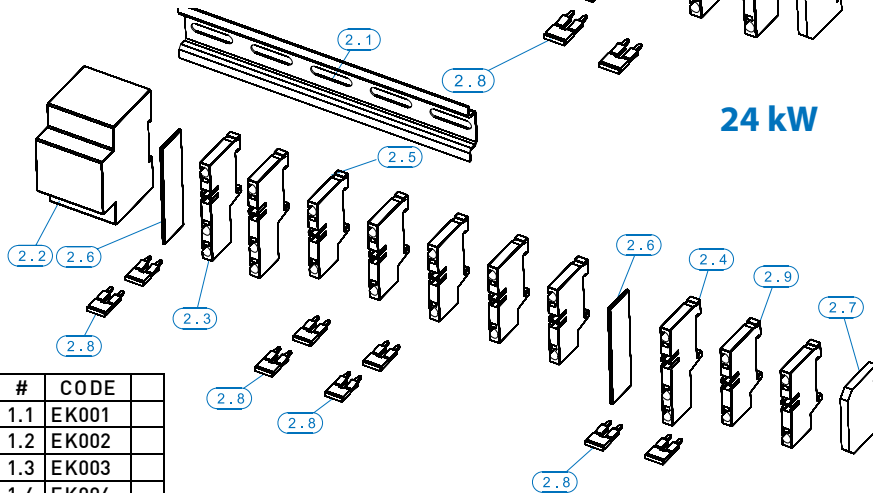


8 kW

#	CODE	
2.1	EK011	
2.2	EK012	24
2.2	EK012A	15
2.2	EK012B	8
2.3	EK013	
2.4	EK014	
2.5	EK015	
2.6	EK016	
2.7	EK017	
2.8	EK018	
2.9	EK019	
2.10	EK020	

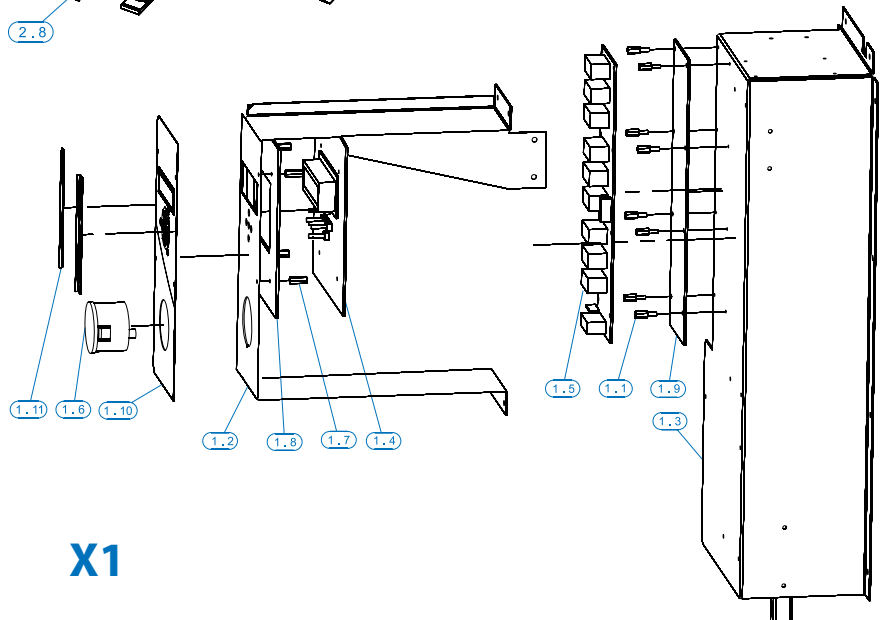


15 kW

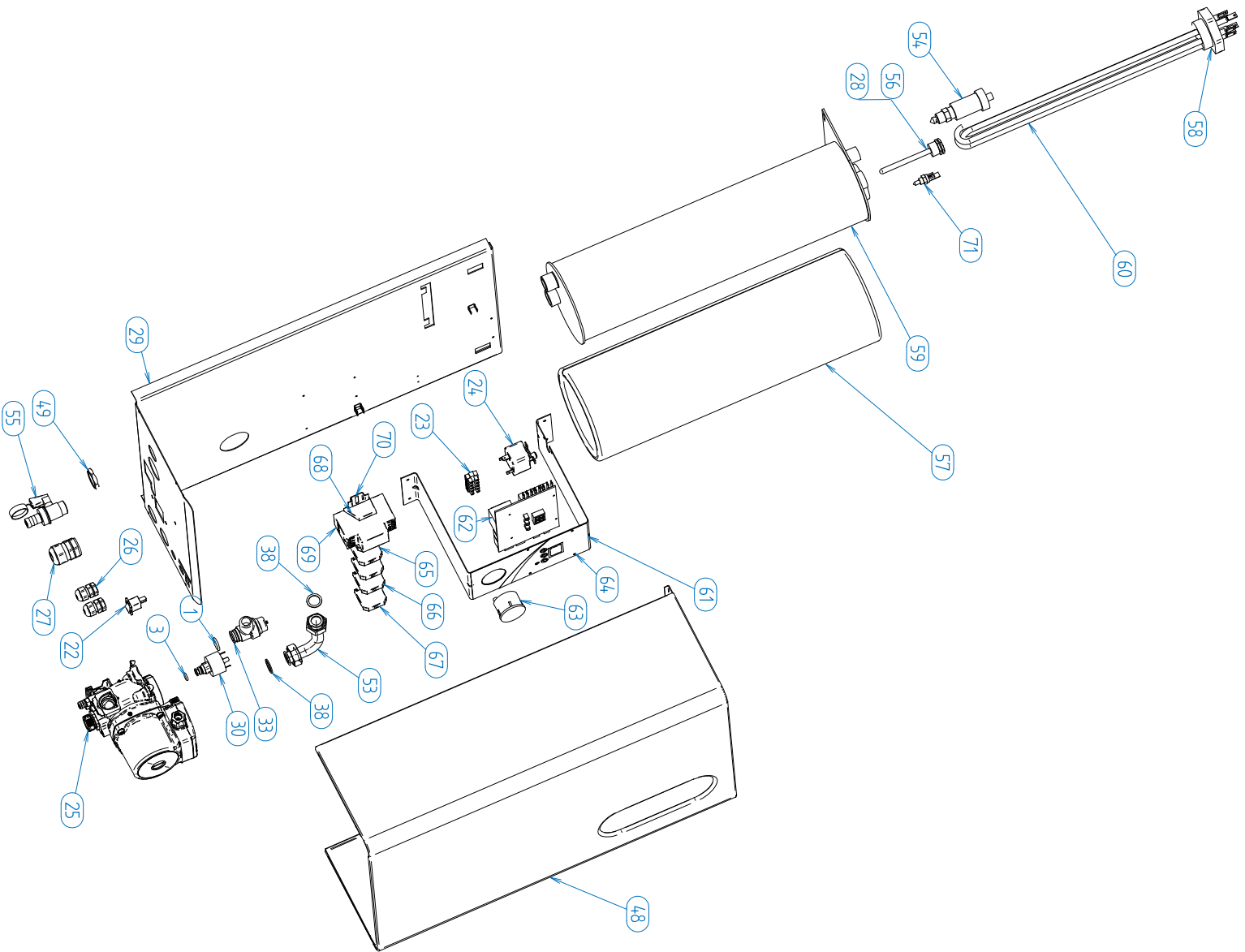


24 kW

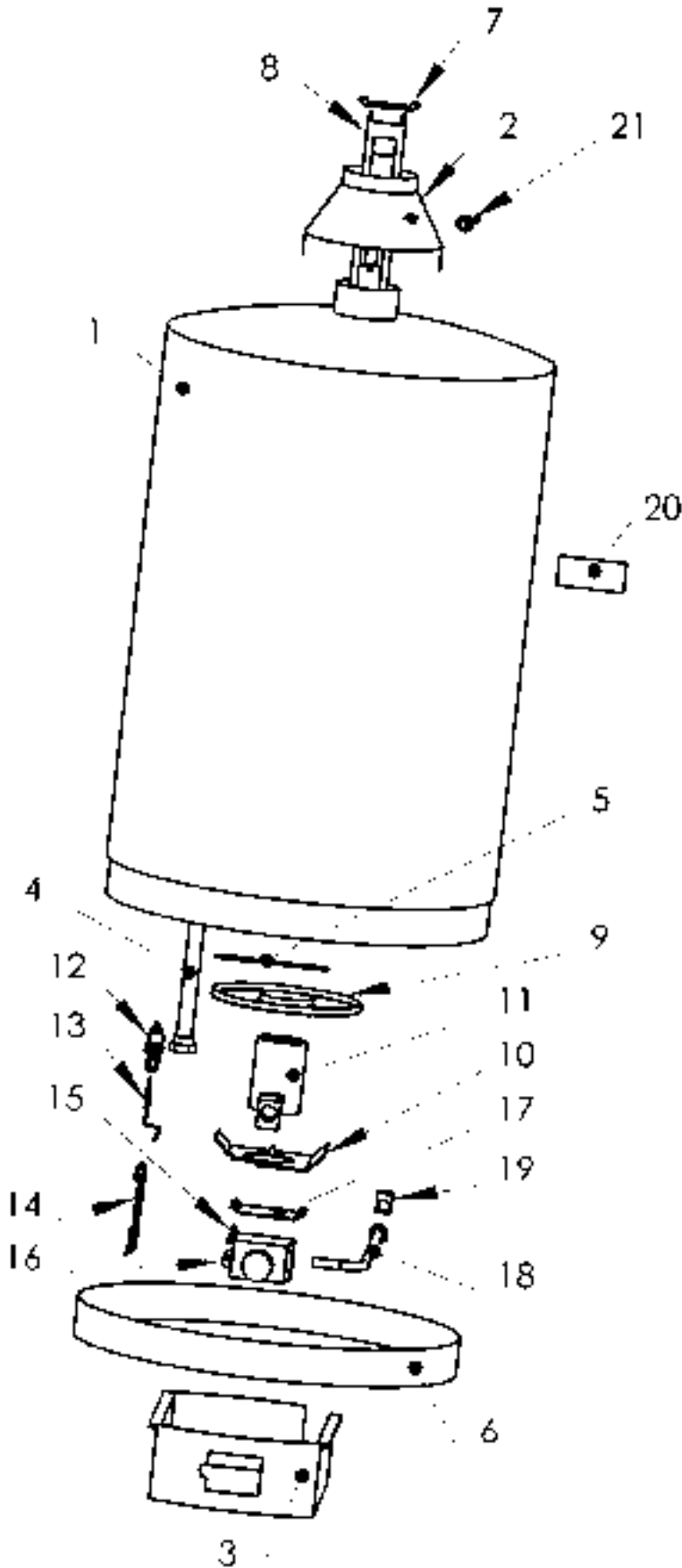
#	CODE	
1.1	EK001	
1.2	EK002	
1.3	EK003	
1.4	EK004	
1.5	EK005	24
1.5	EK005A	15
1.5	EK005B	8
1.6	EK006	
1.7	EK007	
1.8	EK008	
1.9	EK009	
1.10	EK069	
1.11	EK010	
2.1	EK011	
2.2	EK012	24
2.2	EK012A	15
2.2	EK012B	8
2.3	EK013	
2.4	EK014	
2.5	EK015	
2.6	EK016	
2.7	EK017	
2.8	EK018	
2.9	EK019	



## X1



#	CODE	
1	EK074	
3	EK073	
22	EK041	
23	EK090	
24	EK042	
25	EK044	do/to 10/2015
	EK102	od/from 11/2015
26	EK091	
27	EK092	
28	EK030	
29	EK094	
30	EK047	
33	EK048	
38	EK049	
48	EK095	
49	EK068	
53	EK050	
54	EK027	
55	EK037	
56	EK029	
57	EK096	
58	EK097	
59	EK098	
60	EK026	
61	EK099	
62	EK100	
63	EK006	
64	EK101	
65	EK022	
66	EK023	
67	EK024	
68	EK017	
69	EK012B	
70	EK093	
71	EK028	

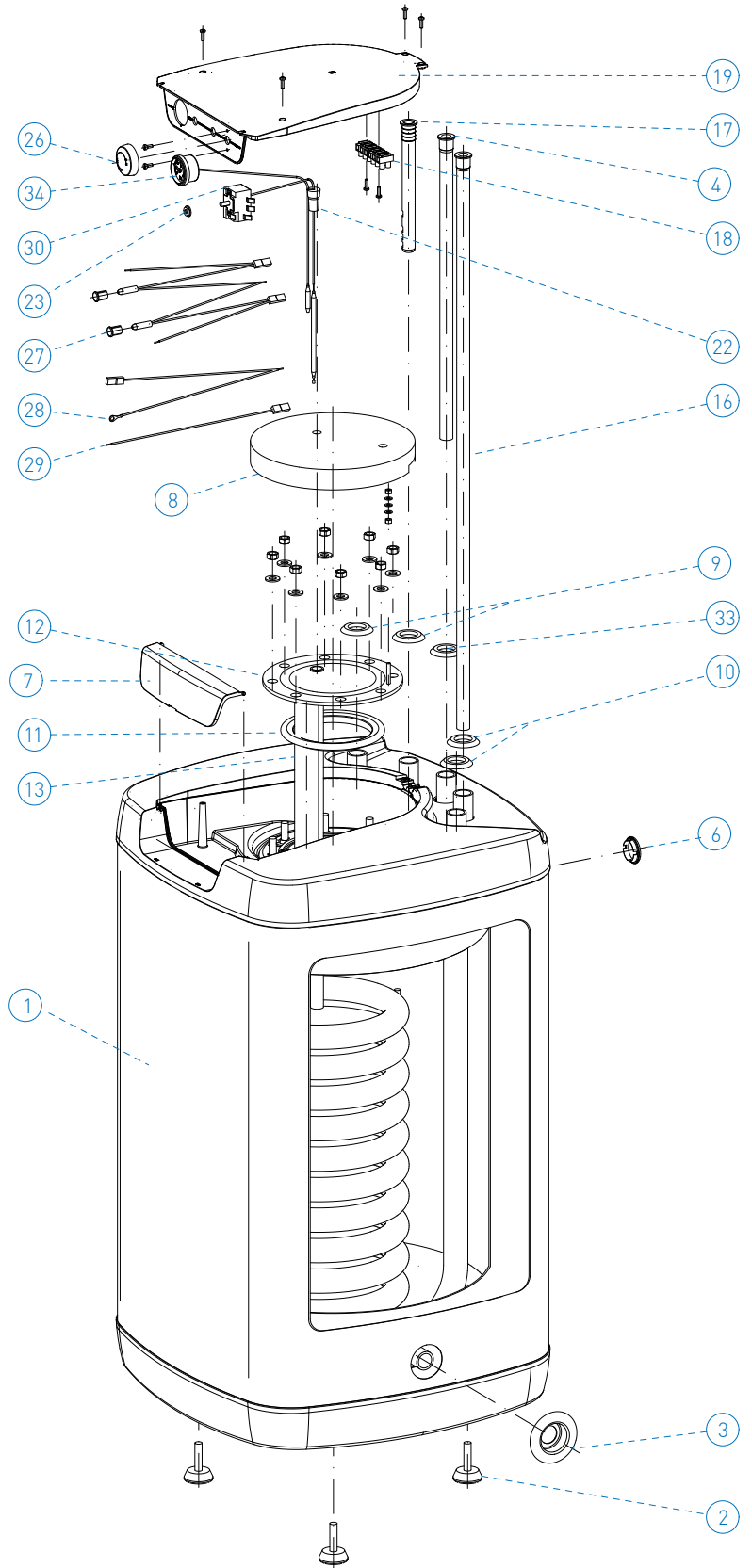
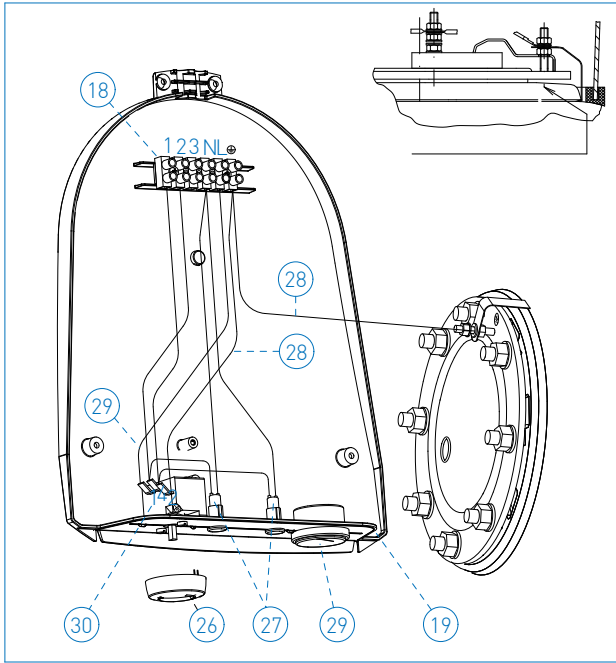


#	TYPE	CODE
1	PZO 80	PZ001C
	PZO 120	PZ002C
	PZO 150	PZ003C
2	ALL	PZ46
3	ALL	PZ39
4	PZO 80	PZ47
	PZO 120	PZ48
	PZO 150	PZ49
5	ALL	PZ50
6	ALL	PZ31
7	ALL	PZ51
8	PZO 80	PZ52
	PZO 120, 150	PZ53
9	ALL	PZ54
10	ALL	PZ55
11	PZO 80, 120	PZ56
	PZO 150	PZ57
12	ALL	PZ58
13	ALL	PZ34
14	ALL	PZ59
15	ALL	PZ60
16	ALL	PZ36
17	ALL	PZ61
18	ALL	PZ62
19	ALL	PZ63
20	ALL	PZ40
21	ALL	PZ64



#	CODE	TYPE
1	PZ001C	PZO80
	PZ002C	PZO120
	PZ003C	PZO150
2	PZ52	PZO80
	PZ53	PZO120, PZO150
3	PZ51	
4	PZ46	
5	PZ40	
6	PZ64	
7	PZ31	
8	PZ47	PZO80
	PZ48	PZO120
	PZ49	PZO150

#	CODE	TYPE
9	PZ62	
10	PZ56	PZO80, PZO120
	PZ57	PZO150
11	PZ34	
12	PZ59	
13	PZ36	
14	PZ37	



#	CODE
1	ZP001
2	ZP002
3	ZP003
4	ZP004
6	ZP005
7	ZP006
8	ZP007
9	ZP008
10	ZP009
11	ZP010
12	ZP011
13	ZP012
16	ZP013
17	ZP014
18	ZP015
19	ZP016
22	ZP017
23	ZP018
26	ZP019
27	ZP020
28	ZP021
29	ZP022
30	ZP023
33	ZP024
34	ZP025

Príjemcovia  
Medzinárodného odborného súťažia v oblastiach  
energie, klimatizácie, ventilačnej a ekologického technológií

**aqua-therm**  
Slovo pohľadom

**ČESTNÉ UZNANIE**  
ZA NAJLEPŠÍ EXPONÁT  
PELETIZOVANÝ LAMINOVÝ STROJNÝKOTEL  
ATTACK TERMOMOGAS 20 SÚV SÚV  
PELETIZOVANÝ

v oblasti: **VYKUROVANIE**  
vystavovateľovi: **TERMOGAS VRÚTKY**

**RACIOENERGIA 2005**  
15. medzinárodný súťaž energetických aplikácií  
a racionalizácie využitia energie

**RACIOENERGIA**  
5. - 9. 4. 2005  
Generálny riaditeľ: a.s. INOHEBA,  
Generálne riaditeľka: OĽGA  
a Súťažná komisia  
15. medzinárodného súťaže energetických  
aplikácií a racionalizácie využitia energie

udelili  
**ČESTNÉ UZNANIE**  
Typová: Katalýzovaný plynový kotol ATTACK KT  
Vytvoriteľ: spoločnosť Termogas Radoš Baka, Vrútky

**RACIOENERGIA 2006**  
16. medzinárodný súťaž energetických aplikácií  
a racionalizácie využitia energie

**RACIOENERGIA**  
04.04.2006 - 08.04.2006  
Generálny riaditeľ: Incheba, a.s.  
Generálny riaditeľ: OĽGA  
Súťažná komisia  
16. medzinárodného súťaže energetických  
aplikácií a racionalizácie využitia energie

udelili  
**ZLATÚ PLAKETU**  
Typová: Šesťvýchýľkový kotol ATTACK DP PROFÍ  
Vytvoriteľ: ATTACK s.r.o., Vrútky  
Výrobca: ATTACK s.r.o., Vrútky

**RACIOENERGIA**  
19. MEDZINÁRODNÝ SUŤAŽ V OBLASTI ENERGETIKY  
31. 3. - 4. 4. 2009

Generálny riaditeľ  
INOHEBA EXPO BRATISLAVA  
Súťažná komisia: energetických aplikácií  
a Súťažná komisia  
19. súťaže využitia energie

udelili  
**ZLATÚ PLAKETU**  
Typová: Peletizačný kotol  
ATTACK PELLET 20  
vystavovateľ: spoločnosť  
Attack s.r.o. Vrútky

**RACIOENERGIA**  
21. MEDZINÁRODNÝ SUŤAŽ ENERGETIKY  
29. 3. - 2. 4. 2011

Generálny riaditeľ  
INOHEBA EXPO BRATISLAVA  
Súťažná komisia: energetických aplikácií  
a Súťažná komisia  
21. súťaže využitia energie

udelili  
**ZLATÚ PLAKETU**  
Typová: ATTACK DPX 25 PROFÍ  
vystavovateľ:  
ATTACK, s.r.o. Vrútky  
Výrobca:  
ATTACK, s.r.o. Vrútky

**INOVÁCIA ŽILINSKÉHO KRAJA 2013**  
podľa hodnotenia

**ĎAKUJE**  
spoločnosť  
**ATTACK, s.r.o.**

za prínos v oblasti  
inovatívneho rozvoja Žilinského kraja

Ing. Jozef Blahos  
predseda Žilinského samosprávneho kraja

**RACIOENERGIA**  
23. MEDZINÁRODNÝ SUŤAŽ ENERGETIKY  
1. - 5. 4. 2008

Generálny riaditeľ  
INOHEBA EXPO BRATISLAVA  
Súťažná komisia: energetických aplikácií  
a Súťažná komisia  
23. súťaže využitia energie

udelili  
**ZLATÚ PLAKETU**  
Typová: Peletizačný kotol  
ATTACK PELLET 20  
vystavovateľ: spoločnosť  
Attack s.r.o. Vrútky

Veľtrhy Brno, a.s.  
udelili

**Zlatou medaili  
SHK BRNO 2012**

Exponát:  
**ATTACK PELLET  
AUTOMATIC PLUS**  
Kotol na spaľovaní drevných pelet

Vytvoriteľ:  
ATTACK, s.r.o.

Výrobca:  
ATTACK, s.r.o.

**ATTACK, s.r.o.**  
IČO: 3646489    DIČ: SK-214054726

**SELECTED PREMIUM  
COMPANY  
2018**

duň & bredtstreet  
Spartan

21.3.2019



**HEAT TECHNOLOGY MANUFACTURER**



**ATTACK, s.r.o.**  
Dielenská Kružná 5020  
038 61 Vrútky  
Slovenská republika  
+421 43 4003 101  
kotle@attack.sk



**SLOVENSKÝ VÝROBCA**



**SK:** Všetky uvedené informácie sú dočasné, podliehajú zmenám bez predchádzajúceho upozornenia a slúžia len na účely predbežného oznámenia. Možné sú odchýlky v zobrazení produktov a nemusia sa zhodovať s ponukou a s radom vybavenia pre rôzne trhy. Spoločnosť ATTACK s.r.o. si vyhradzuje právo na vykonanie zmien v špecifikáciách a v obsahu bez predchádzajúceho upozornenia. Obrázky a technické údaje k výrobkom sú len informačné. Zmena cien a ponuky vyhradená. **CZ:** Všetchny uvedené informace jsou dočasné, podléhají změnám bez předchozího upozornění a slouží pouze pro účely předběžného oznámení. Možné jsou odchylky v zobrazení produktů a nemusí se shodovat s nabídkou a s řadou vybavení pro různé trhy. Společnost ATTACK s.r.o. si vyhrazuje právo na provedení změn ve specifikacích a v obsahu bez předchozího upozornění. Obrázky a technické údaje k výrobkům jsou pouze informační. Změna cen a nabídky vyhrazena. **EN:** All provided information is temporary, subject to change without notice and for informational purposes only. Variations in product visual display are possible and may not match the offer and range of equipment for different markets. ATTACK s.r.o. reserves the right to make changes to specifications and content without prior notice. Pictures and product specifications are only informative. Price and offer changes are reserved. **DE:** Alle genannte Informationen sind einstweilig und können ohne vorherige Ankündigung geändert werden. Sie dienen nur zu Informationszwecken. Abweichungen in der Produktanzeige sind möglich und stimmen möglicherweise nicht mit dem Angebot und dem Ausstattungsspektrum für verschiedene Märkte überein. ATTACK s.r.o. behält sich das Recht vor, Änderungen an technischen Daten und Inhalten ohne vorherige Ankündigung vorzunehmen. Abbildungen und Produktspezifikationen dienen nur zur Information. Preis- und Angebotsänderung vorbehalten. **RO:** Conținutul acestui site este supus actualizării fara o atenționare prealabilă și este folosit numai pentru informare. Imaginile produselor sunt prezentate cu titlu de exemplu, iar produsele pot diferi de imaginile în funcție de oferta destinată către piețe diferite. Compania ATTACK s.r.o. își rezervă dreptul de a face schimbări în specificații și conținut fara o informare prealabilă. Imaginile și detaliile tehnice ale produselor sunt exclusiv pentru informare. Modificarea prețurilor și a ofertei, rezervată

**www.attack.sk**



heatingattack



kotleATTACK